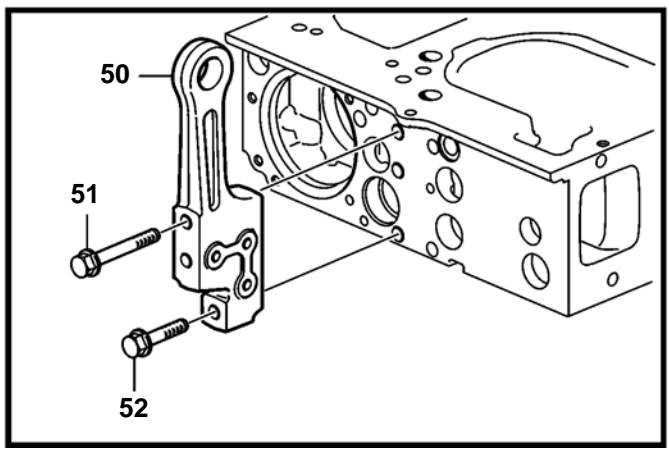
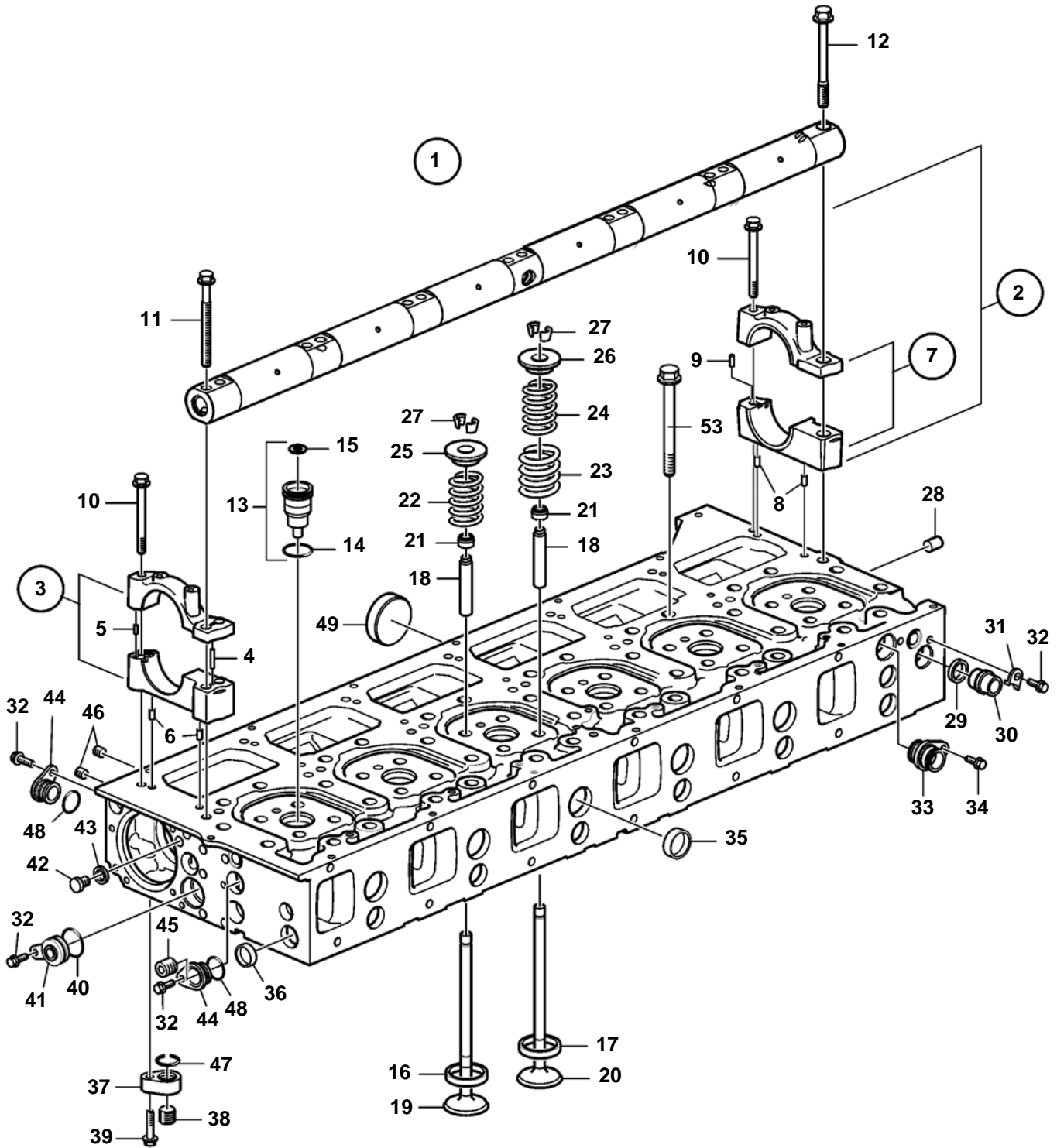


D16C-A MG, D16C-A MG RC

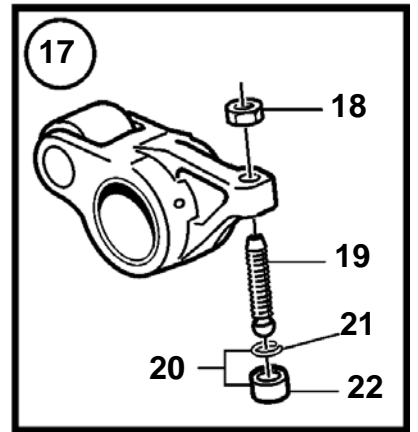
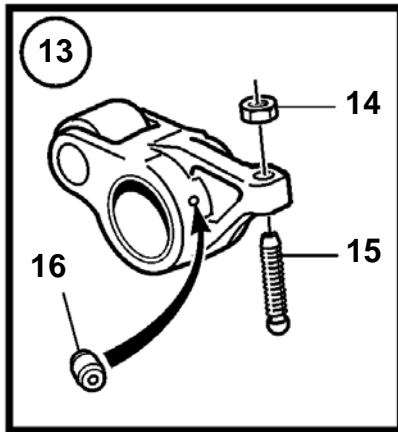
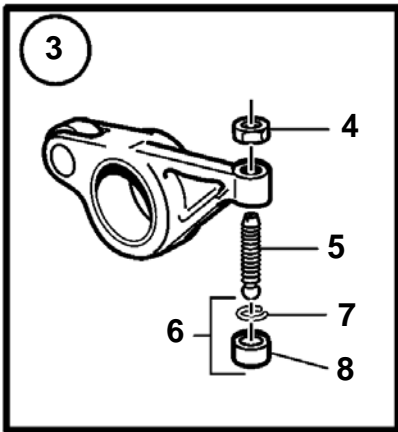
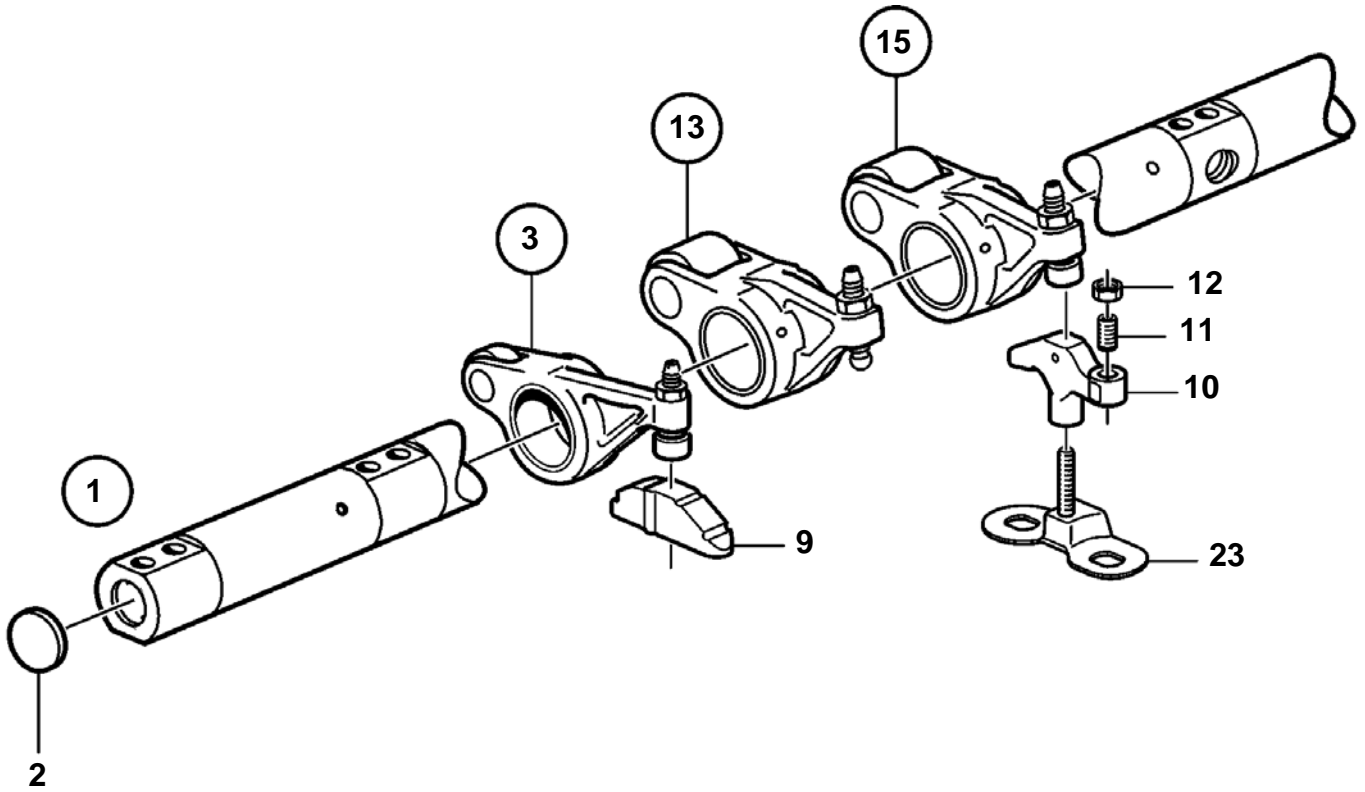


23113

## D16C-A MG, D16C-A MG RC

REF	PART NO.	QTY	DESCRIPTION	NOTES
1	3801264	1	Cylinder head	(3801139)
2	3184068	1	· Bearing housing	When replacing one or more bearing houses the first time, all of the bearing houses must be replaced. Then each bearing house can be replaced separat
3	20946882	6	· Bearing housing	When replacing one or more bearing houses the first time, all of the bearing houses must be replaced. Then each bearing house can be replaced separat
4	950550	6	· · Pin	When replacing one or more bearing houses the first time, all of the bearing houses must be replaced. Then each bearing house can be replaced separat
5	950542	6	· · Pin	When replacing one or more bearing houses the first time, all of the bearing houses must be replaced. Then each bearing house can be replaced separat
6	950562	12	· · Pin	
7	20946876	1	· Bearing housing	
8	950562	2	· · Pin	
9	950542	1	· · Pin	
10	975105	7	· Flange screw	
11	20533693	12	· Screw	
12	20412482	1	· Flange screw	
13	21098621	6	· Injector sleeve	(85104134)
14	20536487	1	· · O-ring	
15	21261987	1	· · Washer	
16	20709467	12	· Valve seat	INLET
17	20564028	12	· Valve seat	EXHAUST
18	20916916	24	· Valve guide	Replaced by 21067953
	21067953	24	· Valve guide	
19	20739057	12	· Inlet valve	INLET
20	20513285	12	· Exhaust valve	EXHAUST
21	20924435	24	· Valve stem seal	(20787121)
22	21326667	12	· Valve spring	INLET
23	21310071	12	· Valve spring	EXHAUST
24	21324296	12	· Valve spring	EXHAUST
25	20551394	12	· Valve spring washer	INLET
26	20551396	12	· Valve spring washer	EXHAUST
27	8170995	48	· Valve collet	
28	968062	1	· Plug	
29	1547252	2	· Sealing ring	
30	20845995	1	· Plug	
31	1546531	1	· Lock brace	
32	947107	4	· Flange screw	
33	20429993	1	· Pass-through	
34	946440	1	· Flange screw	
35	24426722	6	· Cap plug	
36	24426721	14	· Cap plug	
37	3819529	1	· Adapter	
38	968146	1	· Plug	
39	946671	1	· Flange screw	
40	975667	1	· O-ring	
41	3812456	1	· Adapter	For cylinder head 3801139
	21160741	1	· Adapter	For cylinder head 3801264
42	960628	1	· Plug	
43	947281	1	· Gasket	
44	3887007	2	· Adapter	
45	968063	1	· Plug	
46	968061	2	· Plug	
47	949657	1	· O-ring	
48	1547252	2	Sealing ring	
49	24426723	3	Cap plug	
50		1	Lifting eye	
51		2	Flange screw	
52		1	Flange screw	
53	1547040	38	Screw	

D16C-A MG, D16C-A MG RC

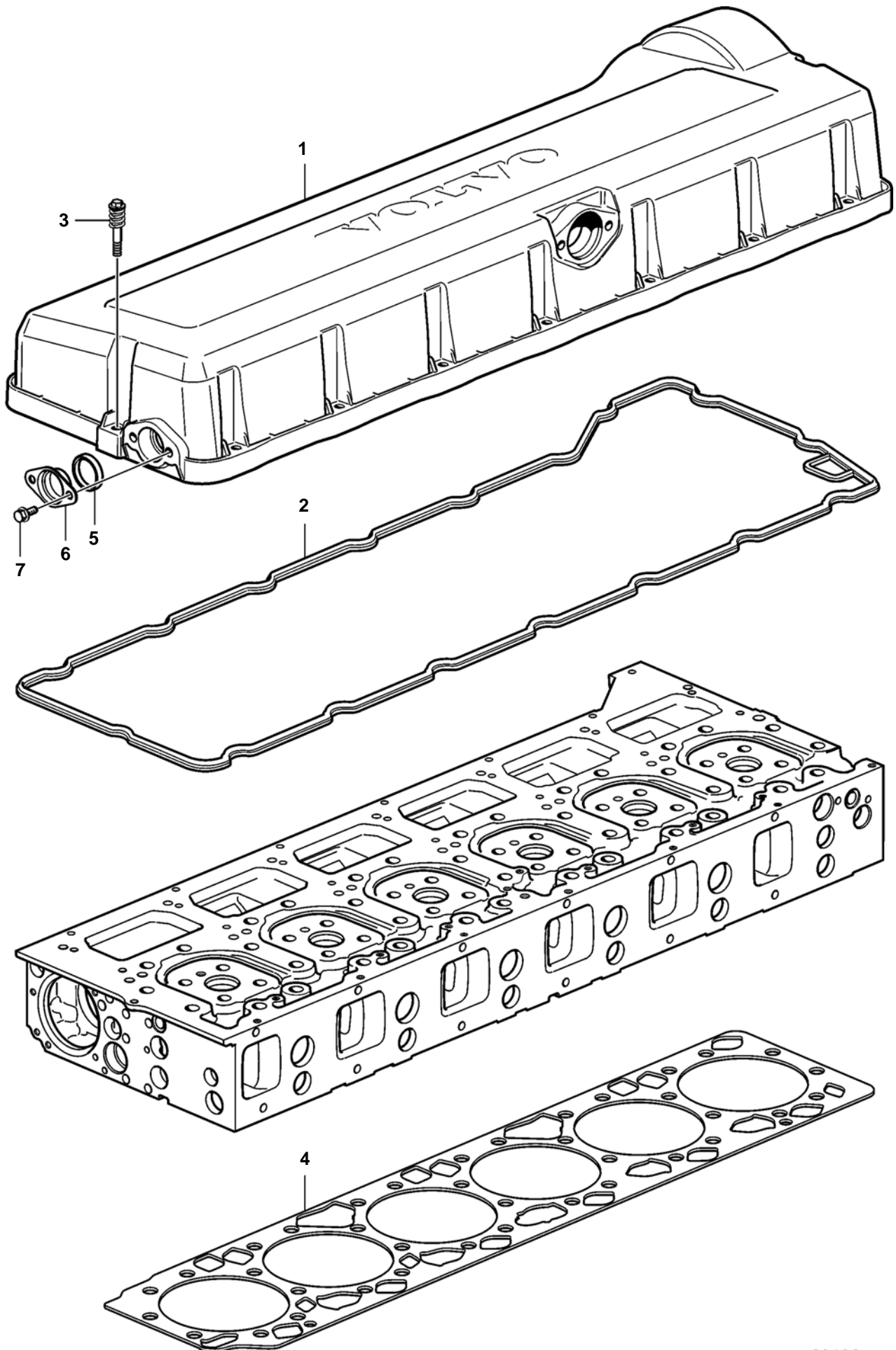


23129

## D16C-A MG, D16C-A MG RC

REF	PART NO.	QTY	DESCRIPTION	NOTES
1	24426580	1	Rocker arm shaft	
2	955096	2	· Expansion plug	
3	20887766	6	Rocker arm	
4	946911	1	· Hexagon nut	
5		1	· Adjusting screw	
6	20441753	1	· Ball socket	
7	944364	1	· · O-ring	
8		1	· · Ball seat	
9	20463791	6	Valve yoke, intake	
10	20857578	6	Valve yoke, exhaust	
11	20551362	6	· Adjusting screw	
12	946911	6	· Hexagon nut	
13	20888119	6	Rocker arm	
14	1677396	1	· Hexagon nut	
15		1	· Adjusting screw	
16	3964817	1	· Jet	
17	20888089	6	Rocker arm	Replaced by 21161745
	21161745	6	Rocker arm	
18	946911	1	· Hexagon nut	
19		1	· Adjusting screw	
20	20441753	1	· Ball socket	
21	944364	1	· · O-ring	
22		1	· · Ball seat	
23	20554268	6	Guide pin	

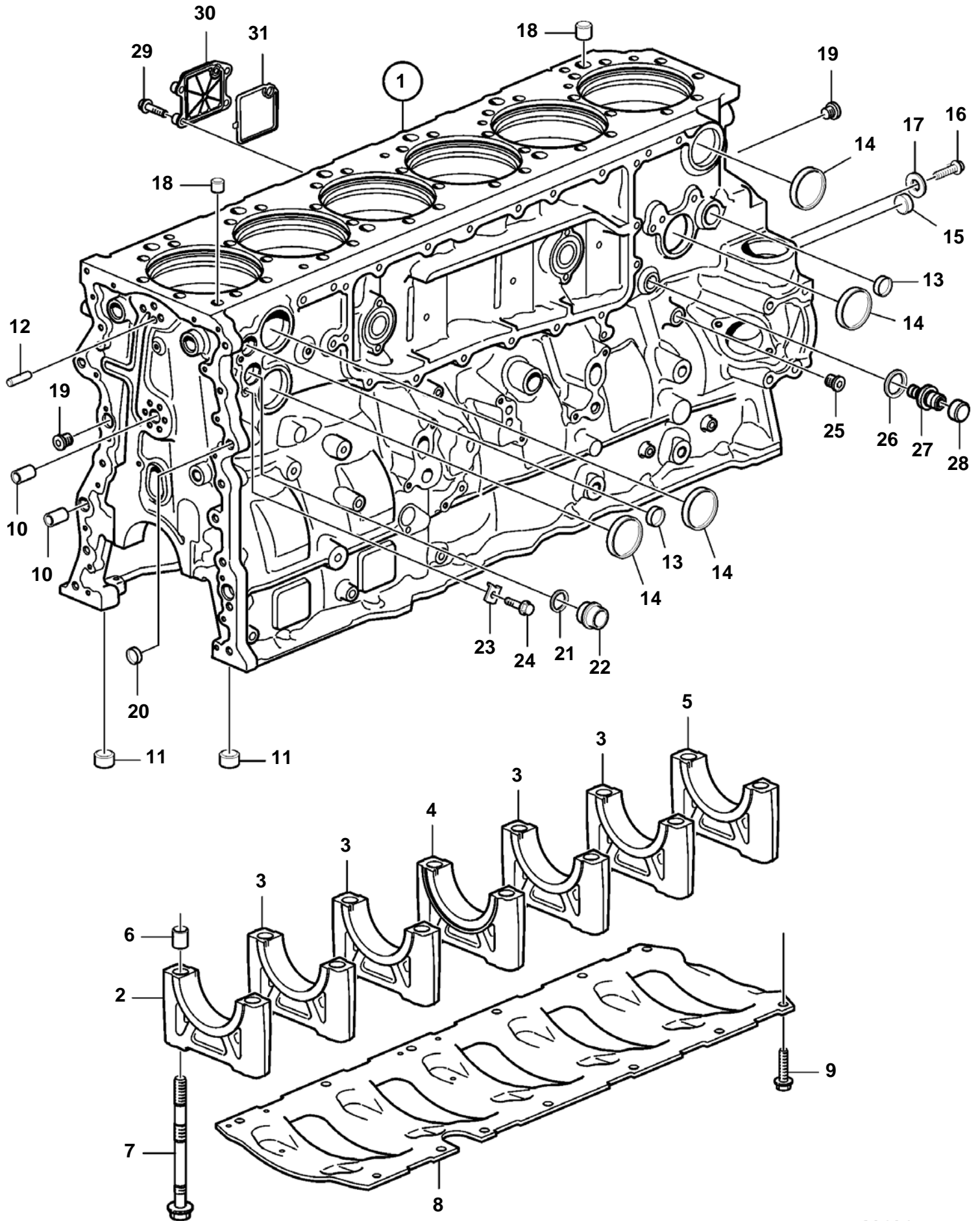
D16C-A MG, D16C-A MG RC



## D16C-A MG, D16C-A MG RC

REF	PART NO.	QTY	DESCRIPTION
1	20709580	1	Valve cover
2	20736230	1	Sealing strip
3	20463185	17	Flange screw
4	20725045	1	Cylinder head gasket
5	20555696	1	Sealing ring
6	3964803	1	Plug
7	946440	2	Flange screw

D16C-A MG, D16C-A MG RC



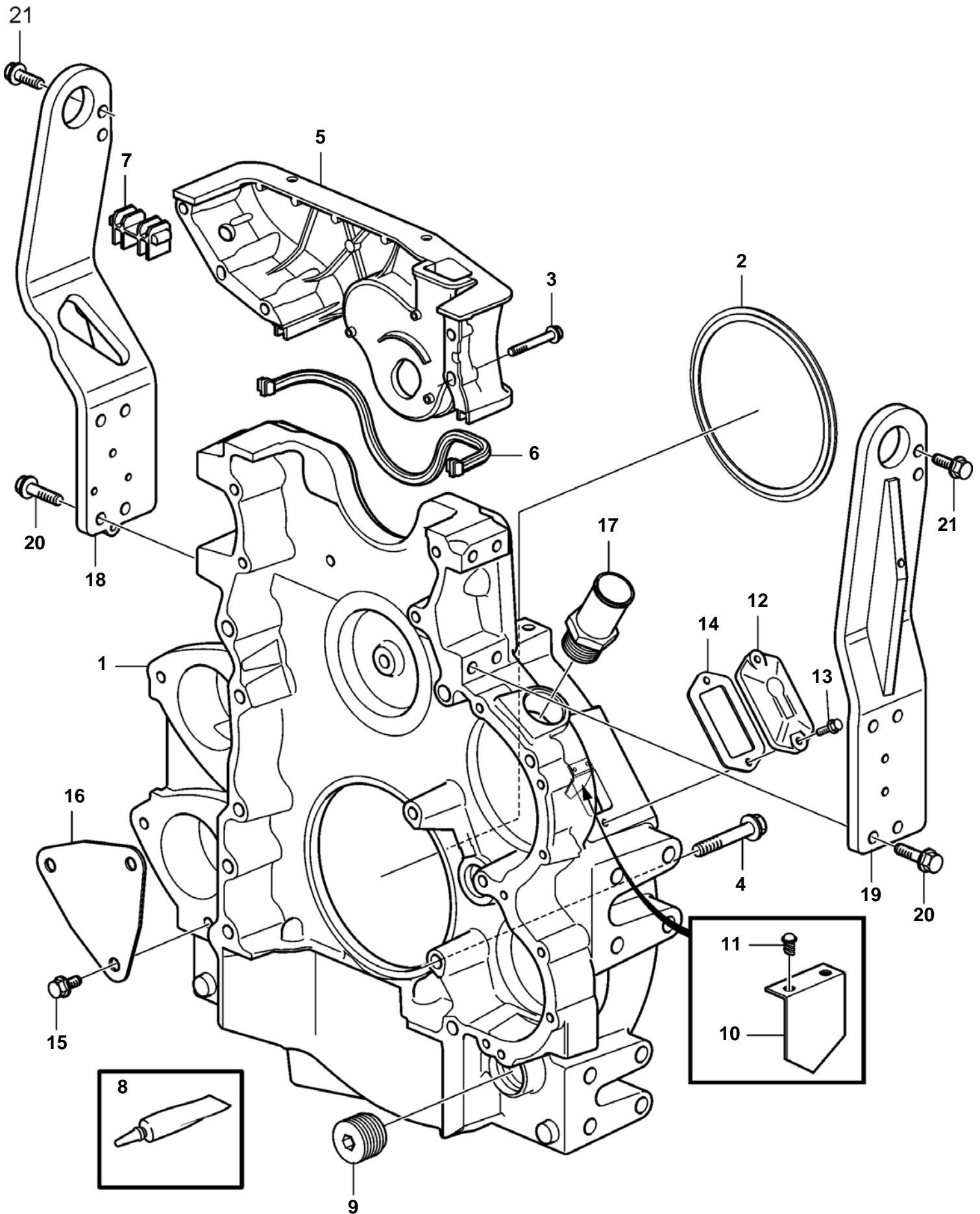
23131

## D16C-A MG, D16C-A MG RC

REF	PART NO.	QTY	DESCRIPTION
1	20742700	1	Cylinder block
2		1	· Main bearing cap
3		4	· Main bearing cap
4		1	· Main bearing cap
5		1	· Main bearing cap
6		14	· Guide sleeve
7	20581443	14	· Flange screw
8	20722628	1	Frame
9	975110	13	Flange screw
10	8131145	2	Guide sleeve
11	417588	2	Guide sleeve
12	950588	1	Pin
13	24426721	2	Cap plug
14	8131937	4	Cap plug
15	20562189	2	Plug
16	966378	1	Flange screw
17	976944	1	Washer
18	20485996	2	Guide sleeve
19	20529445	2	Plug
20	20562189	1	Plug
21	1547252	1	Sealing ring
22	20845995	1	Plug
23	20844430	1	Lock brace
24	946440	1	Flange screw
25	984793	1	Plug
26	979099	1	Gasket
27	1676622	1	Nipple
28	476279	1	Protecting cap
29	945444	4	Flange screw
30	20533497	1	Cardboard tube
31	20532891	1	Gasket



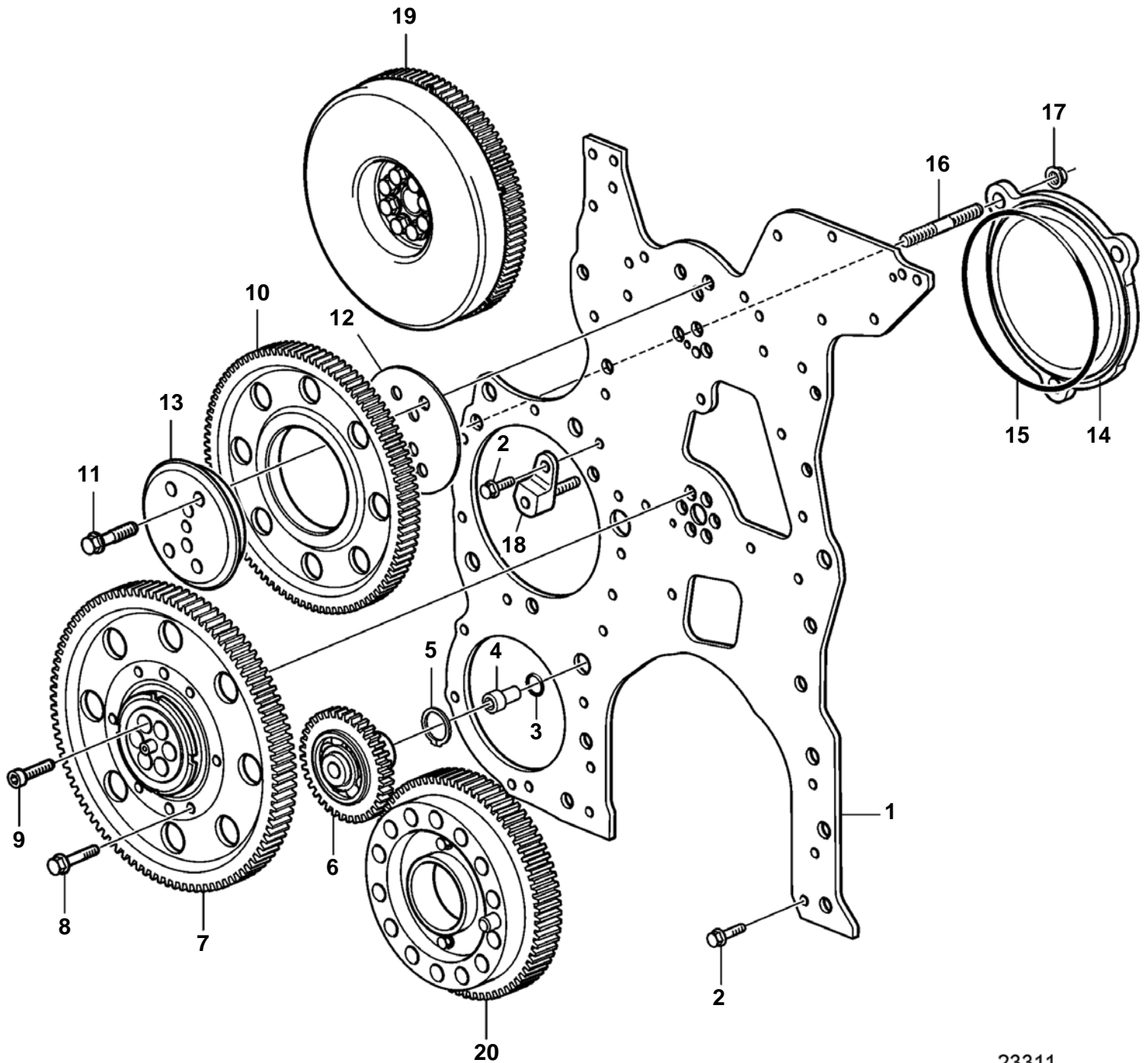
D16C-A MG, D16C-A MG RC



**D16C-A MG, D16C-A MG RC**

REF	PART NO.	QTY	DESCRIPTION	NOTES
1	3886300	1	Flywheel housing	
2	85108352	1	Sealing ring	
3	947760	4	Flange screw	L=40mm
	965180	1	Flange screw	L=60mm
4	965189	5	Flange screw	M10x90mm
	966366	6	Flange screw	M14x90mm
	966367	1	Flange screw	M14x100mm
5	20853452	1	Timing gear cover	
6	20815558	1	Sealing strip	(20747434)
7	20572441	2	Gasket	
8	1161277	X	Sealant	20g
9	467367	1	Plug	
10	849405	1	Setting indicator	
11	905654	2	Drive screw	
12	4772168	1	Cover	
13	946934	2	Flange screw	
14	4804167	1	Gasket	
15	946502	3	Flange screw	
16	849135	1	Cover	
17	942315	1	Hose nipple	
18		1	Lifting eye	
19		1	Lifting eye	
20	975110	8	Flange screw	
21	946472	4	Flange screw	

D16C-A MG, D16C-A MG RC

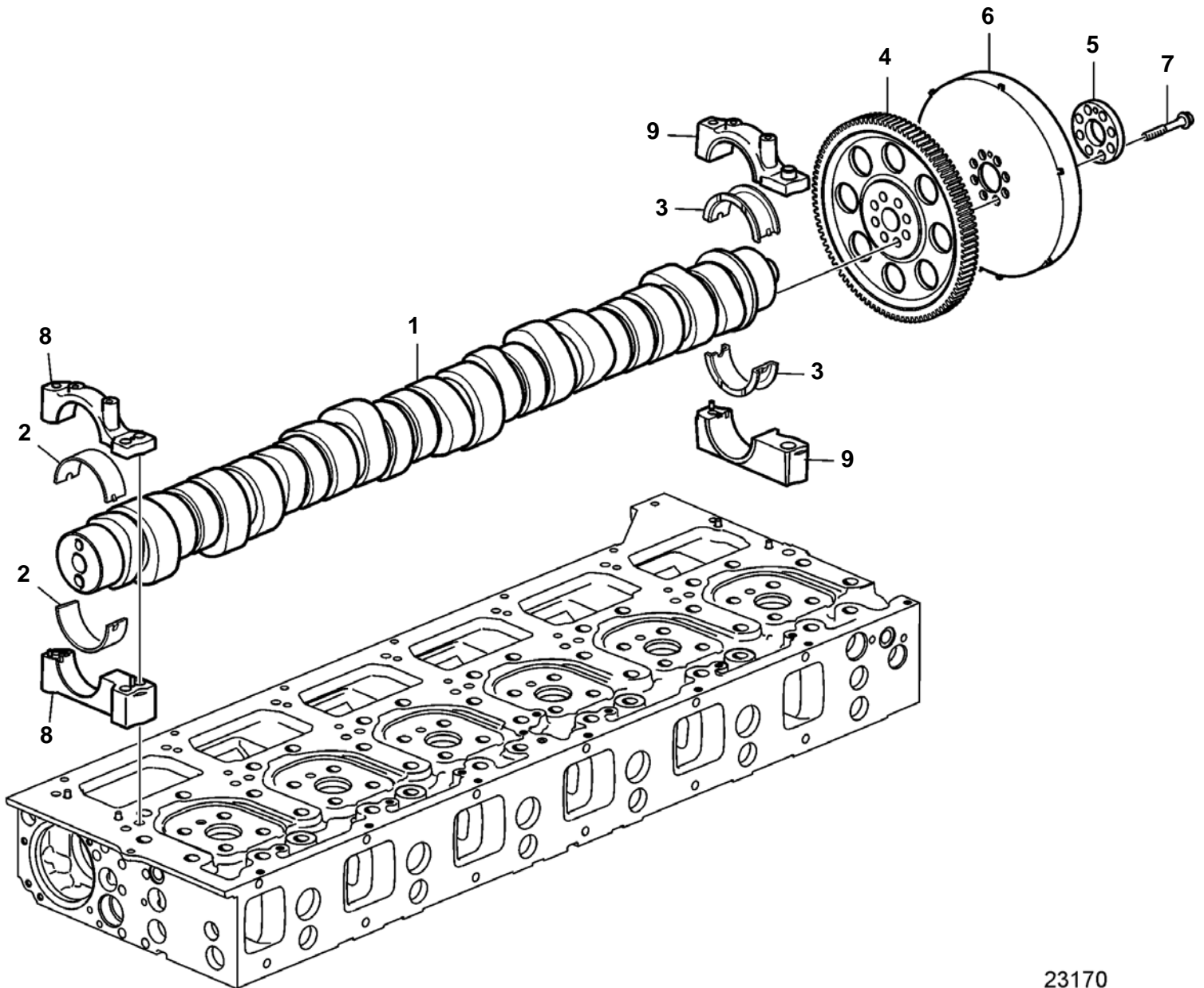


23311

## D16C-A MG, D16C-A MG RC

REF	PART NO.	QTY	DESCRIPTION
1	20854044	1	Timing gear plate
2	945444	26	Flange screw
3	949656	1	O-ring
4			Shaft
5	914465	1	Snap ring
6	20867135	1	Idler gear
7	21057442	1	Idler gear
8	8192804	8	Screw
9	20483919	6	Hex. socket screw
10	20743007	1	Idler gear
11	21015266	6	Flange screw
12	8131850	1	Thrust washer
13	20520535	1	Hub, crankshaft
14	849135	1	Cover
15	948977	1	O-ring
16	953102	2	Stud
17	979230	3	Flange nut
18	20531962	1	Nut
19	20891469	1	Gear, camshaft
20	21057442	1	Idler gear

D16C-A MG, D16C-A MG RC

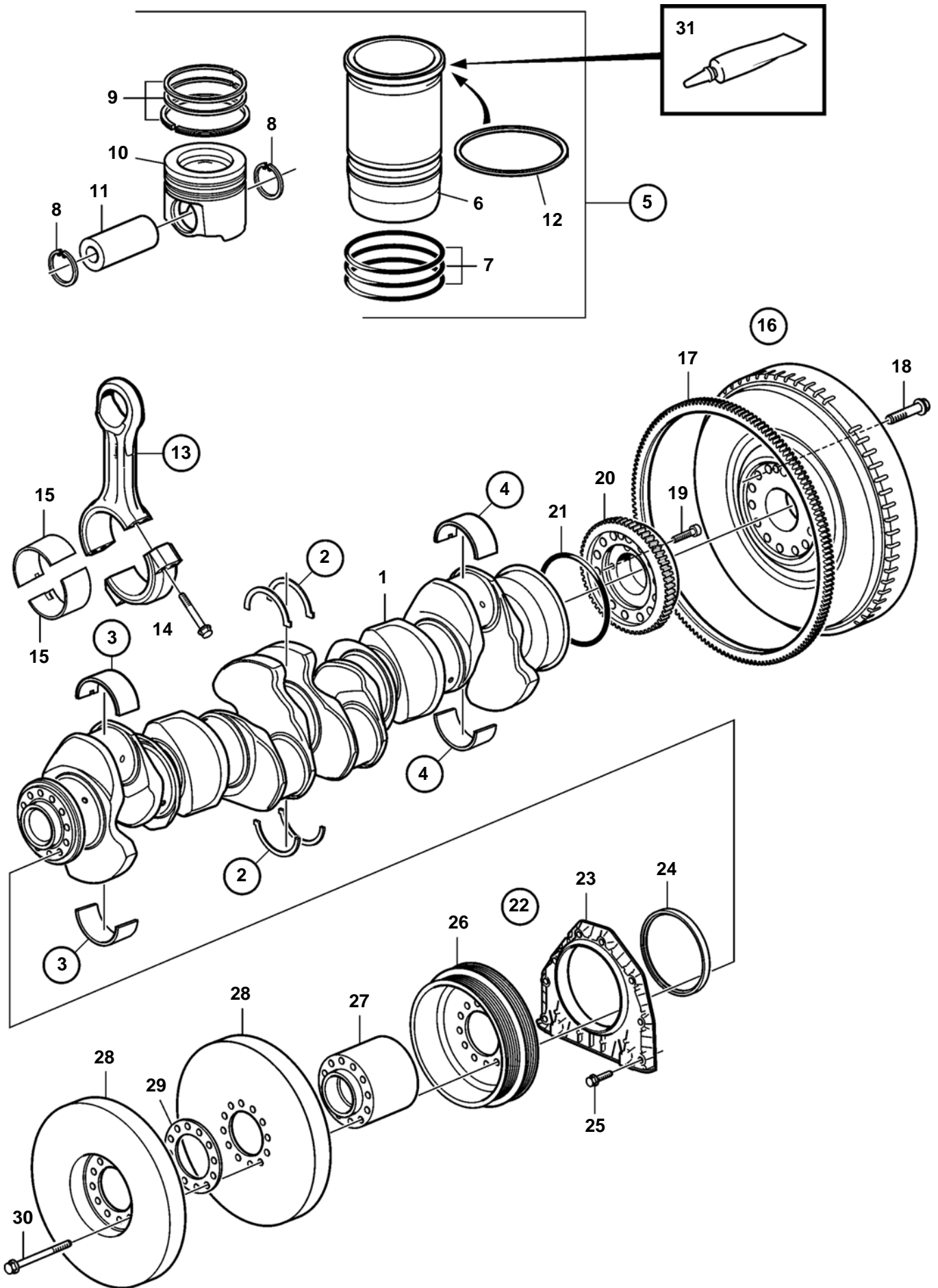


23170

D16C-A MG, D16C-A MG RC

REF	PART NO.	QTY	DESCRIPTION	SEE SEC.	NOTES
1	20894565	1	Camshaft		
2	21006103	6	Camshaft bearing kit		Std
3	20756108	1	Camshaft bearing kit		Std
4			Gear	9858	Pin included in gear
5	20878608	1	Spacer		
6	20888623	1	Vibration damper		
7	8192804	8	Screw		
8	20946876	6	Bearing housing		When replacing one or more bearing houses the first time, all of the bearing houses must be replaced. Then each bearing house can be replaced separat
9	20946882	1	Bearing housing		When replacing one or more bearing houses the first time, all of the bearing houses must be replaced. Then each bearing house can be replaced separat

D16C-A MG, D16C-A MG RC

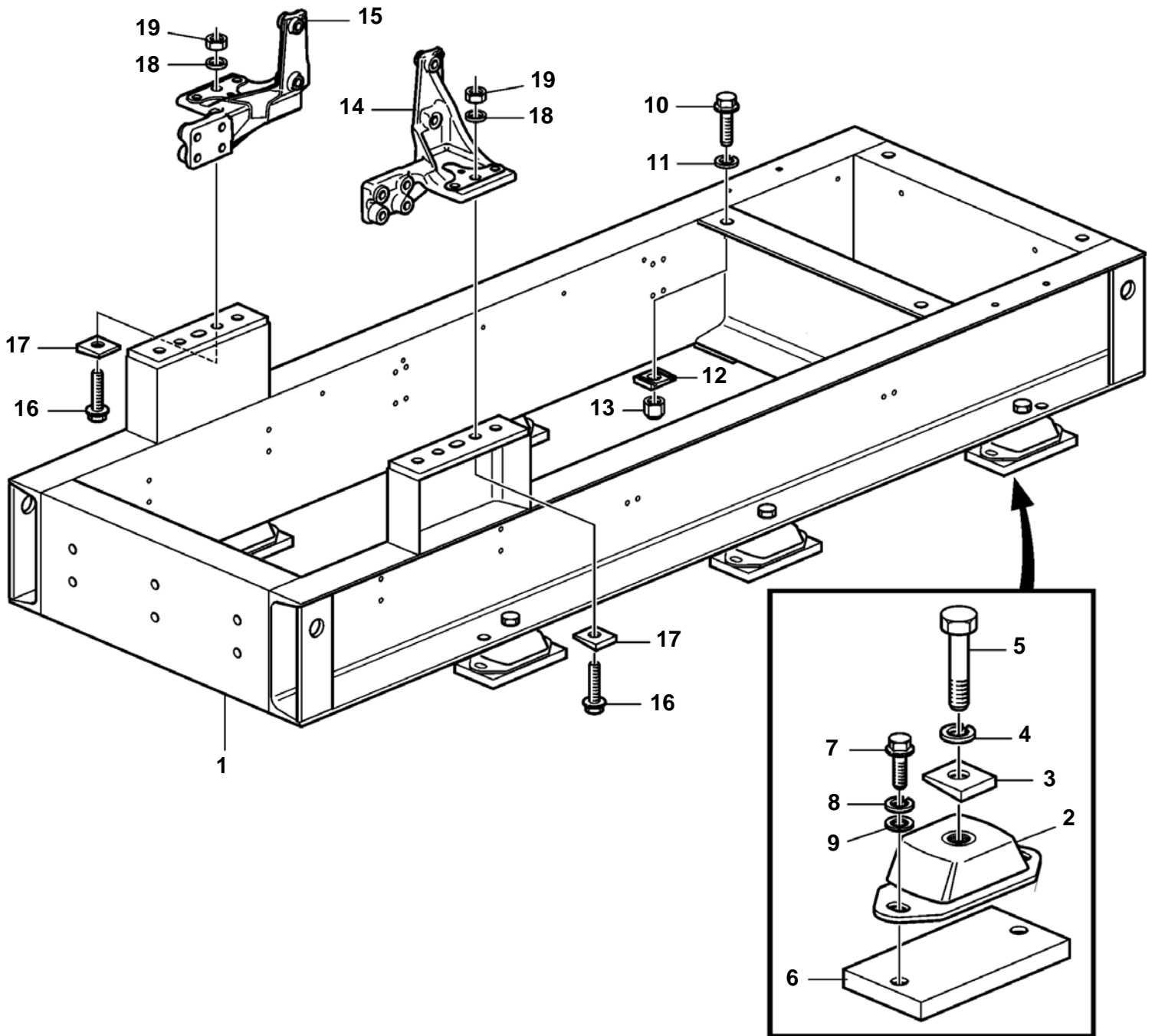


## D16C-A MG, D16C-A MG RC

REF	PART NO.	QTY	DESCRIPTION	SEE SEC.	NOTES
1	20758947	1	Crankshaft		
2	270929	1	Thrust washer		Std
	270930	1	Thrust washer		O.S=0,10mm
	270931	1	Thrust washer kit		O.S=0,20mm
	270932	1	Thrust washer kit		O.S=0,30mm
3	20578851	6	Main bearing shell		SN002477-., Std
	20700881	6	Main bearing shell		SN002477-., O.S=0,25mm
	20700882	6	Main bearing shell		SN002477-., O.S=0,50mm
	20700886	6	Main bearing shell		SN002477-., O.S=1,00mm
4	20578853	1	Main bearing shell		SN002477- Bearing no 7., Std
	20700890	1	Main bearing shell		SN002477- Bearing no 7., O.S=0,25mm
	20700891	1	Main bearing shell		SN002477- Bearing no 7., O.S=0,50mm
	20700893	1	Main bearing shell		SN002477- Bearing no 7., O.S=1,00mm
5	3886754	6	Cylinder liner kit		
6		6	· Cylinder liner		
7	20520607	6	· Sealing ring kit		
8	945483	12	· Snap ring		
9	3886753	6	· Piston ring kit		
10		6	· Piston		
11	8131232	6	· Piston pin		
12	20523555	X	Shim		TH = 0,2mm
	20523556	X	Shim		TH = 0,3mm
	20523557	X	Shim		TH=0,5mm
13	20898603	6	Connecting rod		Bushing included in connecting rod.
14	8131198	24	· Screw		
15	20586602	6	Big-end bearing kit		Std
	20586603	6	Big-end bearing kit		O.S=0,25mm
	20586604	6	Big-end bearing kit		O.S=0,50mm
		6	Big-end bearing kit		O.S=0,75mm
	20586606	6	Big-end bearing kit		O.S=1,00mm
		6	Big-end bearing kit		O.S=1,25mm
16			Flywheel	9858	
17	20711957	1	· Ring gear		
18	3155075	12	Screw		
19	21344746	2	Screw		
20	20801971	1	Gear		Pin included in gear
21	85108352	1	Sealing ring		
22	20777233	1	Cover		
23		1	· Lock		
24	85108423	1	· Crankshaft seal		
25	946671	8	Flange screw		
26			Pulley	9994	
27	3838498	1	Adapter		
28	3889367	2	Vibration damper		
29	3838497	1	Spacer		
30	978447	12	Flange screw		
31	1161277	X	Sealant		



D16C-A MG

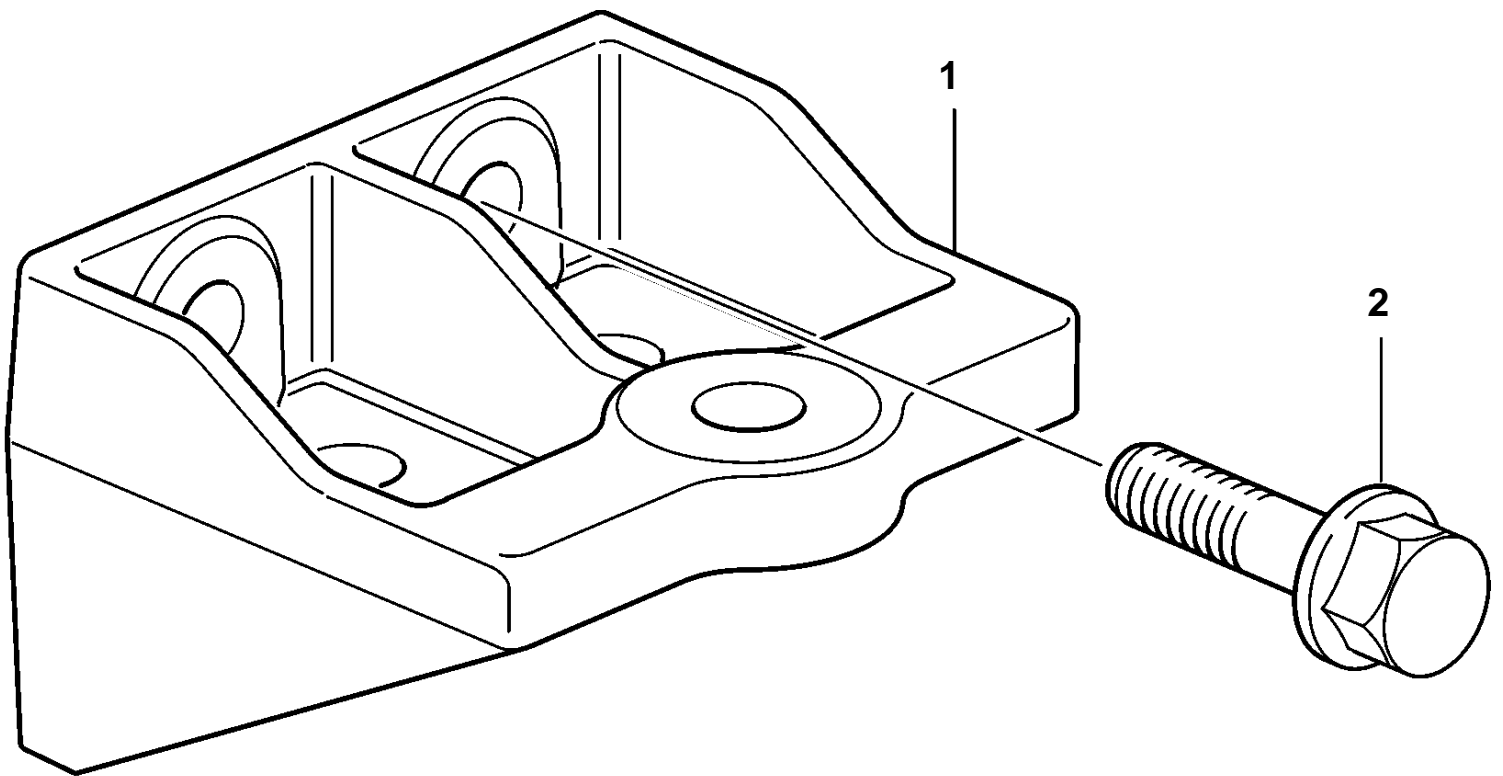


23400

D16C-A MG

REF	PART NO.	QTY	DESCRIPTION
1		1	Frame
2	862347	6	Rubber cushion
3	18683	6	U-member washer
4	941914	6	Spring washer
5	955387	6	Hexagon screw
6		6	Weld plate
7	955361	12	Hexagon screw
8	941912	12	Spring washer
9	955900	12	Washer
10	955774	X	Hexagon screw
11	941917	X	Spring washer
12	191810	2	Washer
13	950381	X	Lock nut
14	3843218	1	Engine bracket
15	3843220	1	Engine bracket
16	955390	2	Hexagon screw
17	191810	2	Washer
18	941914	2	Spring washer
19	963111	2	Lock nut

D16C-A MG, D16C-A MG RC

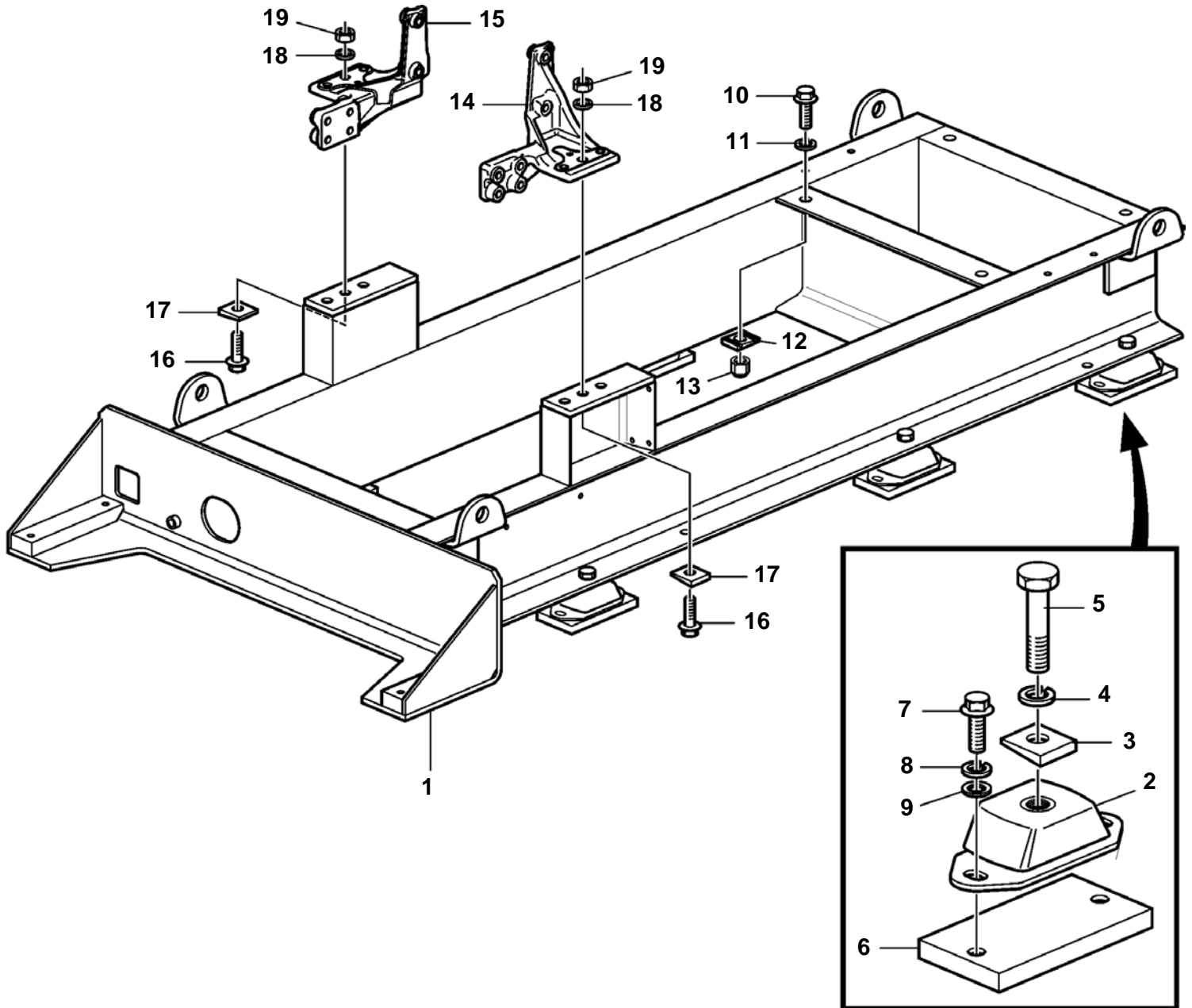


23499

D16C-A MG, D16C-A MG RC

REF	PART NO.	QTY	DESCRIPTION
1		2	Bracket
2	968436	8	Flange screw

D16C-A MG RC

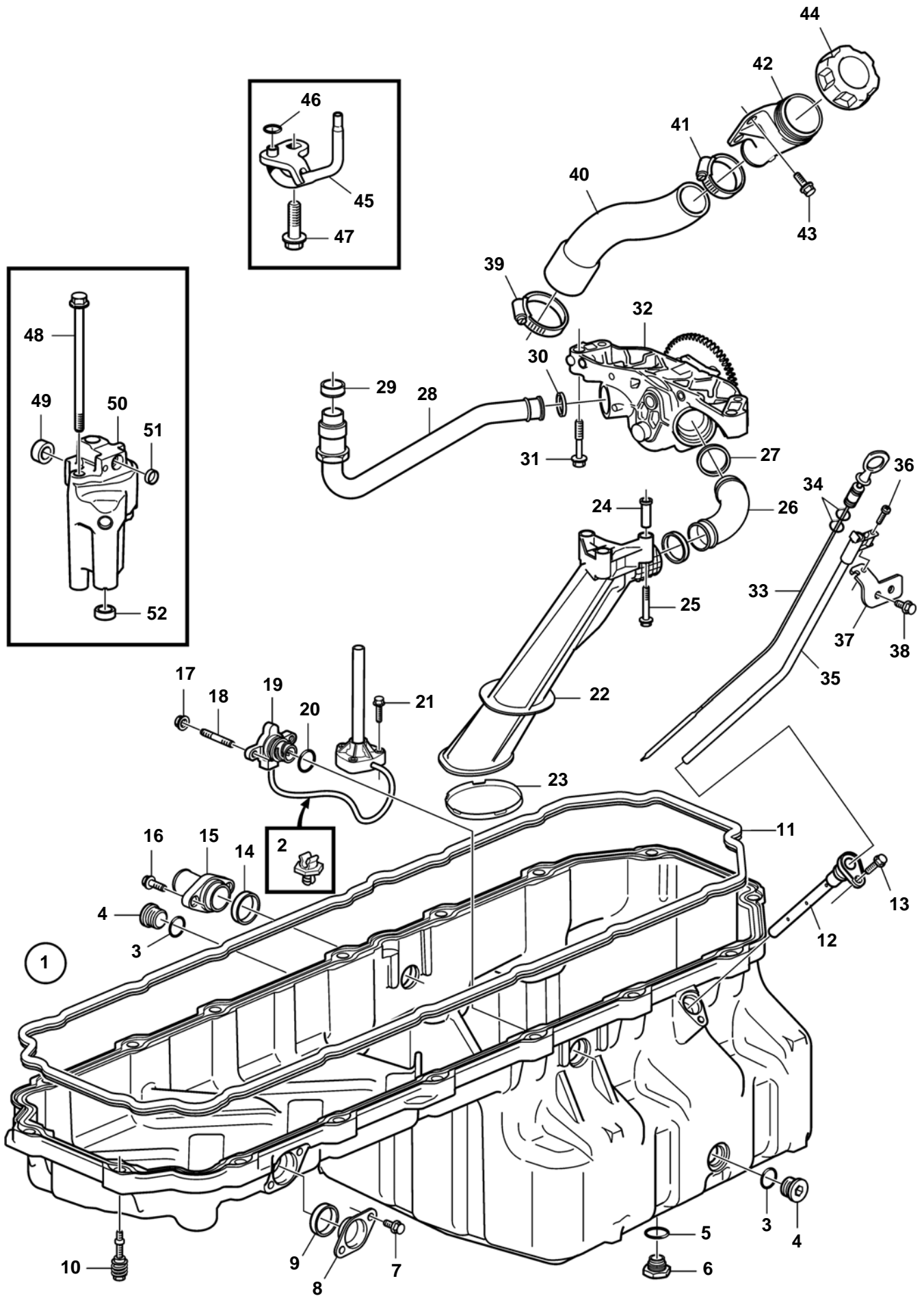


23903

D16C-A MG RC

REF	PART NO.	QTY	DESCRIPTION
1		1	Frame
2	862347	6	Rubber cushion
3	18683	6	U-member washer
4	941914	6	Spring washer
5	955387	6	Hexagon screw
6		6	Weld plate
7	955361	12	Hexagon screw
8	941912	12	Spring washer
9	955900	12	Washer
10	955774	X	Hexagon screw
11	941917	X	Spring washer
12	191810	2	Washer
13	950381	X	Lock nut
14	3843218	1	Engine bracket
15	3843220	1	Engine bracket
16	955390	2	Hexagon screw
17	191810	2	Washer
18	941914	2	Spring washer
19	963111	2	Lock nut

D16C-A MG, D16C-A MG RC

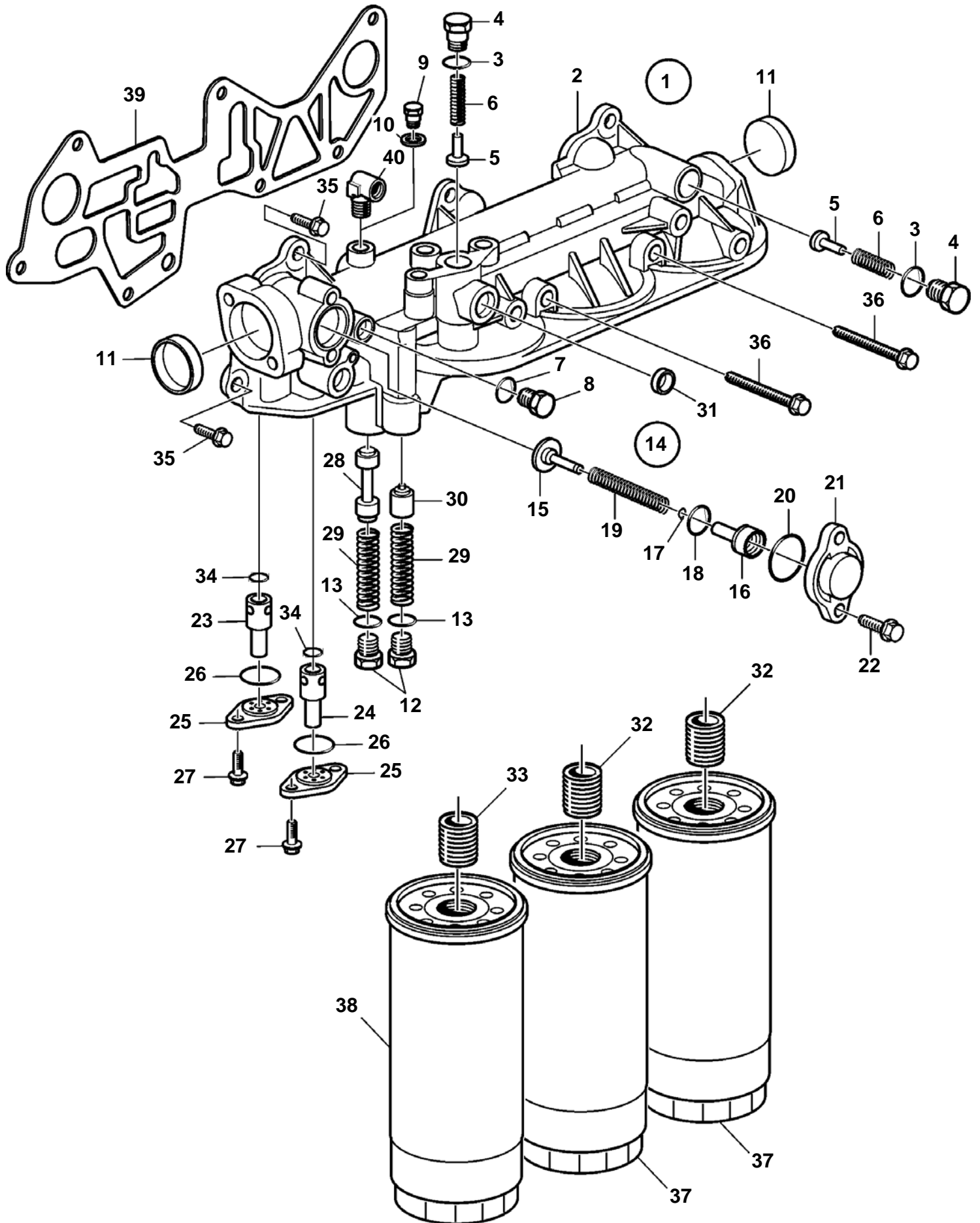


## D16C-A MG, D16C-A MG RC

REF	PART NO.	QTY	DESCRIPTION	SEE SEC.
1	20775763	1	Oil pan	
2	20700754	3	· Retainer	
3	968209	2	· O-ring	
4	968612	2	· Plug	
5	20579690	1	· Gasket	
6	20571854	1	· Magnetic plug	
7	946440	2	Flange screw	
8	3964803	1	Plug	
9	20555696	1	Sealing ring	
10	20463185	16	Flange screw	
11	20734156	1	Sealing strip	
12	20724256	1	Pipe	
13	946173	1	Flange screw	
14	20555696	1	Sealing ring	
15	20462497	1	Connection pipe	
16	946173	2	Flange screw	
17	945407	2	Flange nut	
18	953035	2	Stud	
19		1	Oil pressure sensor	21308
20	990719	1	· O-ring	
21	948356	3	Flange screw	
22	20547257	1	Oil strainer	
23	8131965	1	· Strainer	
24	20547263	3	· Spacer sleeve	
25	977275	3	Flange screw	
26	20737892	1	Suction pipe	
27	20555696	2	Sealing ring	
28	20708889	1	Pressure pipe	
29	980790	1	· Ferrule	
30	1543578	1	Sealing ring	
31	21344756	4	Screw	
32	20553753	1	Oil pump	
33	3841225	1	Oil dipstick	
34	949187	2	O-ring	
35	3841227	1	Pipe	
36	975371	1	6 point socket screw	
37		1	Bracket	
38	946440	2	Flange screw	
39	961671	1	Hose clamp	
40	3841223	1	Hose	
41	961670	1	Hose clamp	
42	20808091	1	Oil filler pipe	
43	944926	2	Flange screw	
44	20807510	1	Oil filler cap	
45	3839496	6	Piston cooling jet	
46	955982	6	· O-ring	
47	966378	6	Flange screw	
48	969225	2	Flange screw	
49	20775471	1	Spacer sleeve	
50	20540340	1	Intermediate housing	
51	955082	3	· Cap plug	
52	20526428	1	· Sealing ring	



D16C-A MG, D16C-A MG RC

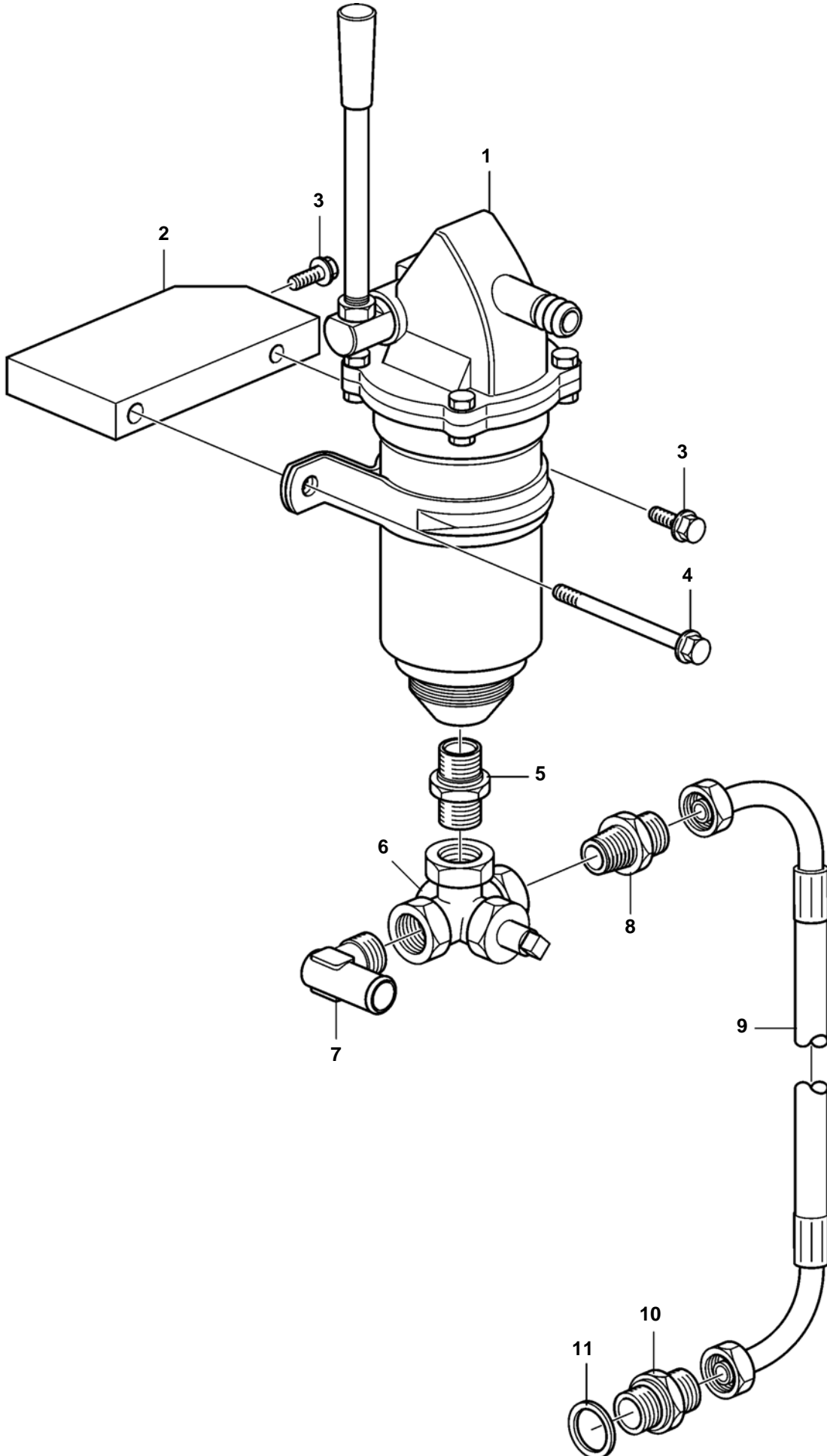


23855

## D16C-A MG, D16C-A MG RC

REF	PART NO.	QTY	DESCRIPTION	NOTES
1	8131100	1	Oil filter housing	
2		1	· Oil filter housing	
3	947627	2	· Gasket	
4	471598	2	· Plug	
5	471085	2	· Valve cone	
6	466653	2	· Compression spring	
7	11998	2	· Gasket	
8	960632	2	· Plug	
9	960628	1	· Plug	
10	947281	1	· Gasket	
11	20478143	2	· Cap plug	
12	20381215	2	· Plug	
13	947629	2	· Gasket	
14	3169687	1	· Delivery valve	
15		1	· · Valve	
16		1	· · Valve guide	
17	955964	1	· · Snap ring	
18	976039	1	· · O-ring	
19		1	· · Spring	
20	949659	1	· O-ring	
21	3184806	1	· Cover	
22	947542	2	· Flange screw	
23	3826265	1	· Reduction valve	
24	471706	1	· Reduction valve	
25	471648	2	· Cover	
26	949659	2	· O-ring	
27	946544	4	· Flange screw	
28	20440781	1	· Piston	
29	20464676	2	· Spring	
30	20440779	1	· Valve cone	
31	946778	1	· Cap plug	
32	466623	2	· Nipple	
33	469904	1	· Nipple	
34	469846	2	· Sealing ring	
35	945444	5	Flange screw	
36	968999	2	Flange screw	
37	478736	2	Oil filter	
38	477556	1	Oil filter	
39	20823322	1	Gasket	
40	990916	1	Elbow nipple, pressure monitor/piston cooling	Replaced by elbow nipple 992106.
	992106	1	Elbow nipple, pressure monitor/piston cooling	

D16C-A MG, D16C-A MG RC

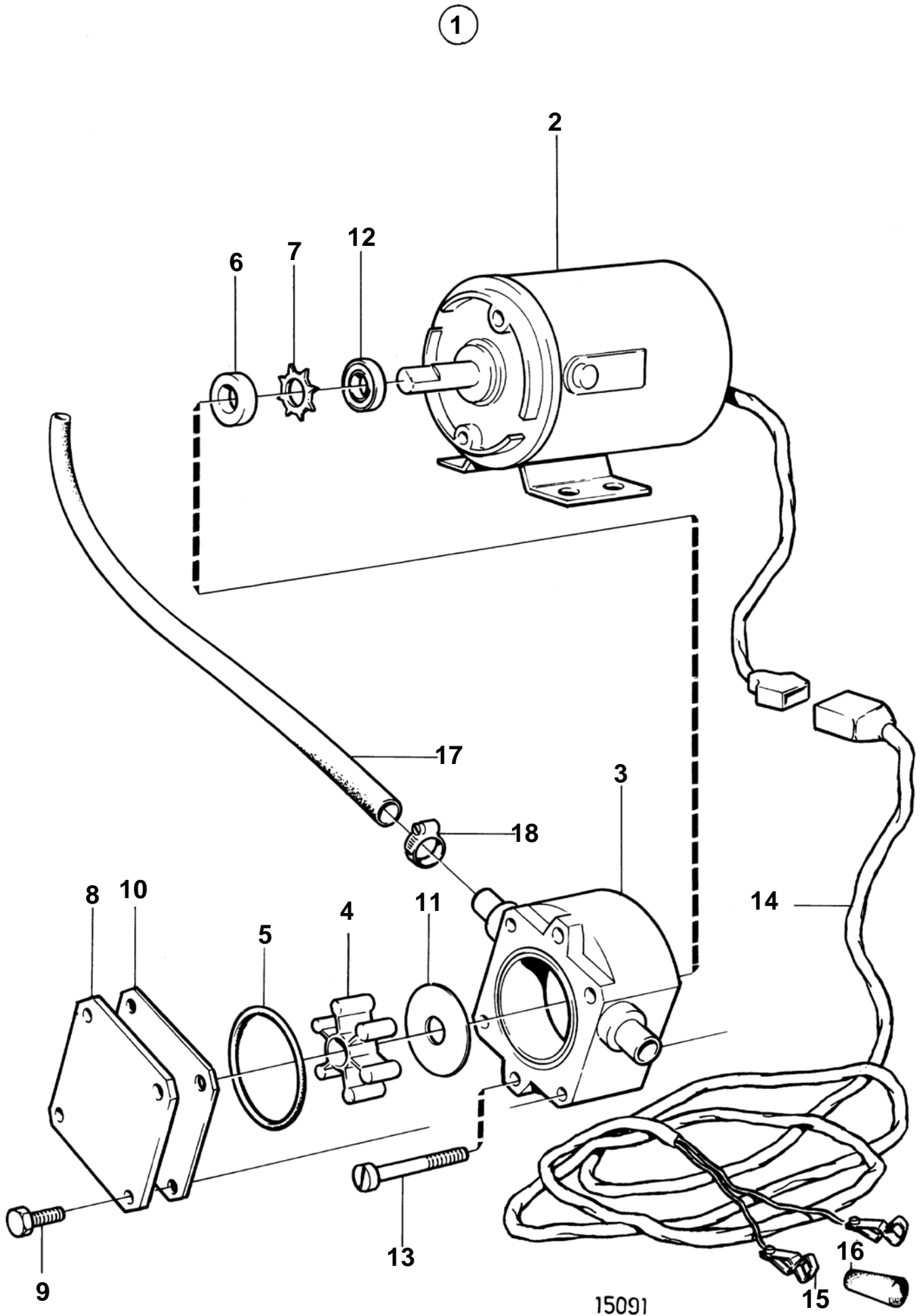


23276

D16C-A MG, D16C-A MG RC

REF	PART NO.	QTY	DESCRIPTION
1	3827475	1	Oil drain pump
2	3588976	1	Bracket
3	946173	3	Flange screw
4	965183	1	Flange screw
5	16452	1	Double nipple
6	866572	1	Faucet
7	467716	1	Elbow nipple
8	968187	1	Nipple
9	3886248	1	Oil hose
10	963954	1	Nipple
11	976933	1	Gasket

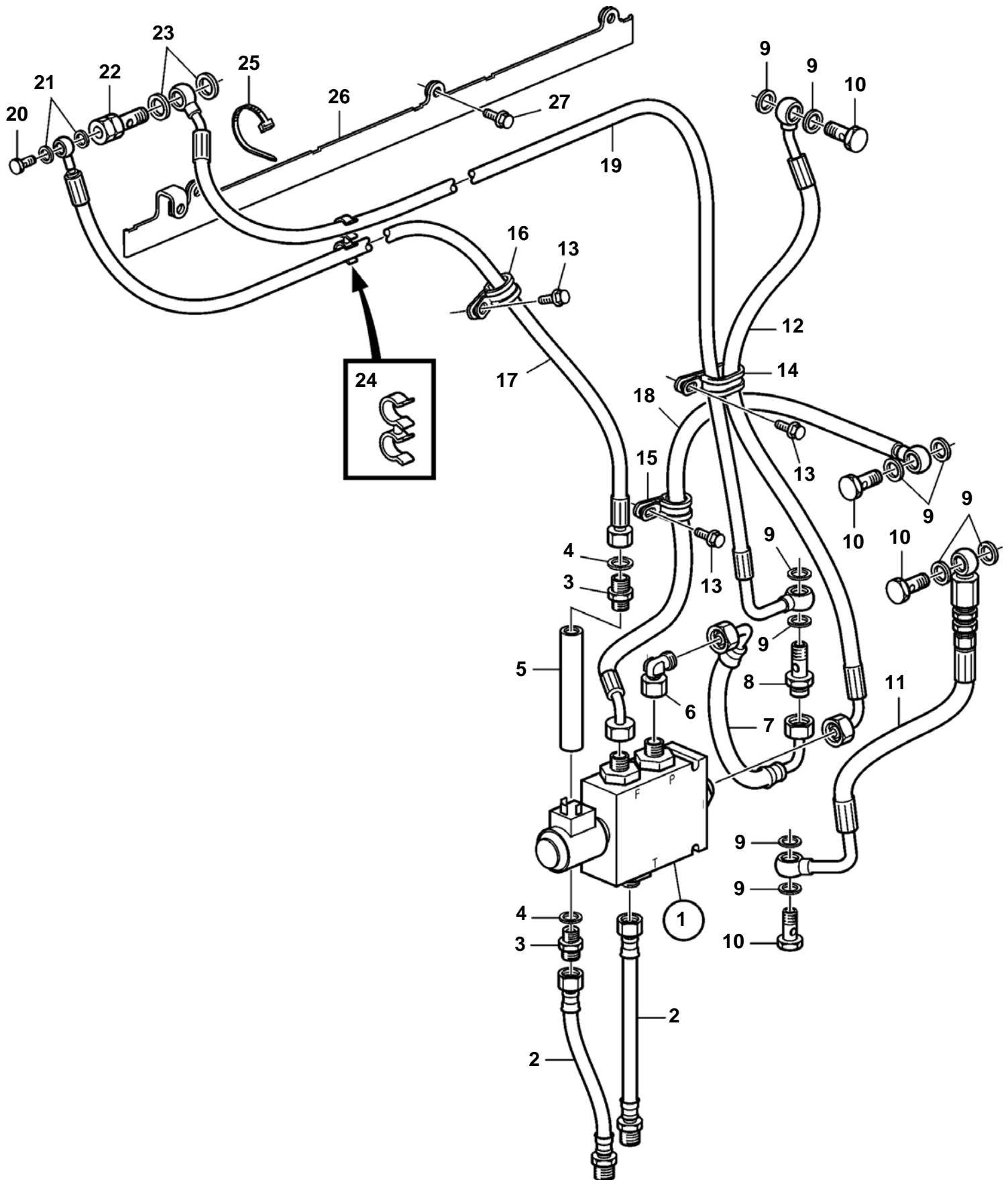
D16C-A MG, D16C-A MG RC



**D16C-A MG, D16C-A MG RC**

REF	PART NO.	QTY	DESCRIPTION	NOTES
1	843410	1	Oil bilge pump	24V
2	842222	1	· Electrical motor	
3		1	· · Pump housing	
4	844022	1	· · Impeller kit	
5		1	· · · O-ring	
6		1	· · · Sealing ring	
7		1	· · · Lock ring	
8	844018	1	· · Cardboard tube	
9	844021	4	· · Screw	
10	844017	1	· · Wear washer	
11	844016	1	· · Wear washer	
12	844019	1	· · Oil deflector ring	
13	969518	2	· · 6 point socket screw	
14	843113	1	· Cable trunk	
15	881487	2	· · Cable terminal	
16		1	· · Isolation	Black
		1	· · Isolation	RED
17	949100	X	· Hose	
18	943471	3	· Hose clamp	

D16C-A MG



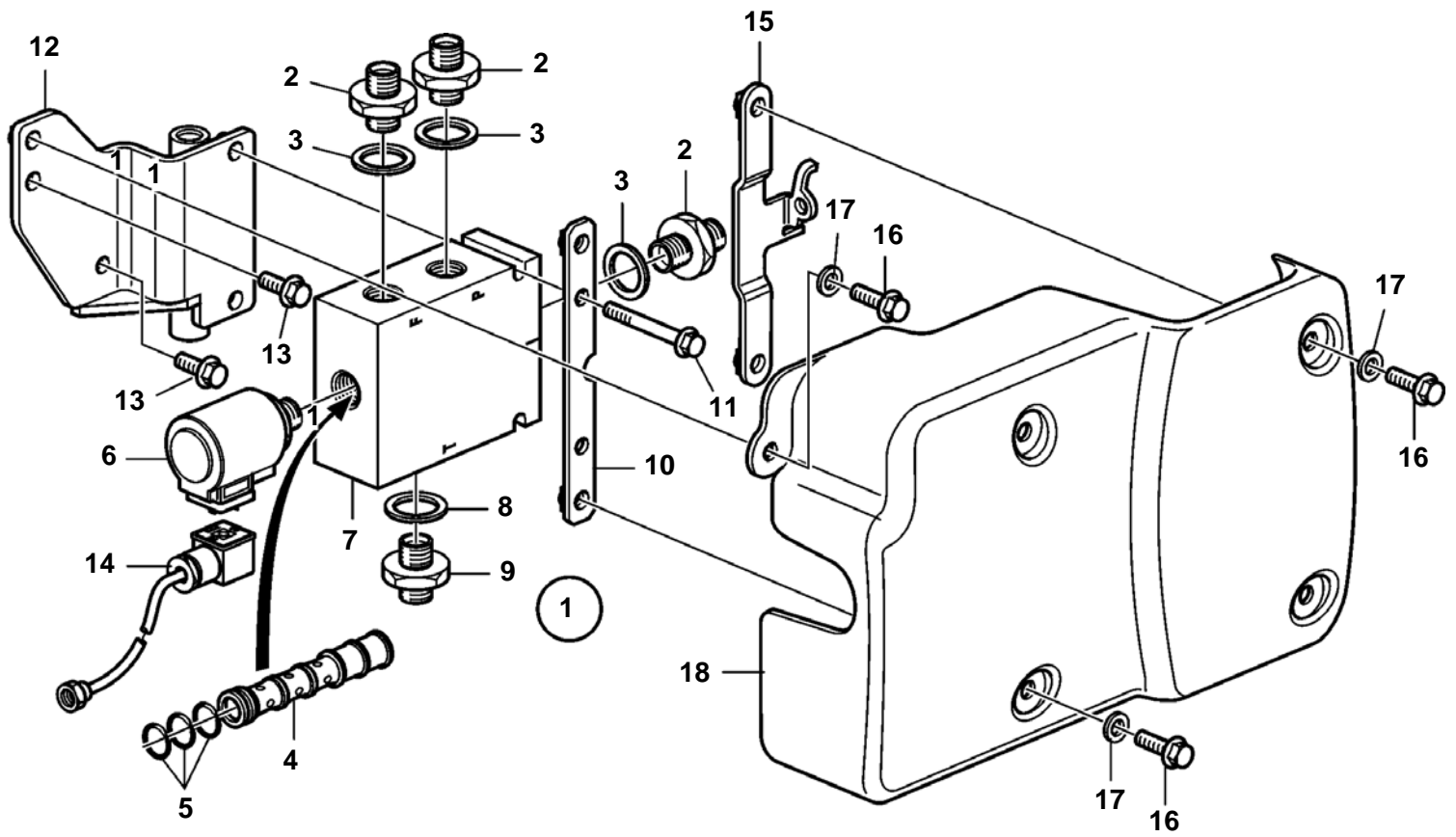
23271

D16C-A MG

REF	PART NO.	QTY	DESCRIPTION	SEE SEC.	NOTES
1	3835754	1	Fuel valve		
				9904	
2	3817202	2	Fuel hose		
3	963948	2	Nipple		
4	20852765	2	Sealing ring		
5		1	Bracket		
				9904	
6	964016	1	Elbow nipple		
7	3588994	1	Fuel hose		
8	3819880	1	Nipple		
9	20852765	10	Sealing ring		
10	941686	4	Hollow screw		
11	3888103	1	Fuel pipe		
12	3589008	1	Fuel hose		
13	946440	3	Flange screw		
14	981664	1	Clamp		
15	949747	1	Clamp		
16	949746	1	Clamp		
17	3588992	1	Fuel hose		
18	3841380	1	Fuel hose		
19	3588996	1	Fuel hose		
20	48634	1	Hollow screw		
21	20852762	2	Sealing ring		
22	20754813	1	Overflow valve		
23	20852765	2	Sealing ring		
24	981857	1	Retainer		
25	948616	4	Cable tie		(980464)
26		1	Bracket		
27	946173	3	Flange screw		



D16C-A MG, D16C-A MG RC

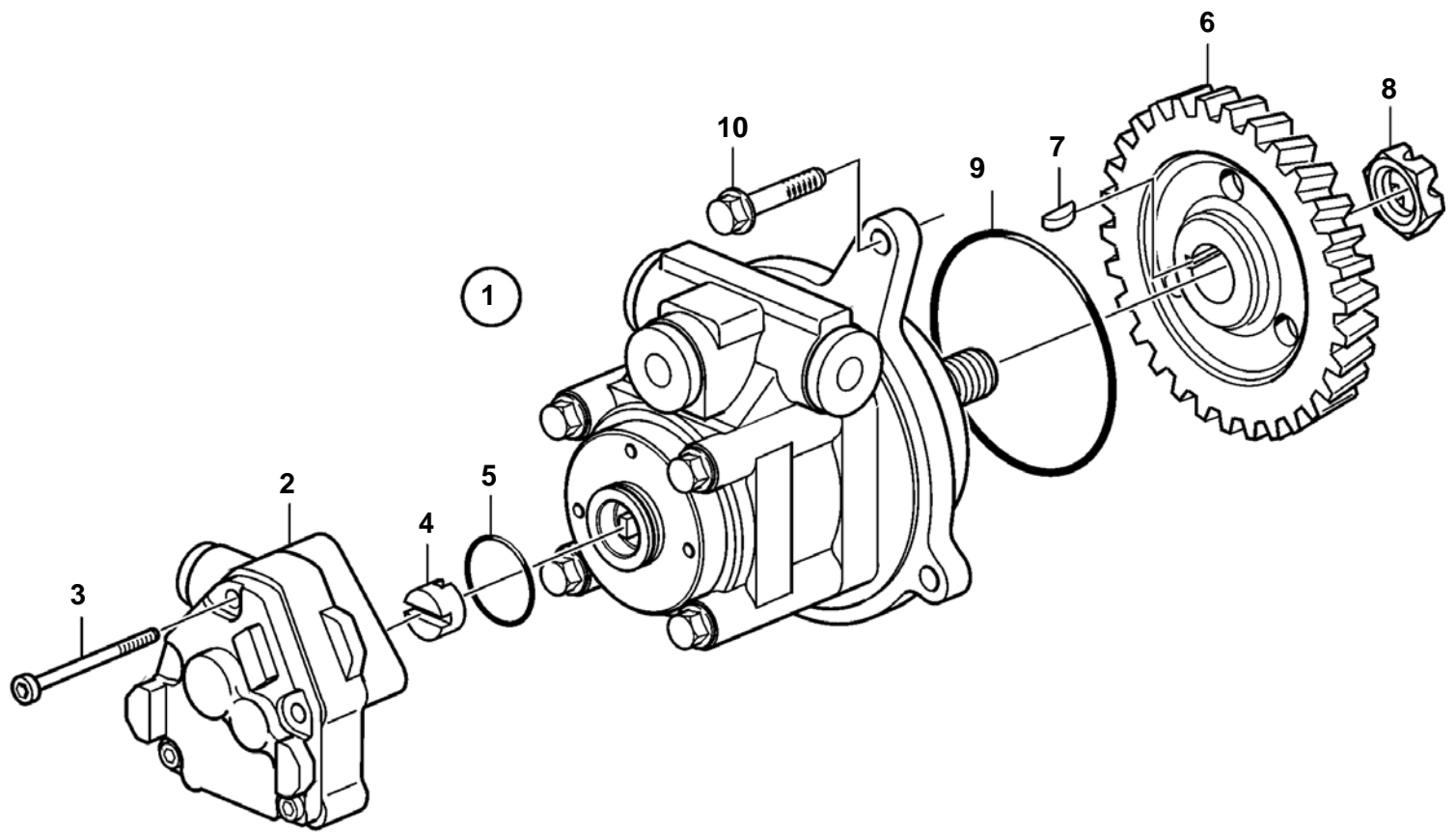


23225

## D16C-A MG, D16C-A MG RC

REF	PART NO.	QTY	DESCRIPTION	NOTES
1	3835754	1	Fuel valve	
2	983388	3	· Nipple	
3	3889284	3	· Gasket	
4	3835759	1	· Valve	REPL BY 3835754
5	3835803	2	· Gasket kit	
6	3835762	2	· Magnet	
7		2	· Manifold	REPL BY 3835754
8	3889284	1	Gasket	
9	983388	1	Nipple	
10		1	Bracket	
11	965181	2	Flange screw	
12		1	Bracket	
13	946440	2	Flange screw	
14	866664	1	Housing	
15	3884960	1	Bracket	
16	946173	5	Flange screw	
17	191172	5	Washer	
18	3842330	1	Protecting plate	

D16C-A MG, D16C-A MG RC

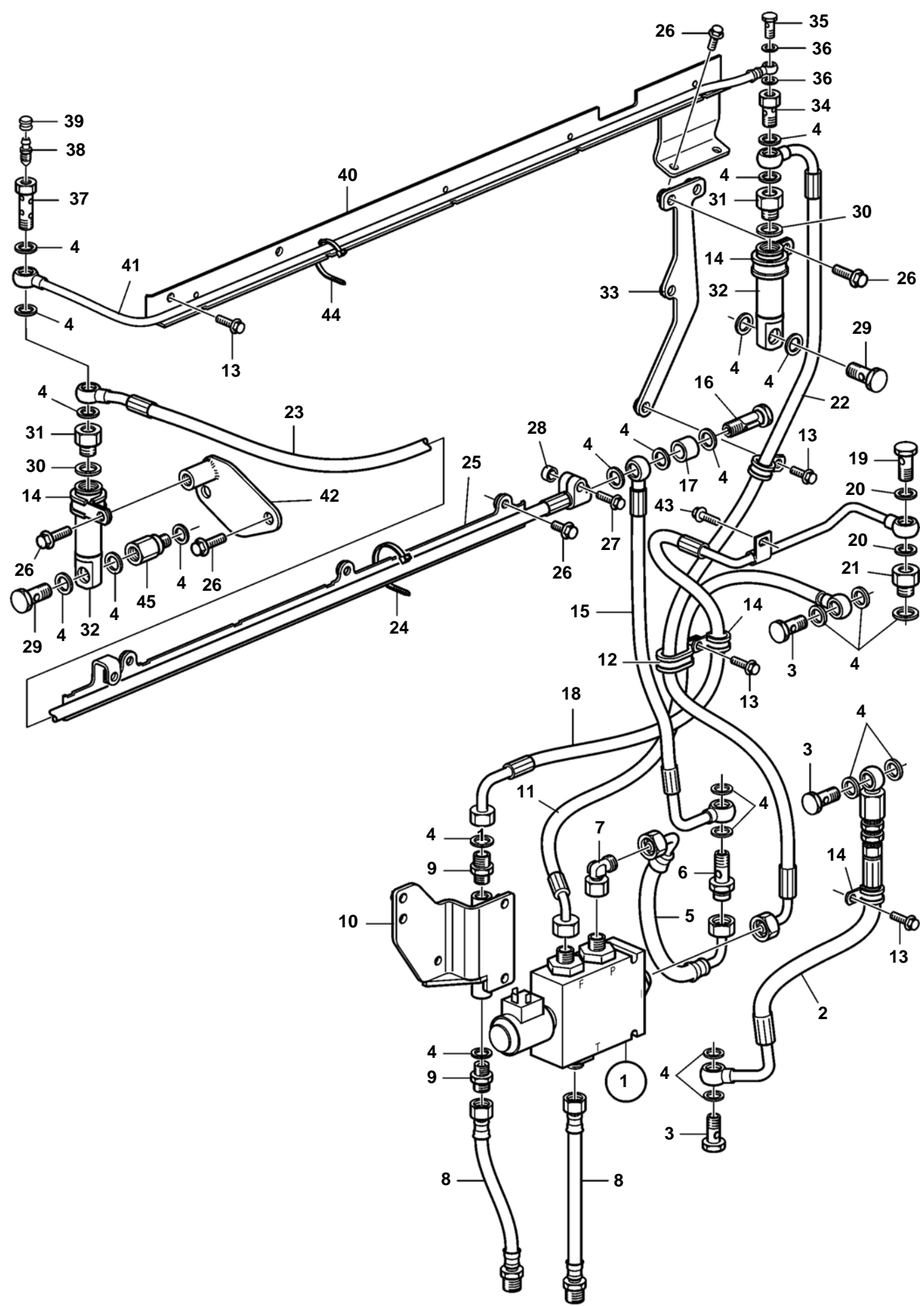


23283

D16C-A MG, D16C-A MG RC

REF	PART NO.	QTY	DESCRIPTION	NOTES
1	3594872	1	Fuel pump	Without servo pump., CMPL, (3838624) (85103778)
2	20997341	1	· Fuel pump	
3	85103780	1	· Hex. socket screw	
4	85103779	1	· Constant velocity jo	
5	85103703	1	· O-ring	
6	8131292	1	· Gear	
7	1505357	1	· Wedge	
8	20367040	1	· Castle nut	
9	977030	1	O-ring	
10	947760	3	Flange screw	

D16C-A MG RC

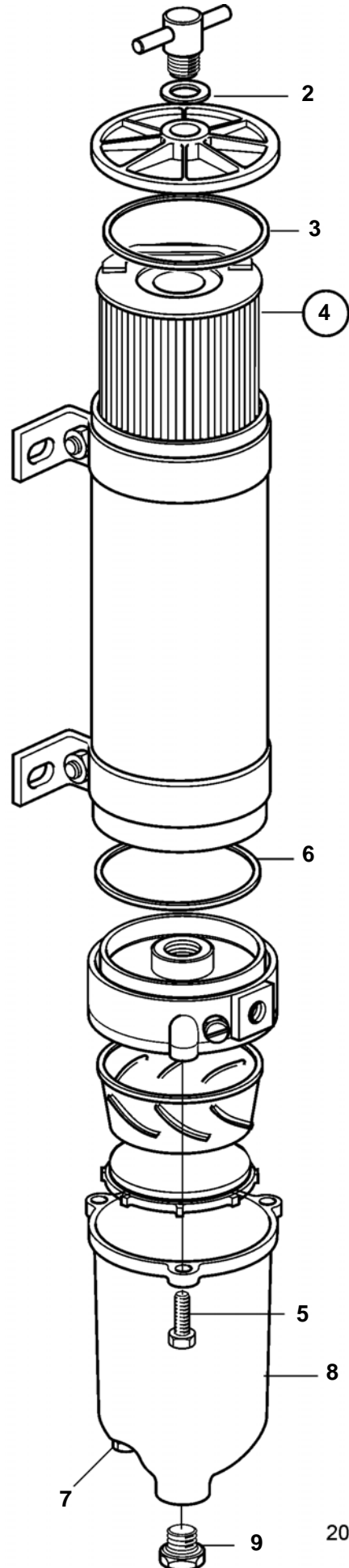
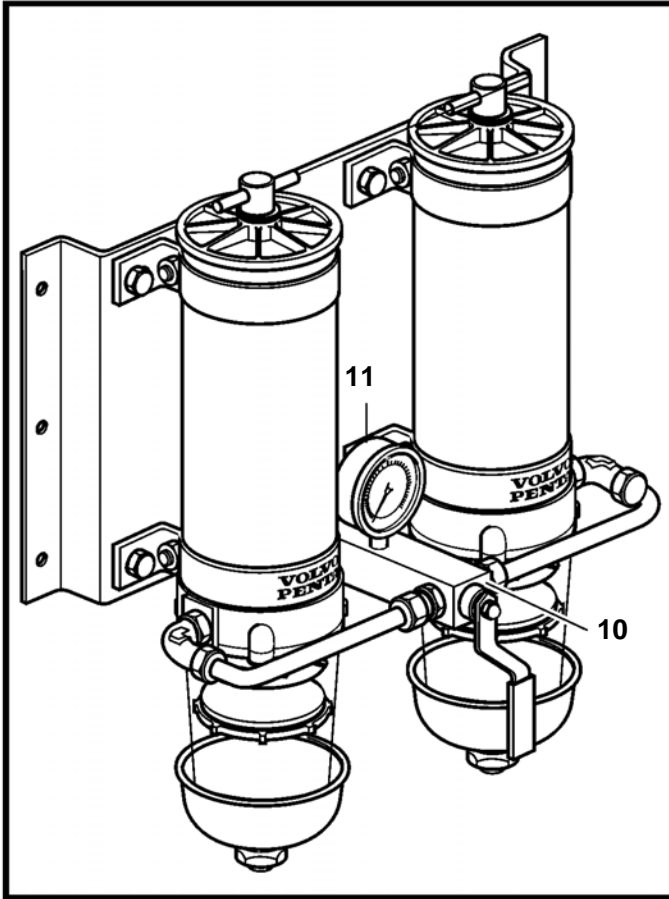


D16C-A MG RC

REF	PART NO.	QTY	DESCRIPTION	SEE SEC.
1	3835754	1	Fuel valve	
				9904
2	3888103	1	Fuel pipe	
3	941686	3	Hollow screw	
4	20852765	25	Sealing ring	
5	3588994	1	Fuel hose	
6	3819880	1	Nipple	
7	964016	1	Elbow nipple, angle	
8	3817202	2	Fuel hose	
9	963948	2	Nipple	
10		1	Bracket	
				9904
11	3841380	1	Fuel hose	
12	981664	1	Clamp	
13	946440	4	Flange screw	
14	949747	4	Clamp	
15		1	Fuel hose	
16	21014054	1	Hollow screw	
17	991656	1	Spacer sleeve	
18	3588992	1	Fuel hose	
19	48634	1	Hollow screw	
20	20852764	2	Sealing ring	
21	3847324	1	Adapter	
22	40005076	1	Fuel hose	
23	40005018	1	Fuel hose	
24	948616	X	Cable tie	
25		1	Bracket	
26	946173	9	Flange screw	
27	965180	1	Flange screw	
28	826652	1	Spacer sleeve	
29	190713	1	Hollow screw	
30	20899253	2	Gasket	
31	992272	2	Reduction nipple	
32	3848156	2	Riser	
33	21108664	1	Stay	
34	3595375	1	Hollow screw	
35	48634	1	Hollow screw	
36	20852762	2	Sealing ring	
37	3595373	1	Hollow screw	
38	20548012	1	Faucet	
39	20547976	1	Protecting cover	
40	40005046	1	Bracket	
41	40005071	1	Fuel hose	
42		1	Bracket	
43	967949	1	Flange screw	
44	948211		Cable tie	
45	3849956	1	Spacer tube	

D16C-A MG, D16C-A MG RC

1



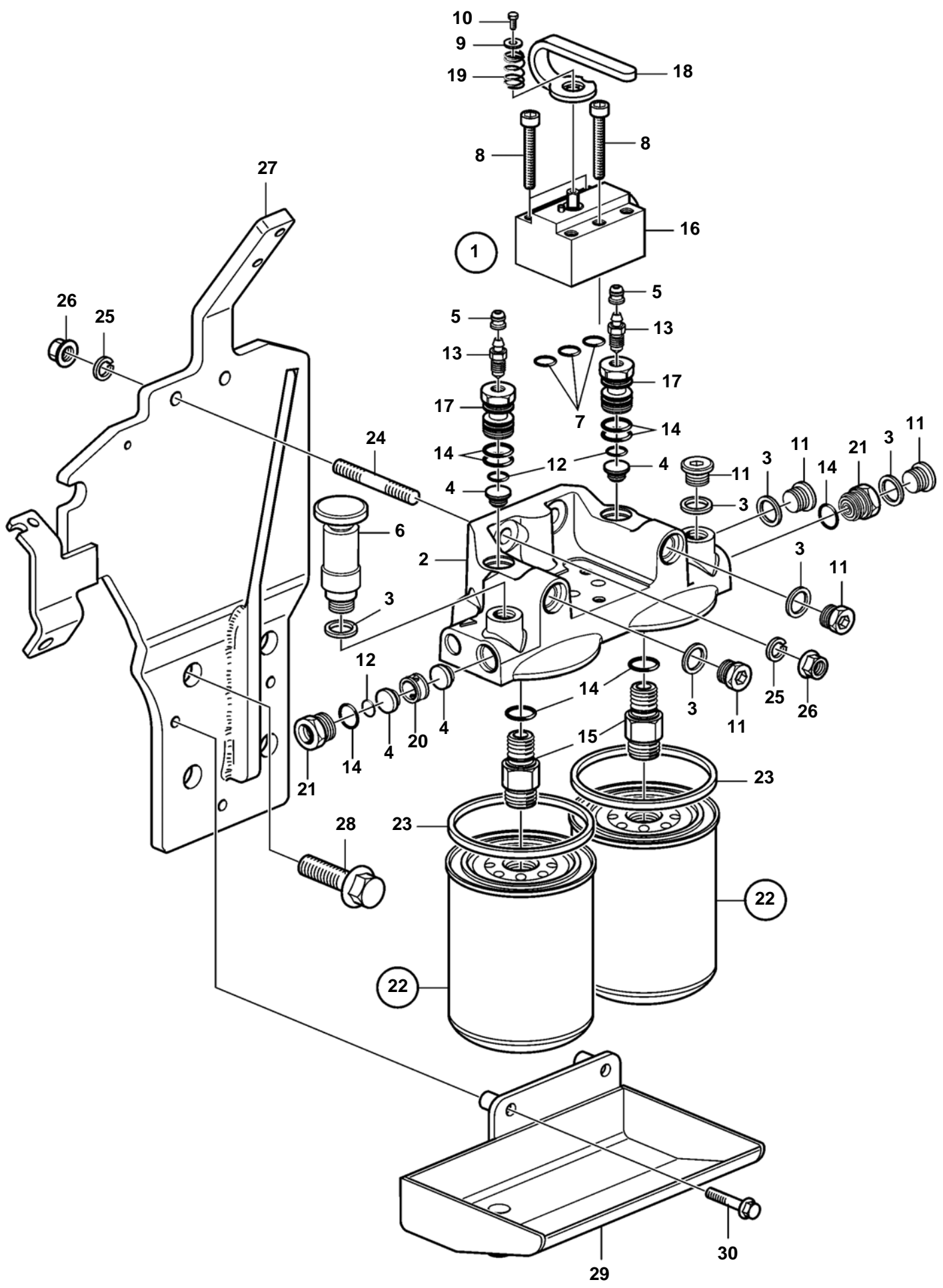
20359

D16C-A MG, D16C-A MG RC

REF	PART NO.	QTY	DESCRIPTION	NOTES
1	889281	1	Fuel filter	Metal bowl/heat shield. Flow max. 1363l/h
2	838506	2	· O-ring	
3	846719	2	· Gasket	
4	3838854	2	· Fuel filter insert	
5	940094	2	· Hexagon screw	
6	846719	2	· Gasket	
7	952075	2	· Plug	
8	3838851	2	· Bowl	
9	952075	2	· Plug	
10	3827300	2	· Block	
11	3827299	2	· Manometer	



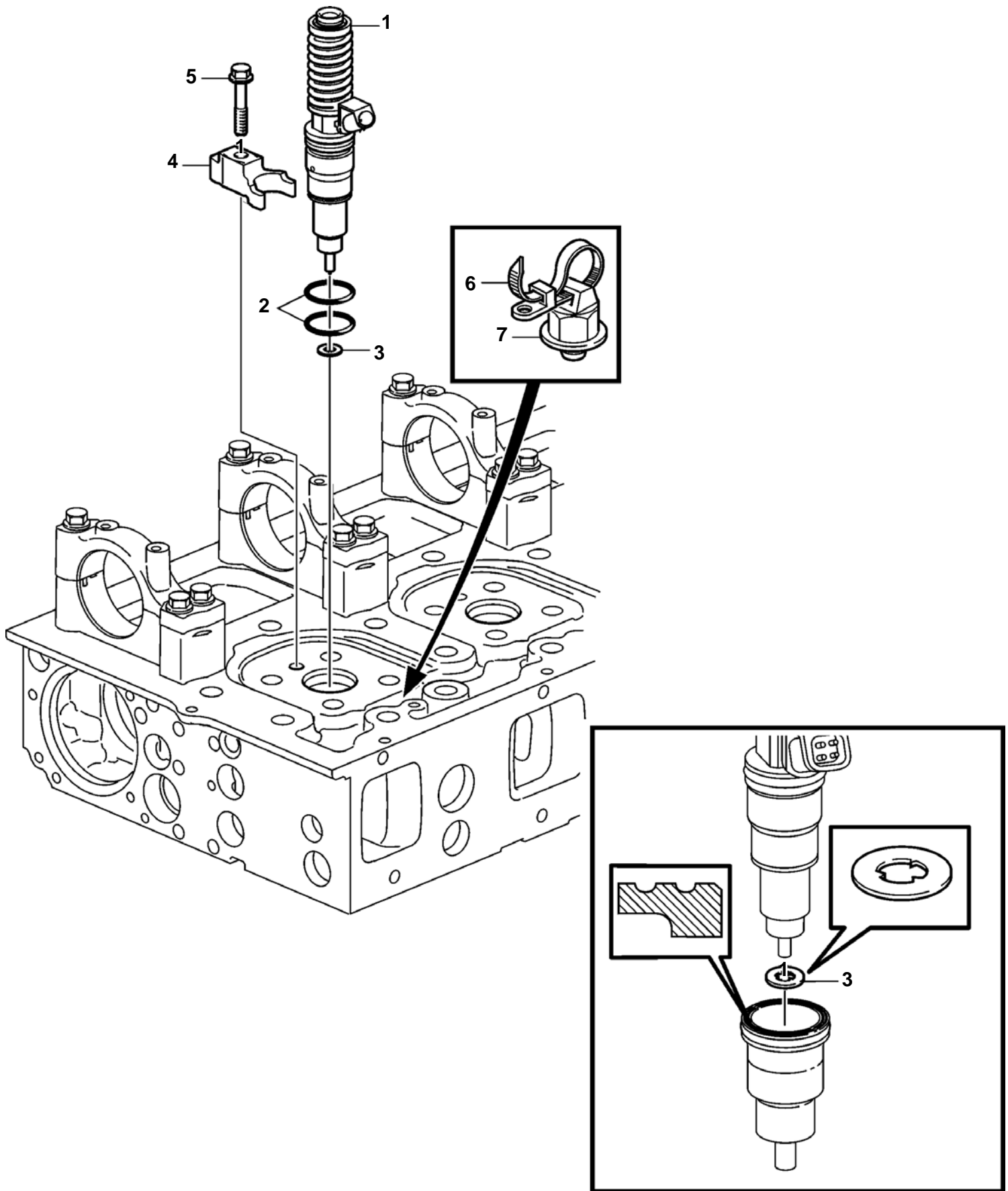
D16C-A MG, D16C-A MG RC



D16C-A MG, D16C-A MG RC

REF	PART NO.	QTY	DESCRIPTION	NOTES
1	3889532	1	Fuel filter housing	(3842872)
2	3808691	1	· Fuel filter housing	
3	11996	5	· Gasket	
4	244834	4	· Valve	
5	20547976	2	· Protecting cover	
6	3837393	1	· Hand pump	
7	944364	3	· O-ring	
8	959227	3	· Hex. socket screw	
9	3839116	1	· Cap washer	
10	963537	1	· Hexagon screw	
11	966143	5	· Plug	
12	976971	3	· O-ring	
13	20548012	2	· Faucet	
14	1526474	8	· O-ring	
15	3831210	2	· Nipple	
16	3835369	1	· Valve body	
17	3835370	2	· Nipple	
18	3842870	1	· Handle	
19	3842868	1	· Compression spring	
20	3964717	1	· Spacer sleeve	
21	8148328	2	· Nipple	
22	3888460	2	Fuel filter	
23		2	· Gasket	
24	977297	2	Stud	
25	941908	2	Spring washer	
26	971095	2	Flange nut	
27	40005169	1	Bracket	
28	968435	4	Flange screw	
29		1	Drip protection	
30	947760	3	Flange screw	

D16C-A MG



24999

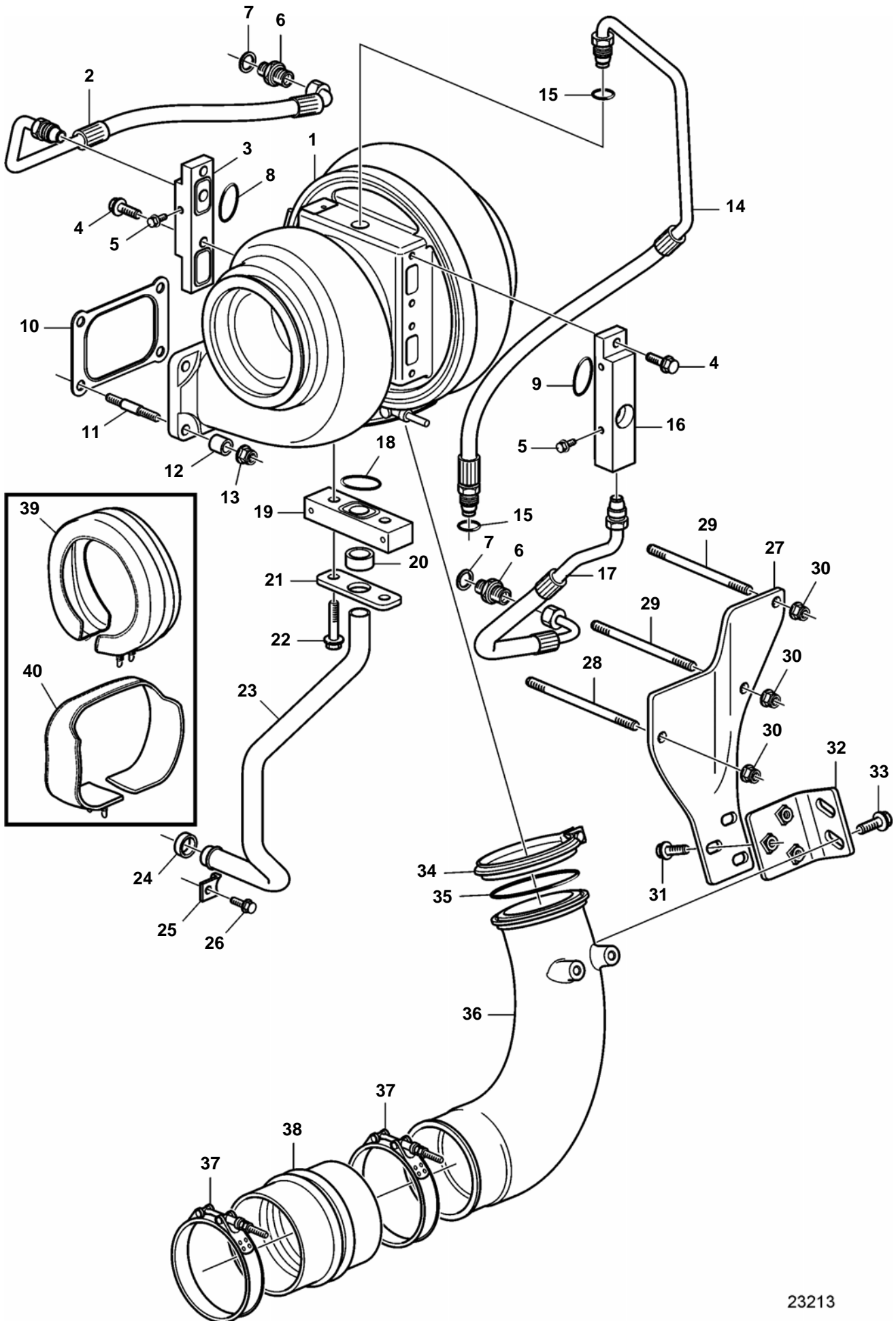




D16C-A MG, D16C-A MG RC

REF	PART NO.	QTY	DESCRIPTION	NOTES
1	3808218	1	Exhaust outlet	
2	914392	2	Plug	
3	947626	2	Gasket	
4	479979	1	Plug	
5	3887499	1	V-band clamp	
6	862950	2	Gasket	
7	865300	1	Compensator	
8	849981	1	Flange	
9	3886131	1	Muffler	7", for dry exhaust
	3886134	1	Muffler	7", for dry exhaust, With spark arrestor
		1	Muffler	8", for dry exhaust
		1	Muffler	8", for dry exhaust, With spark arrestor
10	955785	16	Hexagon nut	
11	941912	16	Spring washer	
12	955366	16	Hexagon screw	

D16C-A MG, D16C-A MG RC



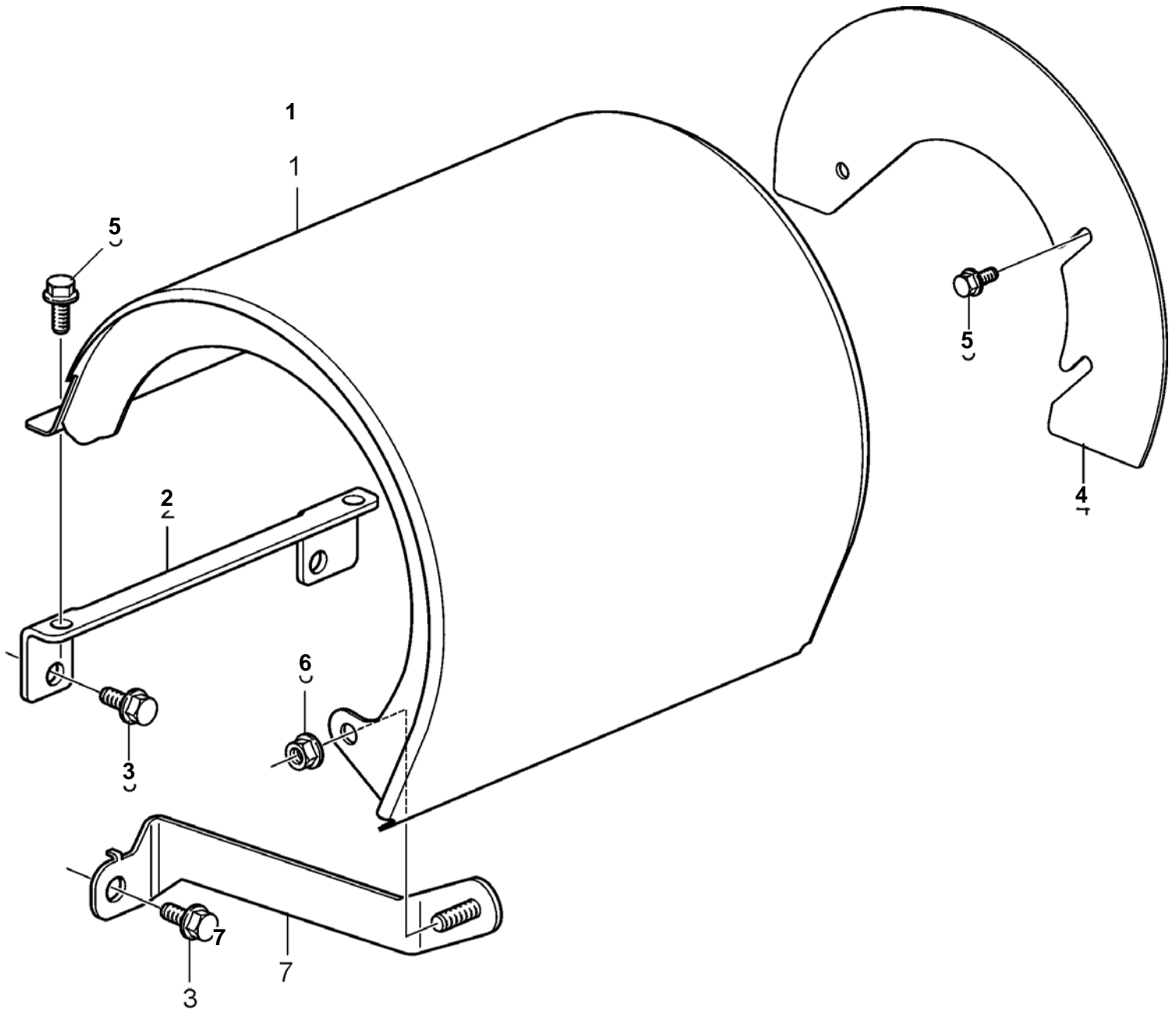
23213

**D16C-A MG, D16C-A MG RC**

REF	PART NO.	QTY	DESCRIPTION	SEE SEC.	NOTES
1	3801119	1	Turbocharger, exch		
2	3886690	1	Hose		
3	3886298	1	Outlet flange		
4	945444	4	Flange screw		
5	967949	3	Flange screw		
6	963948	2	Nipple		
7	11996	2	Gasket		
8	944126	2	O-ring		
9	944126	2	O-ring		
10	864859	1	Gasket		
11	20579303	4	Stud		
12	478344	4	Spacer sleeve		
13	1543499	4	Flange nut		
14	3849493	1	Hose		(3886694)
15	976971	2	O-ring		
16	3849486	1	Inlet flange		(3886296)
17	3886692	1	Hose		
18	925066	1	O-ring		
19	3886372	1	Flange connection		
20	469601	1	Sealing ring		
21	3886434	1	Flange		
22	947760	2	Flange screw		
23	3886955	1	Oil pipe		
24	1547255	1	Sealing ring		
25	1546531	1	Lock brace		
26	946440	1	Flange screw		
27	3885147	1	Bracket		
28		1	Stud	9888	
29		2	Stud	9888	
30		3	Nut	9888	
31	946173	3	Flange screw		
32	3885149	1	Bracket		
33	946329	1	Flange screw		
34	3886542	1	V-band clamp		
35	1675066	1	Sealing ring		
36	3818250	1	Charge air pipe		
37	20435760	2	Clamp		
38	3838792	1	Charge air hose		
39	3887846	1	Protection		
40	3887844	1	Protection		



D16C-A MG

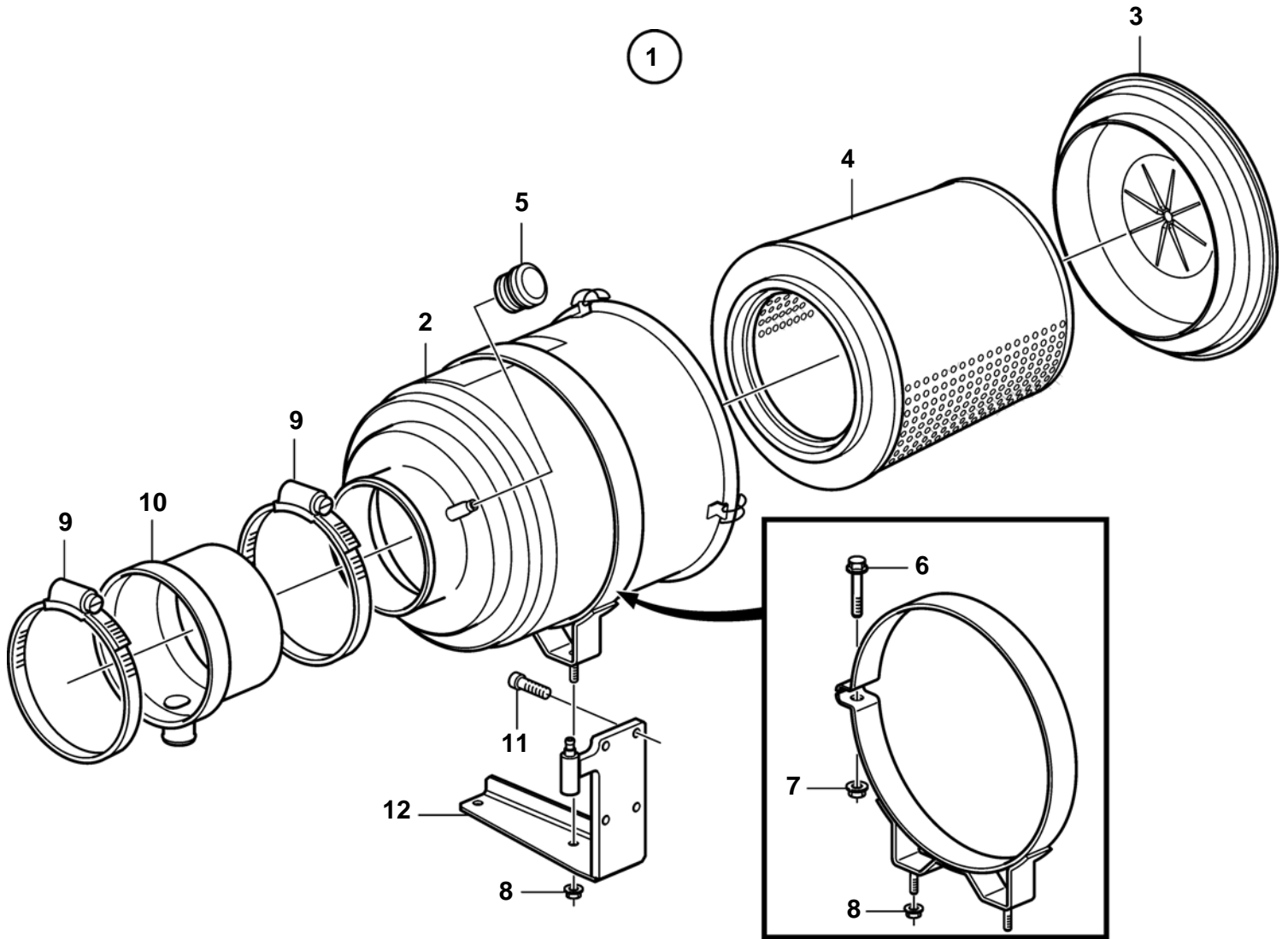


23214

## D16C-A MG

REF	PART NO.	QTY	DESCRIPTION
1	3589025	1	Heat shield
2	3843777	1	Bracket
3	946440	3	Flange screw
4	3886778	1	Heat shield
5	967949	3	Flange screw
6	945408	1	Flange nut
7	3843754	1	Bracket

D16C-A MG

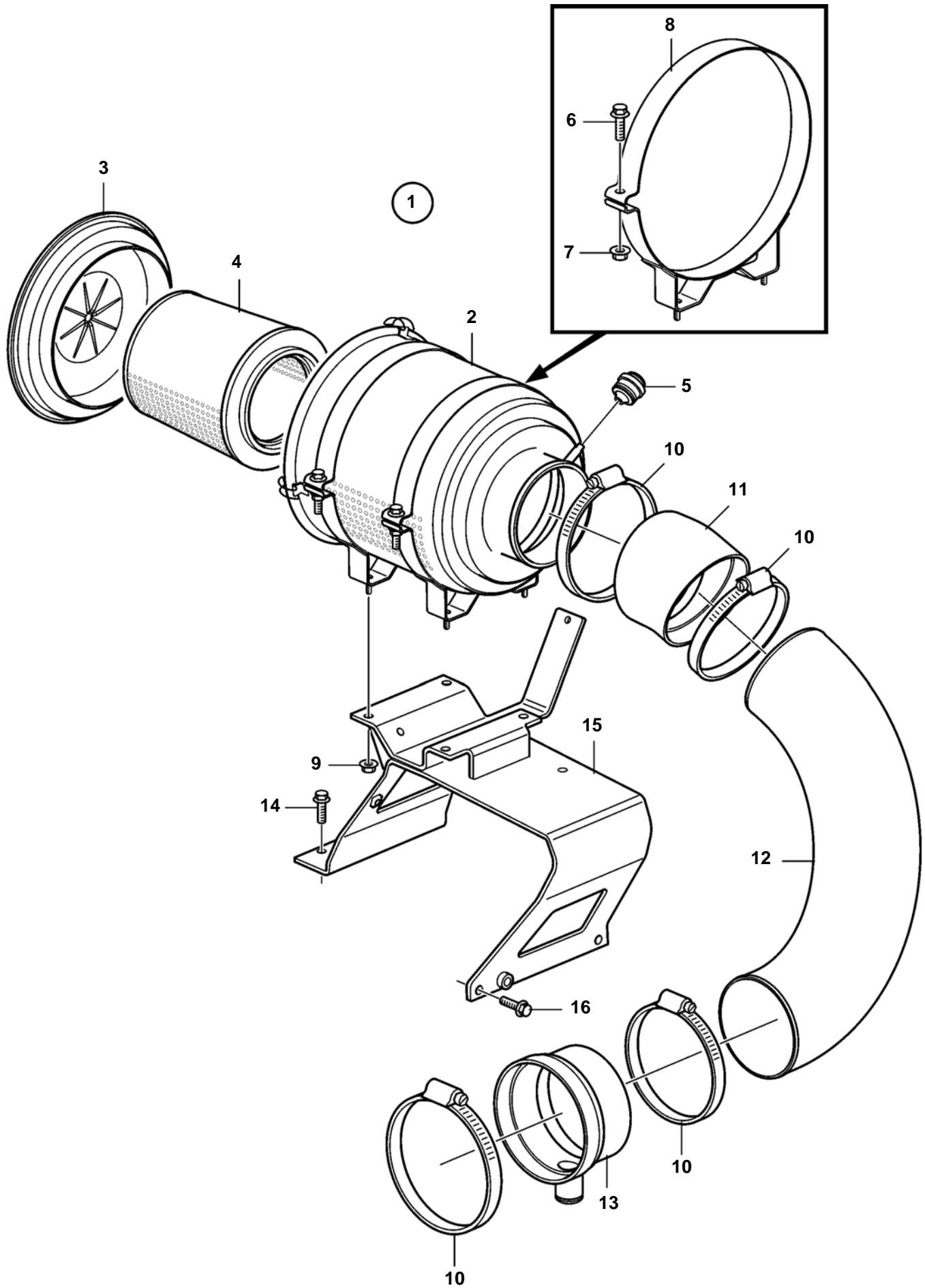


23897

**D16C-A MG**

REF	PART NO.	QTY	DESCRIPTION
1	3883947	1	Air filter
2		1	· Filter housing
3		1	· Lock
4	3885441	1	· Air filter insert
5	3828765	1	· Pressure drop indica
6		1	Flange screw
7		1	Flange nut
8	945408	2	Flange nut
9	961907	2	Hose clamp
10	3589027	1	Rubber collar
11	969842	4	6 point socket screw
12	3812294	1	Bracket

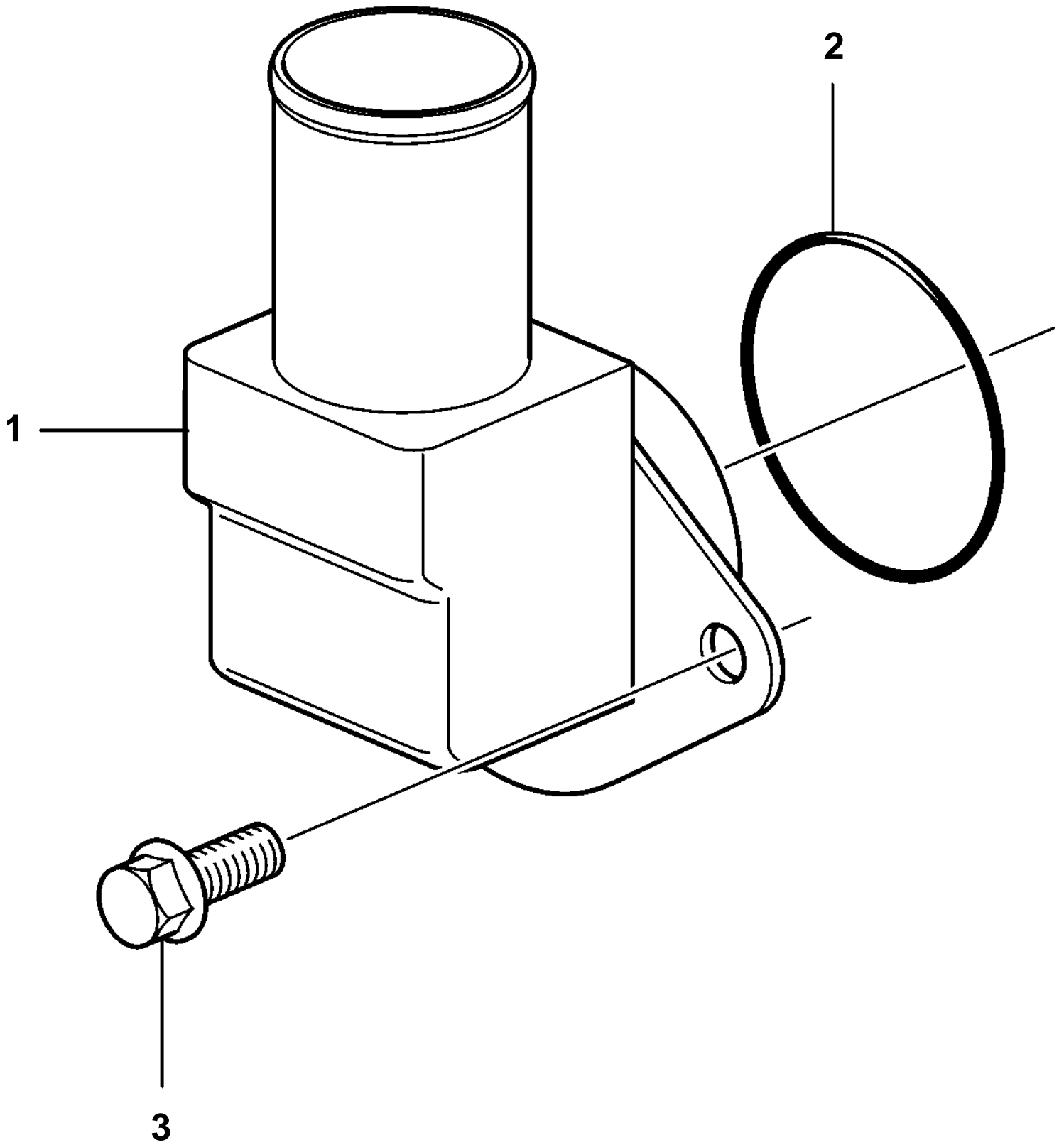
D16C-A MG RC



## D16C-A MG RC

REF	PART NO.	QTY	DESCRIPTION
1	3883947	1	Air filter
2		1	· Filter housing
3		1	· Lock
4	3885441	1	· Air filter insert
5	3828765	1	· Pressure drop indica
6		1	Flange screw
7		1	Flange nut
8	3594771	2	Clamp
9	945408	2	Flange nut
10	961907	4	Hose clamp
11	3594774	1	Rubber collar
12	3594387	1	Air tube
13	3589027	1	Rubber collar
14	946173	4	Flange screw
15	3594581	1	Bracket
16	946441	2	Flange screw

D16C-A MG, D16C-A MG RC



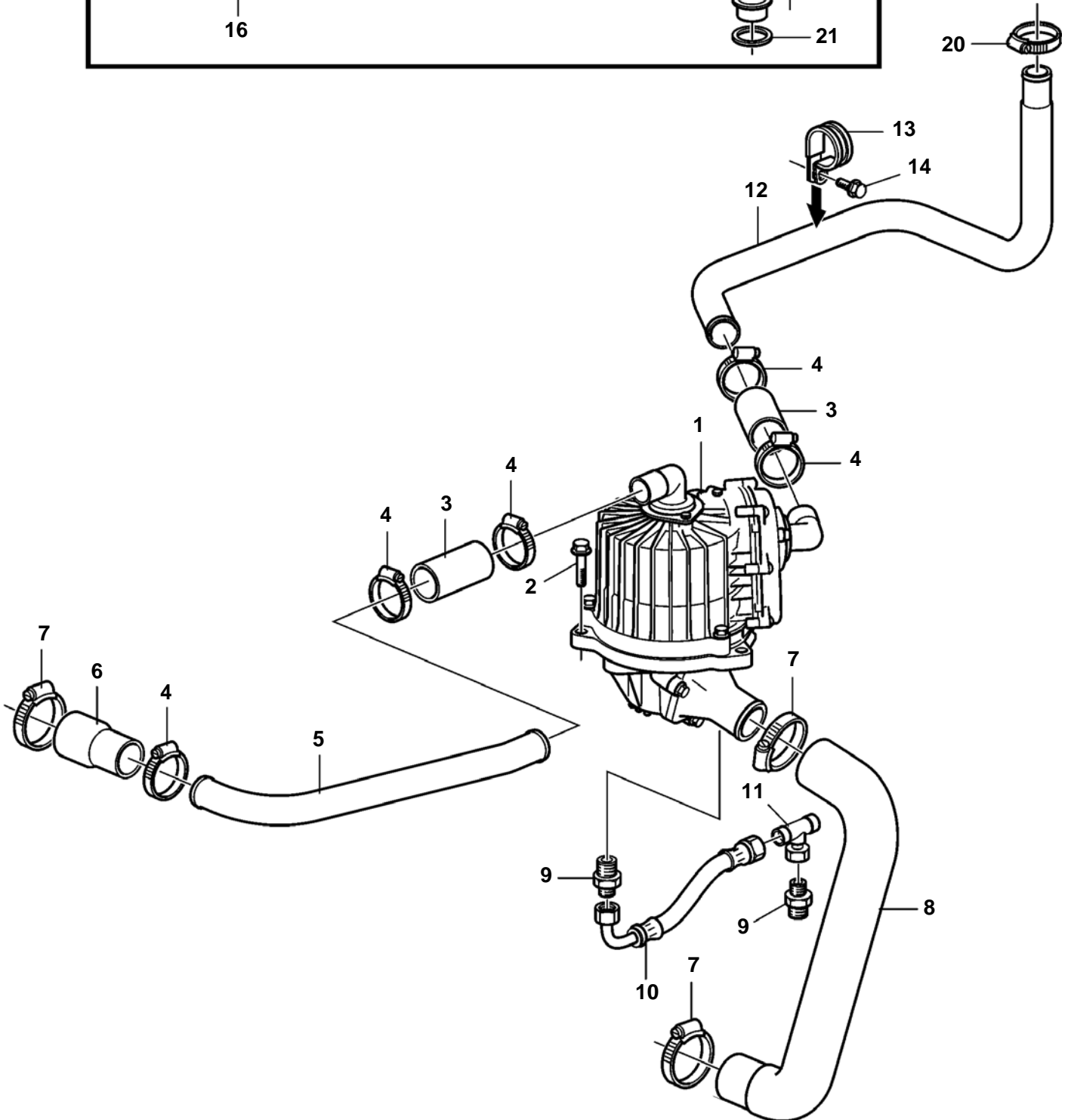
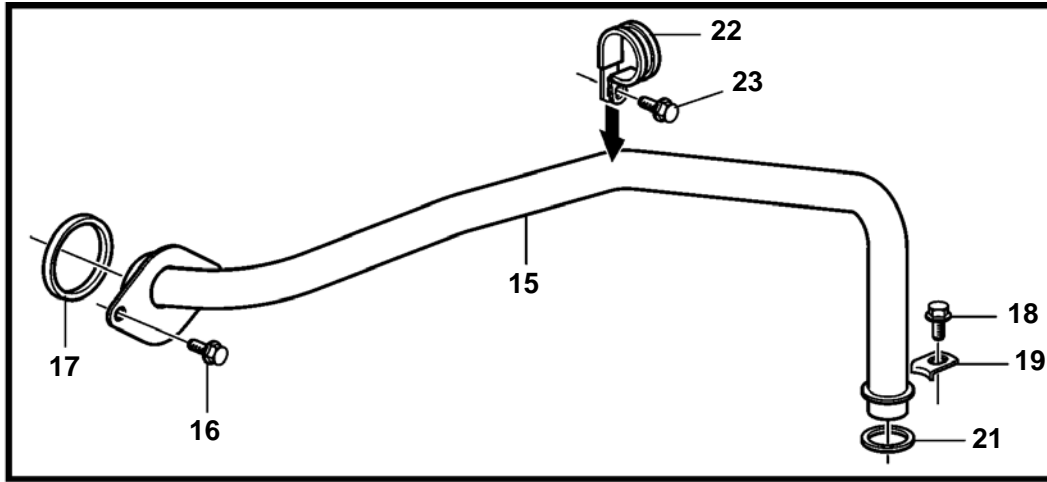
23901

D16C-A MG, D16C-A MG RC

REF	PART NO.	QTY	DESCRIPTION
1		1	Pipe
2	20723207	1	Sealing ring
3	946173	2	Flange screw



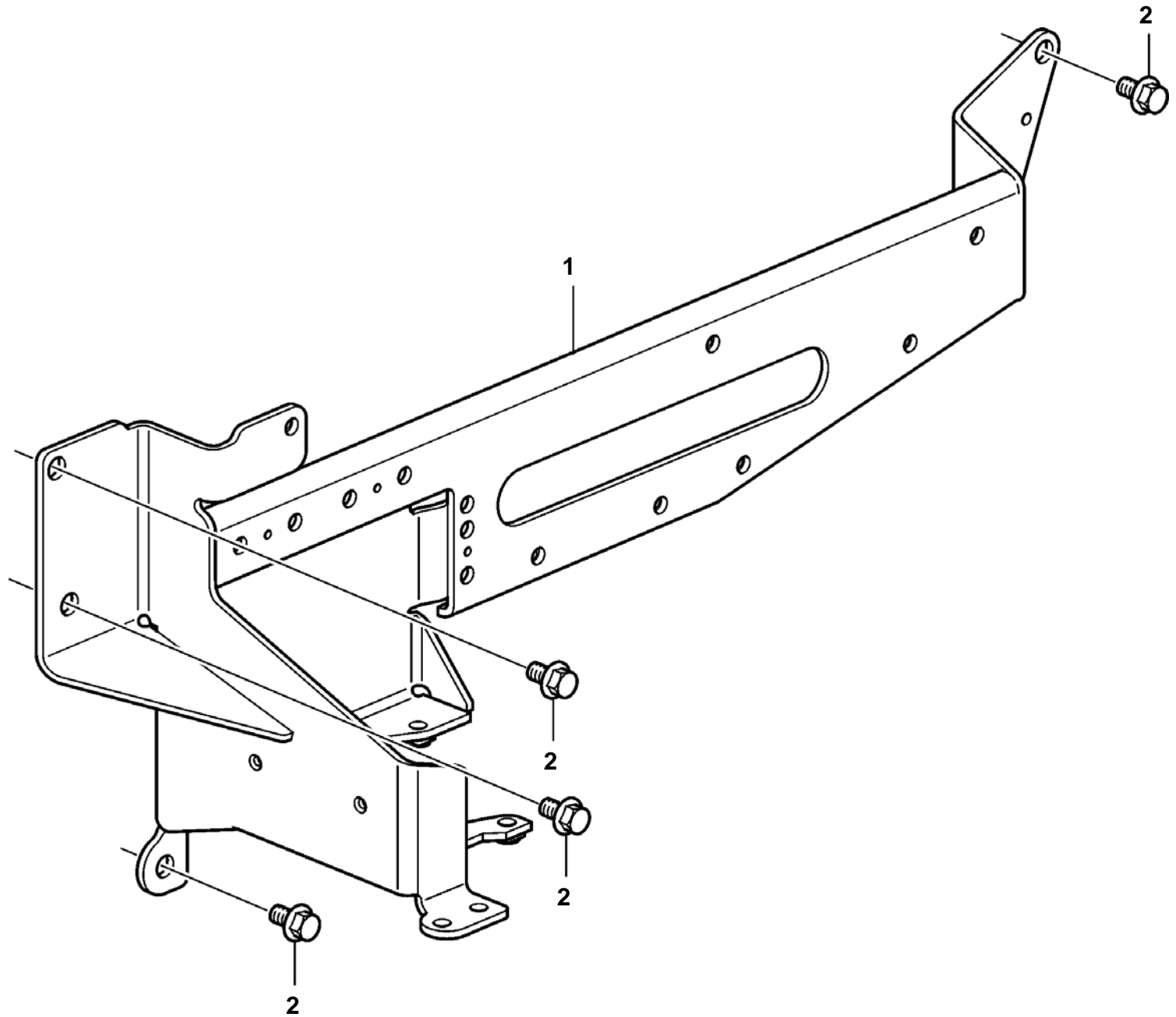
D16C-A MG, D16C-A MG RC



## D16C-A MG, D16C-A MG RC

REF	PART NO.	QTY	DESCRIPTION	NOTES
1	3888896	1	Oil separator	(3588982)
2	946671	3	Flange screw	
3	3808202	1	Hose	
4	853548	6	Hose clamp	
5	3841308	1	Oil pipe	
6	3883803	1	Hose	
7	961670	3	Hose clamp	
8	3588968	1	Hose	
9	991057	2	Nipple	
10	3819763	1	Oil hose	
11	944525	1	T-nipple	
12	3807828	1	Evacuation pipe	
13	952637	1	Clamp	
14	944926	1	Flange screw	
15	3595212	1	Oil pipe	(3841349)
16	946173	2	Flange screw	
17	20723207	1	Sealing ring	
18	944926	1	Flange screw	
19		1	Lock brace	
20	853548	1	Hose clamp	
21	1543578	1	Sealing ring	
22	952637	1	Clamp	
23	944926	1	Flange screw	

D16C-A MG, D16C-A MG RC

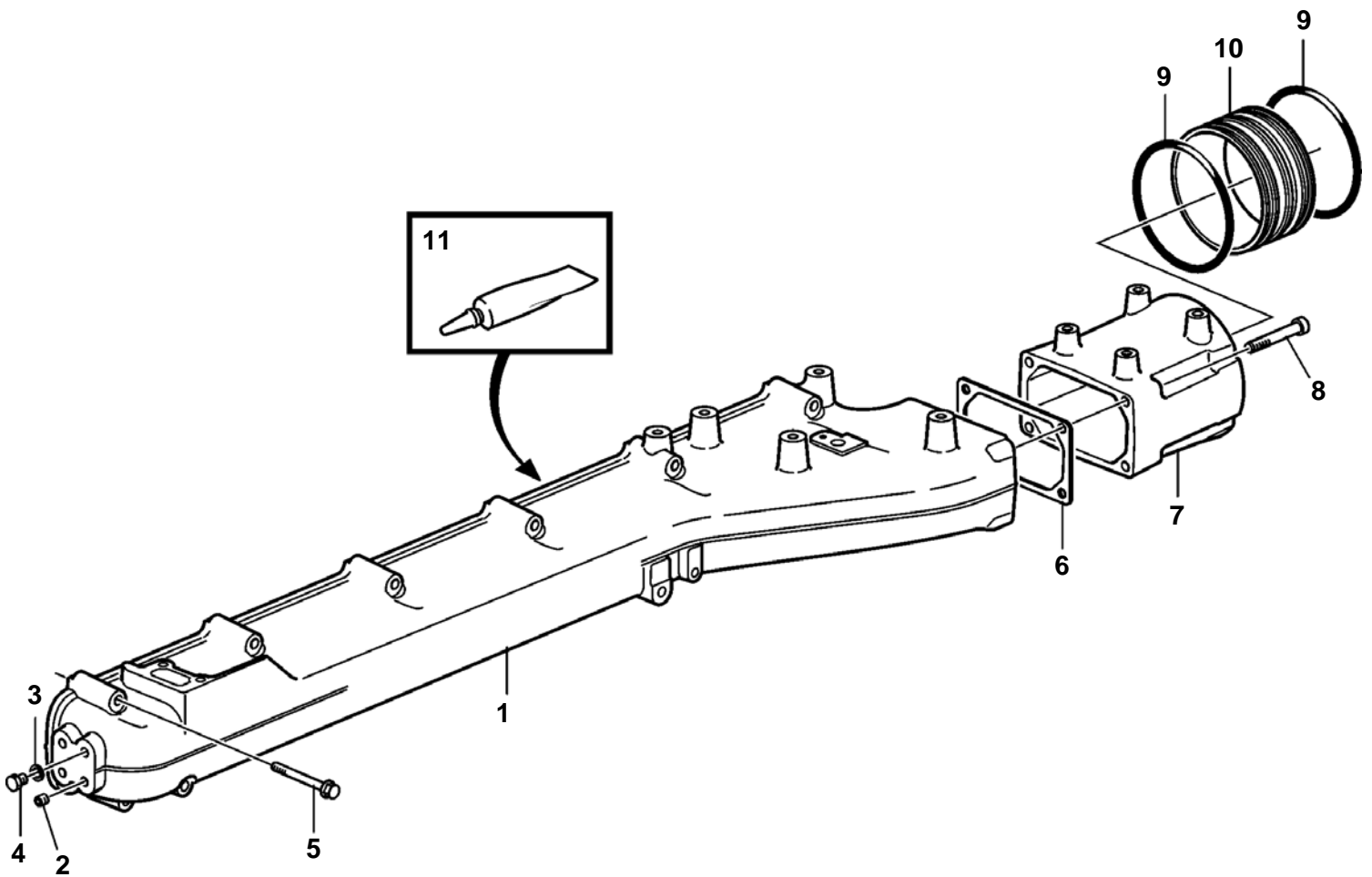
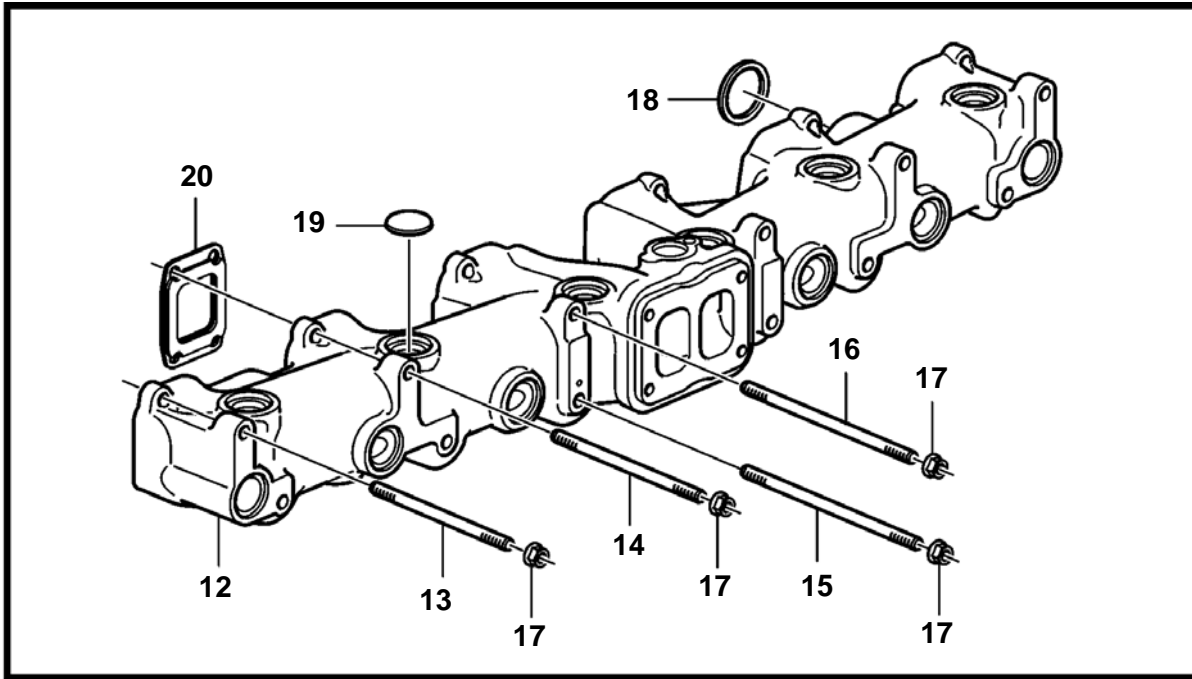


23926

D16C-A MG, D16C-A MG RC

REF	PART NO.	QTY	DESCRIPTION
1	3887727	1	Bracket
2	946471	5	Flange screw

D16C-A MG

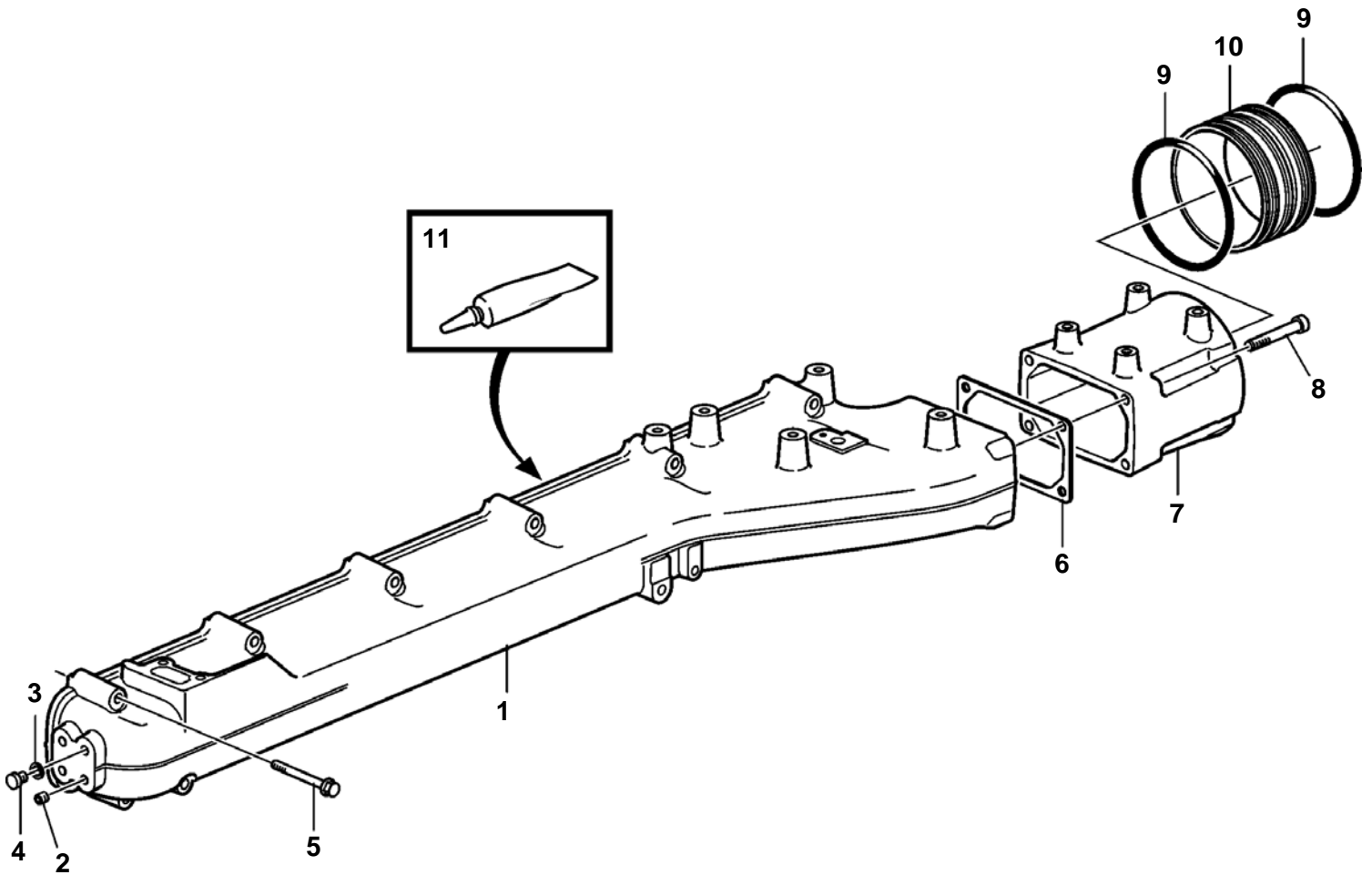
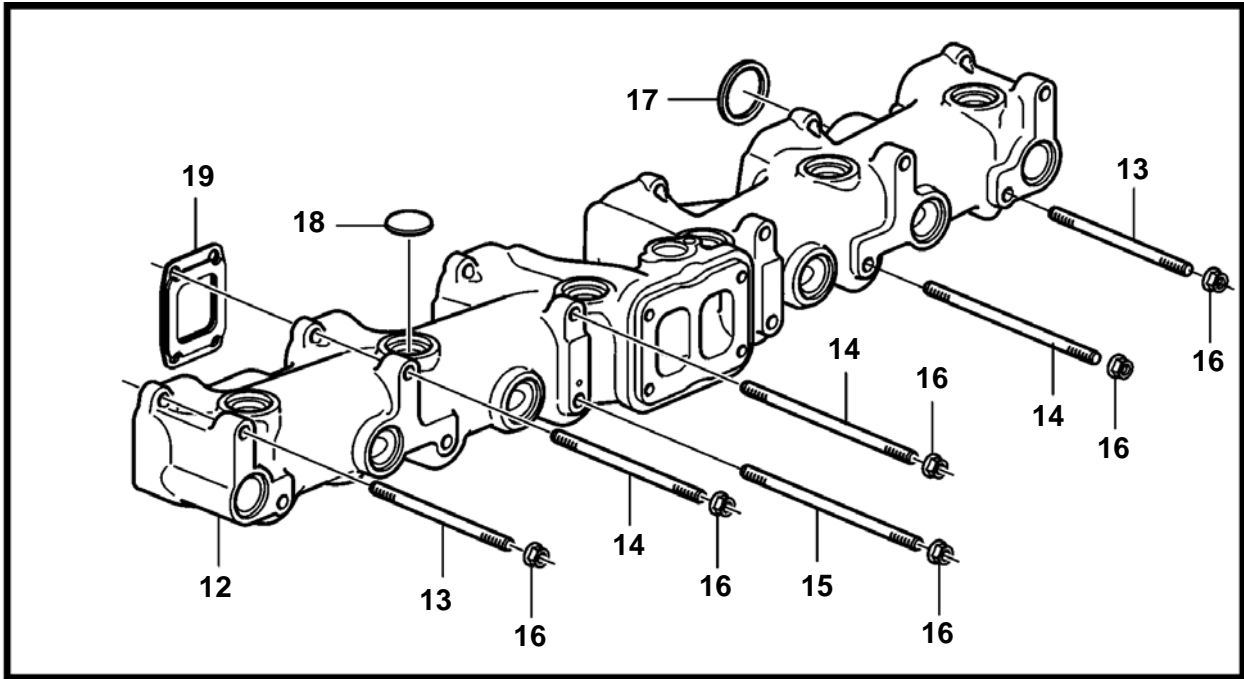


23209

## D16C-A MG

REF	PART NO.	QTY	DESCRIPTION	NOTES
1	3887300	1	Inlet pipe	
2	479979	1	Plug	
3	947281	1	Gasket	
4	960628	1	Plug	
5	965181	12	Flange screw	
6	477314	1	Gasket	
7	3819105	1	Adapter	
8	963702	4	Hex. socket screw	
9	3812484	2	O-ring	
10	3808387	1	Connector	
11	1161231	X	Sealant	
12	3809130	1	Exhaust manifold	Replaced by 21269432
	21269432	1	Exhaust manifold	
13	953007	4	Stud	
14	17378	4	Stud	
15	130200	2	Stud	
16	130201	2	Stud	
17	976432	12	Flange nut	
18	975693	2	O-ring	
19	968955	18	Expansion plug	
20	20744865	6	Gasket	

D16C-A MG



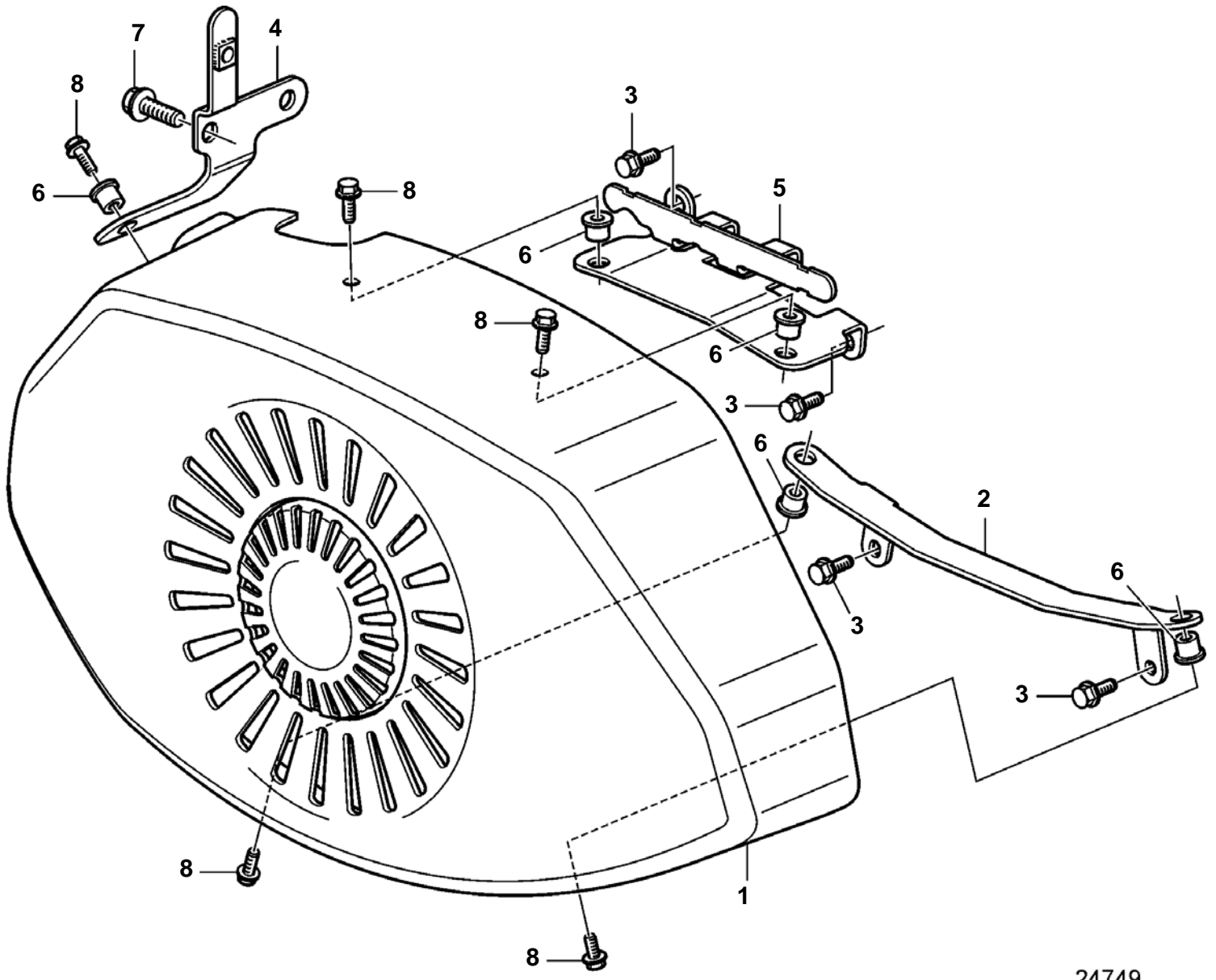
24925

## D16C-A MG

REF	PART NO.	QTY	DESCRIPTION
1	3887300	1	Inlet pipe
2	479979	1	Plug
3	947281	1	Gasket
4	960628	1	Plug
5	965181	12	Flange screw
6	477314	1	Gasket
7	3819105	1	Adapter
8	963702	4	Hex. socket screw
9	3812484	2	O-ring
10	3808387	1	Connector
11	1161231	X	Sealant
12	21322364	1	Exhaust manifold
13	980558	4	Stud
14	994077	6	Stud
15	994078	2	Stud
16	976432	12	Flange nut
17	975693	2	O-ring
18	968955	18	Expansion plug
19	21352841	6	Gasket



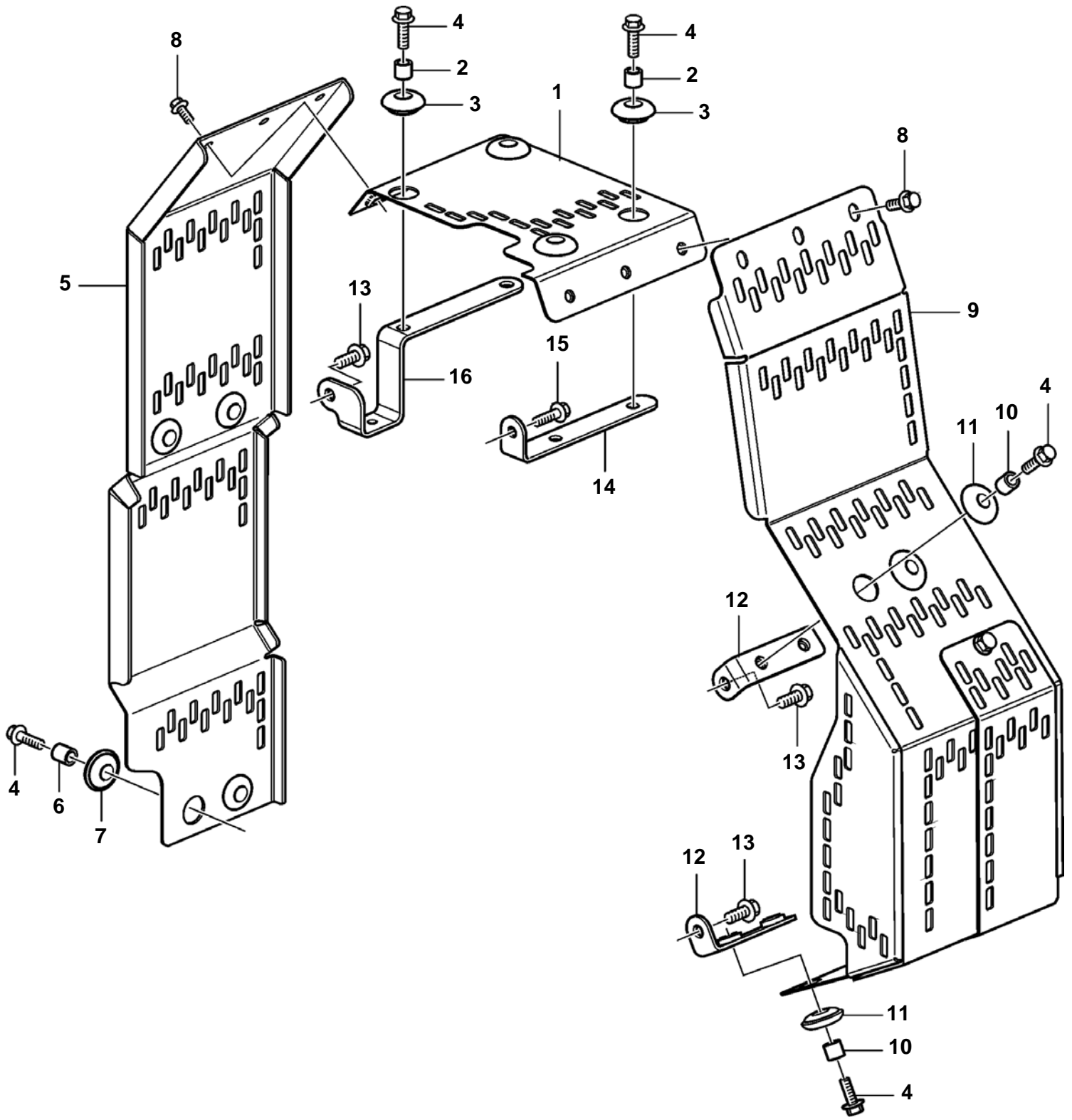
D16C-A MG



24749



D16C-A MG RC

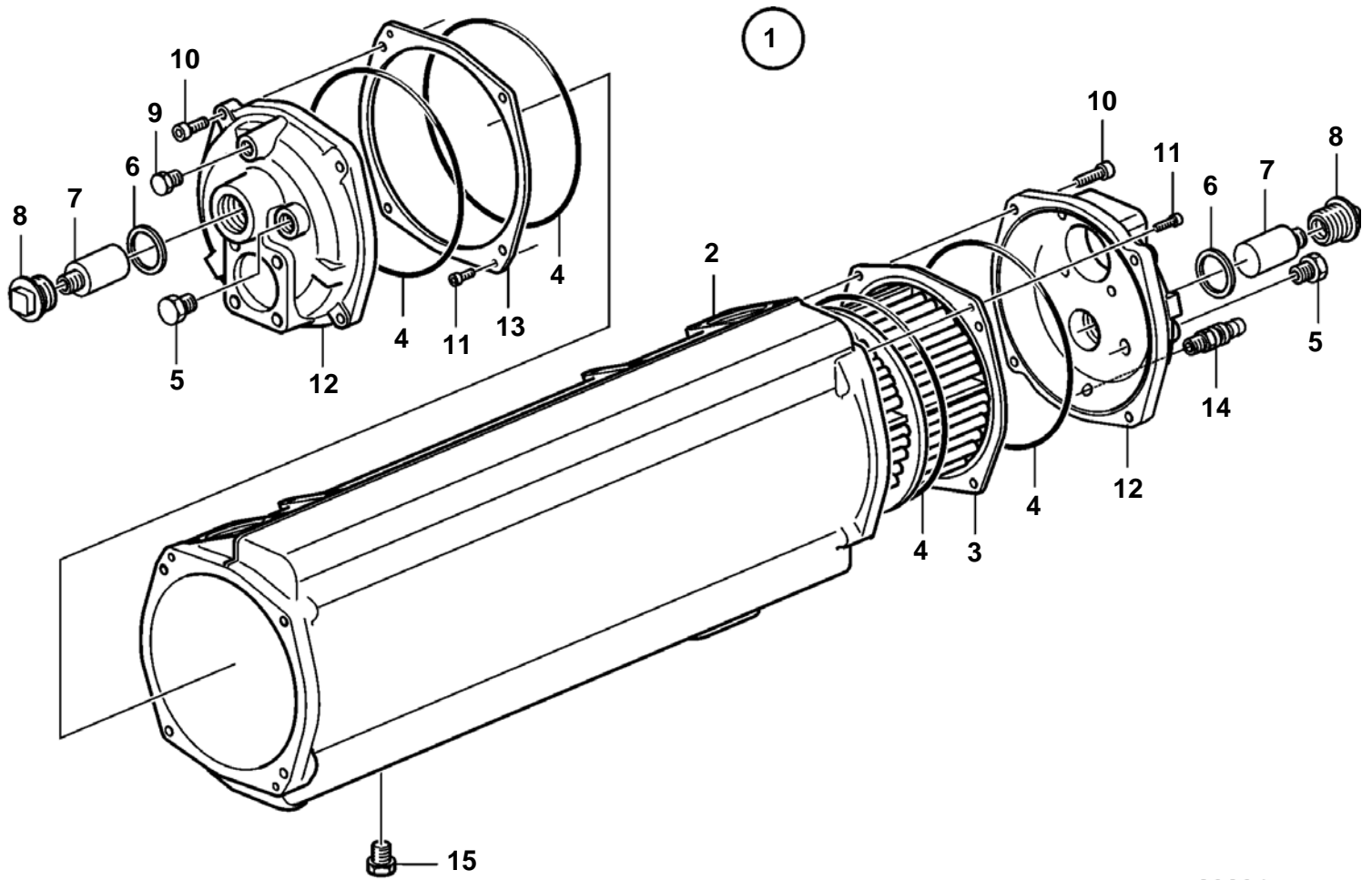


23981

## D16C-A MG RC

REF	PART NO.	QTY	DESCRIPTION
1	40005389	1	Protecting screen
2	3830336	4	· Spacer
3	3883499	4	· Rubber bushing
4	946173	12	Flange screw
5	3594769	1	Protecting screen
6	3830336	4	· Spacer
7	3883499	4	· Rubber bushing
8	947107	6	Flange screw
9	40005429	1	Protecting screen
10	3830336	4	· Spacer
11	3883499	4	· Rubber bushing
12	3828856	1	Bracket
13	946440	2	Flange screw
14	3883529	1	Bracket
15	946470	1	Flange screw
16	3839523	1	Bracket

D16C-A MG

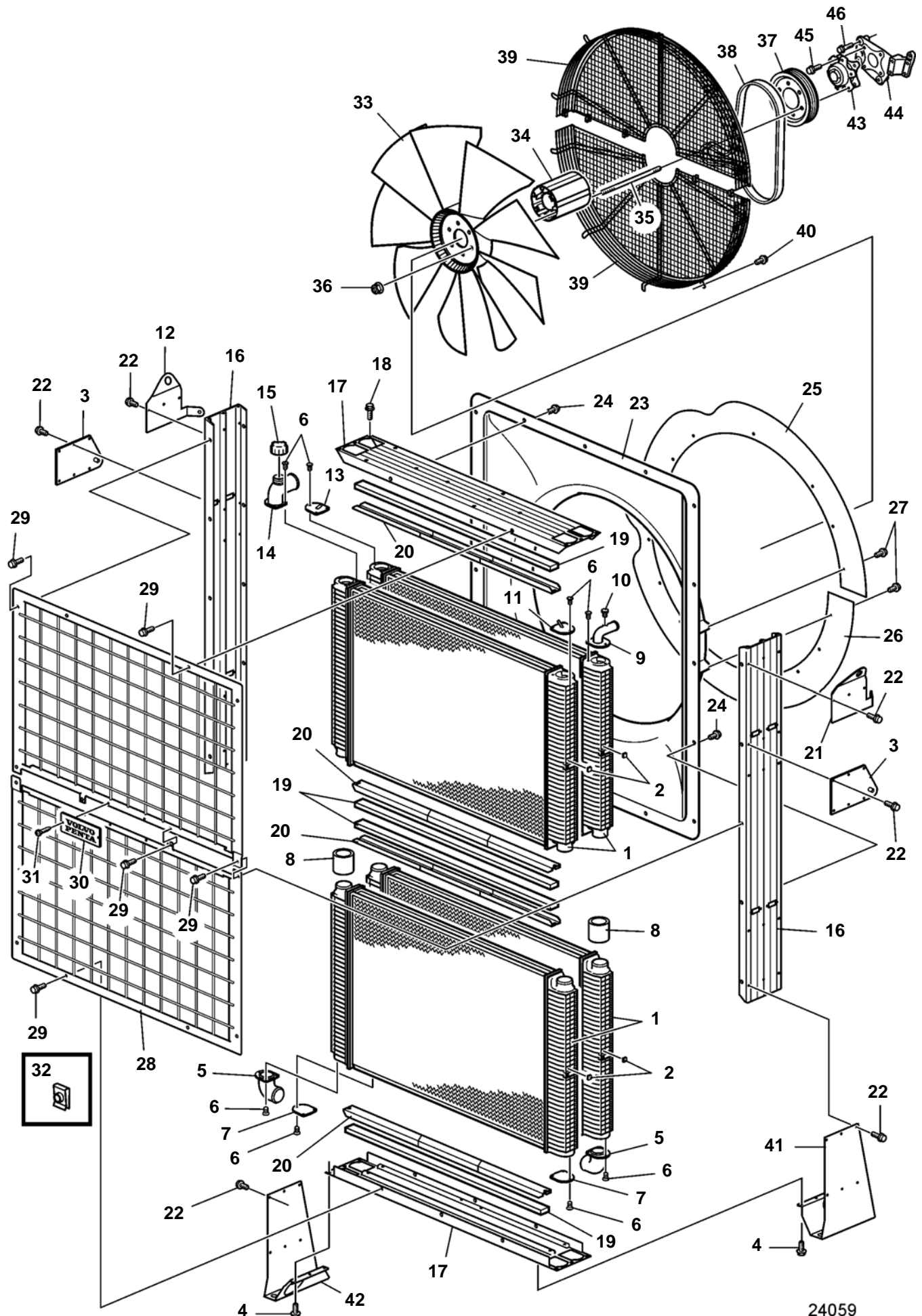


23231

## D16C-A MG

REF	PART NO.	QTY	DESCRIPTION
1	3819408	1	Heat exchanger
2		1	• Heat exchanger housi
3	3830696	1	• Insert
4	3826783	4	• O-ring
5	982364	2	• Plug
6	836169	2	• Gasket
7	823661	1	• Zinc anode
8	823662	2	• Plug
9	982363	1	• Plug
10	959224	8	• Hex. socket screw
11	942001	4	• Hex. socket screw
12	3819410	2	• End plate
13	3830694	1	• Spacer
14	949918	1	Shut-off cock
15	982363	1	Plug

D16C-A MG RC

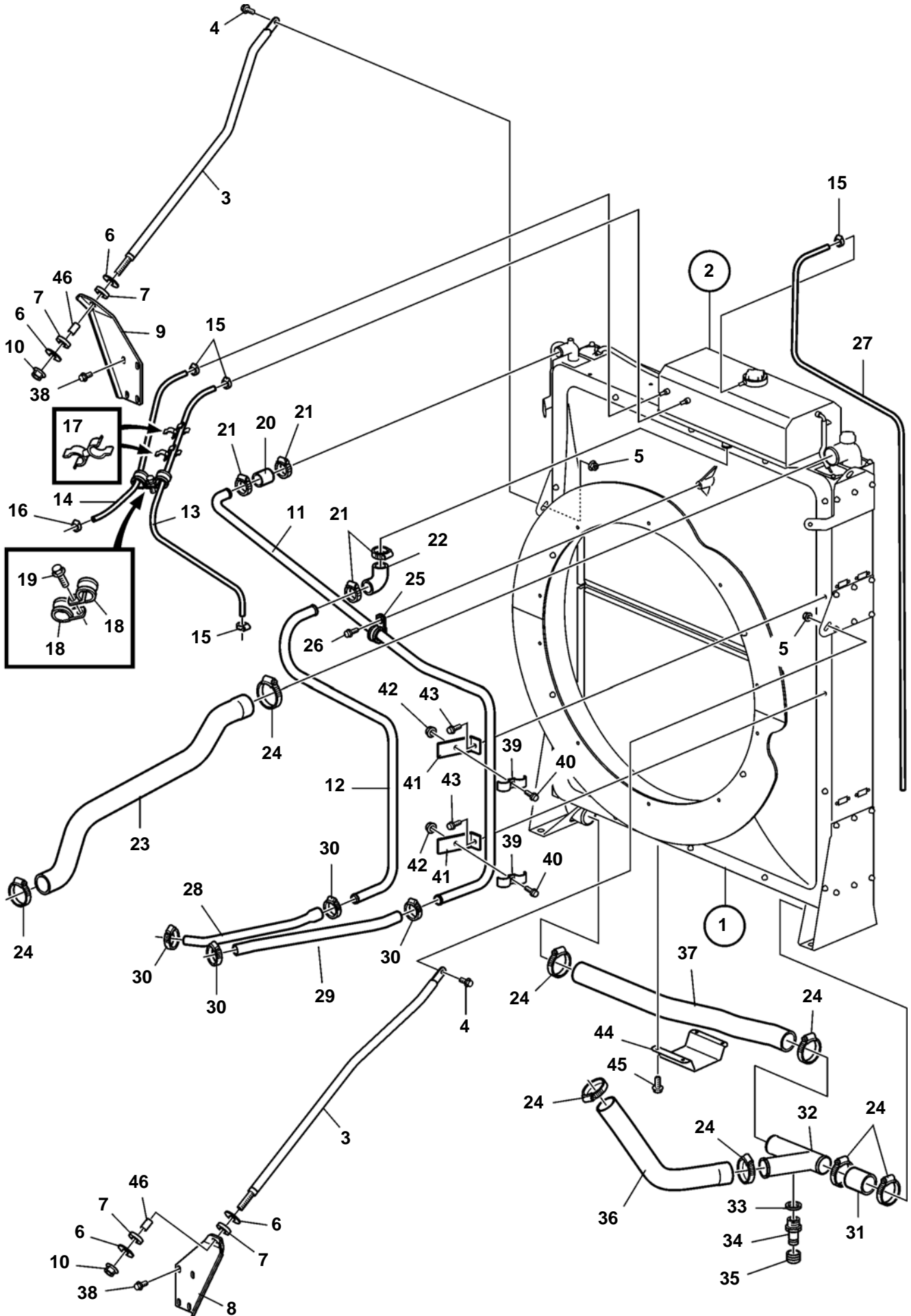


## D16C-A MG RC

REF	PART NO.	QTY	DESCRIPTION
1	3885432	4	Radiator
2	3595095	64	Rubber damper
3		2	Bracket
4	946173	12	Flange screw
5	3885183	2	Hose connection
6	942001	20	Hex. socket screw
7	3885187	1	Lid
8	3885228	2	Hose
9	3885186	1	Hose connection
10	3885237	1	Plug
11	3885189	1	Lid
12	3885361	1	Lifting eye
13	3885189	1	Lid
14	3885188	1	Hose connection
15	3886518	1	Filler cap
16	3885234	2	Frame profile
17	3885235	2	Frame profile
18	946173	20	Flange screw
19	3842333	8	Sealing strip
20		8	Frame
21	3885363	1	Lifting eye
22	946440	6	Flange screw
23	3589243	1	Fan shroud
24	947107	16	Flange screw
25	3887347	1	Fan ring
26	21109902	1	Fan ring
27	3842325	14	Screw
28	3829123	2	Radiator protector
29	946440	12	Flange screw
30	846118	1	Emblem
31	941651	2	Screw
32	3842114	X	Clip
33	3819799	1	Fan
34	3829537	1	Fan hub
35	130204	6	Stud
36	971095	6	Flange nut
37	3829958	1	Pulley
38	3883978	1	V-ribbed belt
39	3848153	2	Fan guard
40	3842325	10	Screw
41	3875054	1	Frame profile
42	3875055	1	Frame profile
43	3828804	1	Bearing housing
44	3830000	1	Bracket
45	946752	4	Flange screw
46	21344756	5	Screw



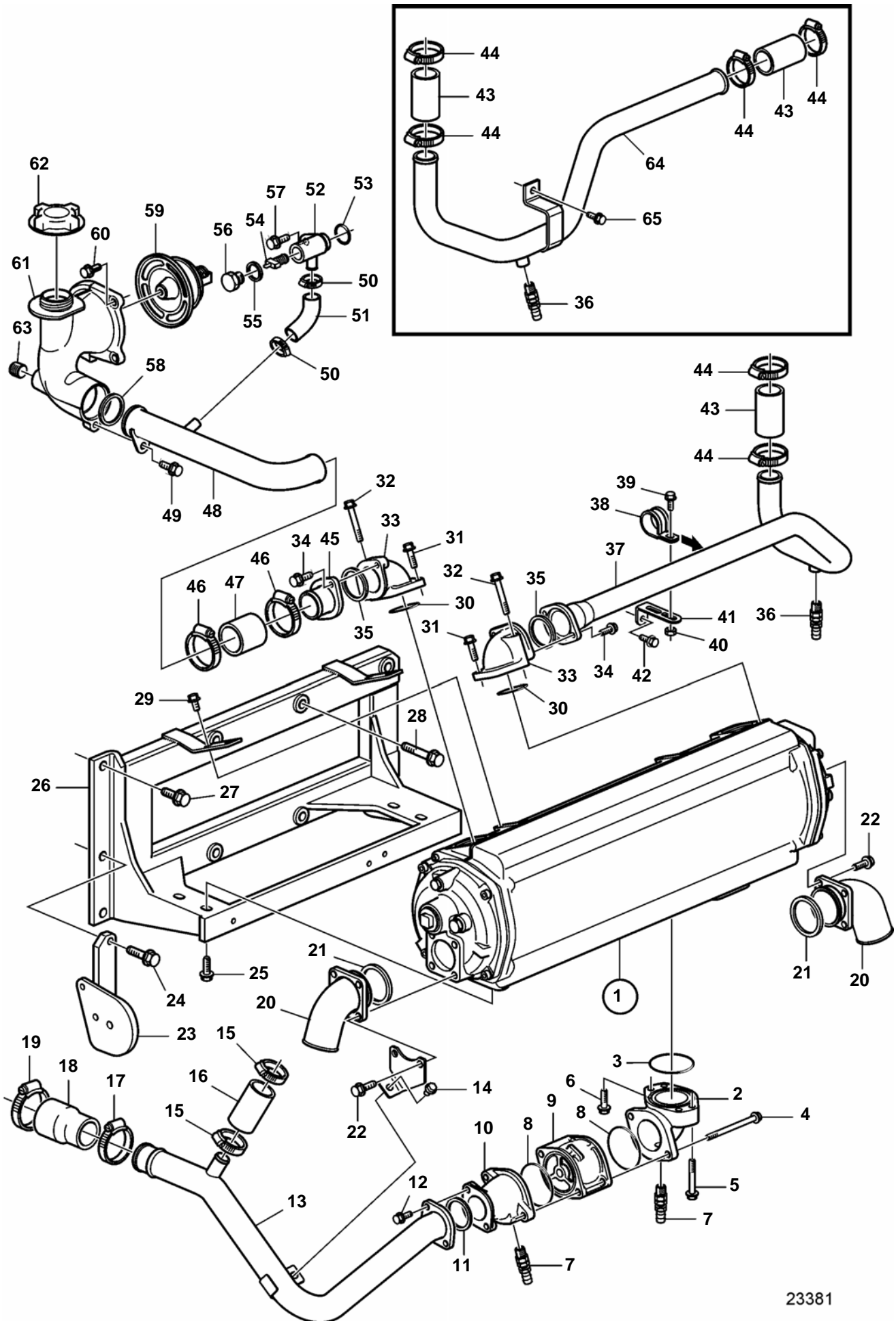
D16C-A MG RC



## D16C-A MG RC

REF	PART NO.	QTY	DESCRIPTION	SEE SEC.	NOTES
1		1	Radiator		
				22203	
2		1	Expansion tank		
				22291	
3	3594661	1	Stay		
4	946441	2	Flange screw		
5	971095	2	Flange nut		
6	948556	4	Washer		
7	866857	4	Rubber bushing		
8		1	Bracket		
9		1	Bracket		
10	966818	2	Flange nut		
11	3883179	1	Coolant pipe		
12	3883181	1	Coolant pipe		
13	943367	X	Rubber hose		L=1200mm
14	943366	X	Rubber hose		L=150mm
15	943470	4	Hose clamp		
16	943470	1	Hose clamp		
17	9205207	1	Retainer		
18	949747	1	Clamp		
19	946440	1	Flange screw		
20	3594076	1	Hose		
21	943475	4	Hose clamp		
22	3883208	1	Hose		
23	40005061	1	Hose		
24	943480	8	Hose clamp		
25	952640	1	Clamp		
26	946671	1	Flange screw		
27	943367	X	Rubber hose		L=2000mm
28	3594760	1	Hose		
29	952973	X	Hose		L=600mm
30	943476	4	Hose clamp		
31	3885228	1	Hose		
32	3875056	1	Pipe connection		
33	957185	1	Gasket		
34	1676622	1	Nipple		
35	476279	1	Protecting cap		
36	3589218	1	Hose		
37	3885229	1	Hose		
38	946441	8	Flange screw		
39	3841802	2	Clamp		
40	947760	2	Flange screw		
41	3883206	2	Bracket		
42	945408	2	Flange nut		
43	947107	2	Flange screw		
44	21133717	1	Bracket		
45	946440	4	Flange screw		
46	3594765	2	Bushing		

D16C-A MG

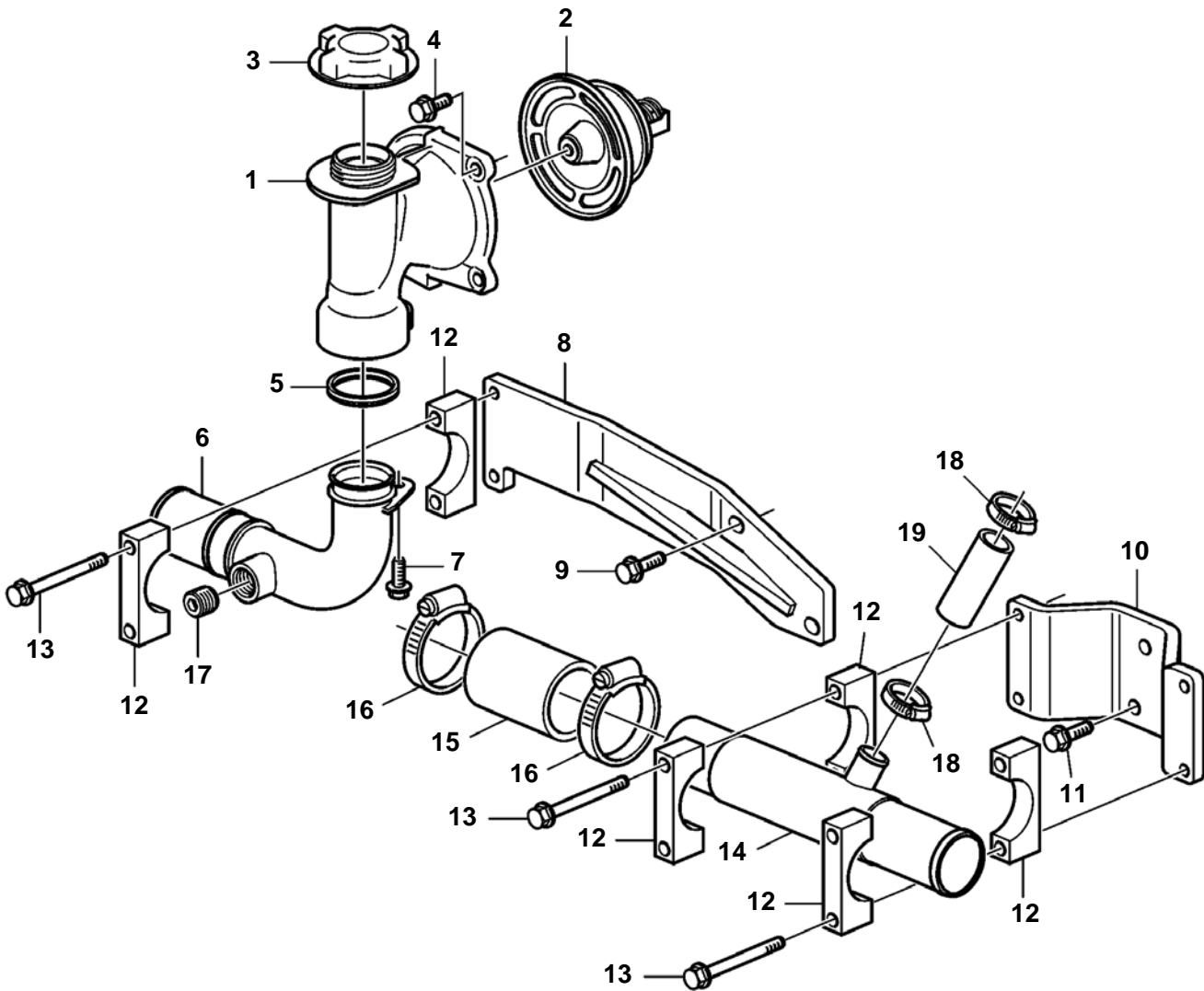
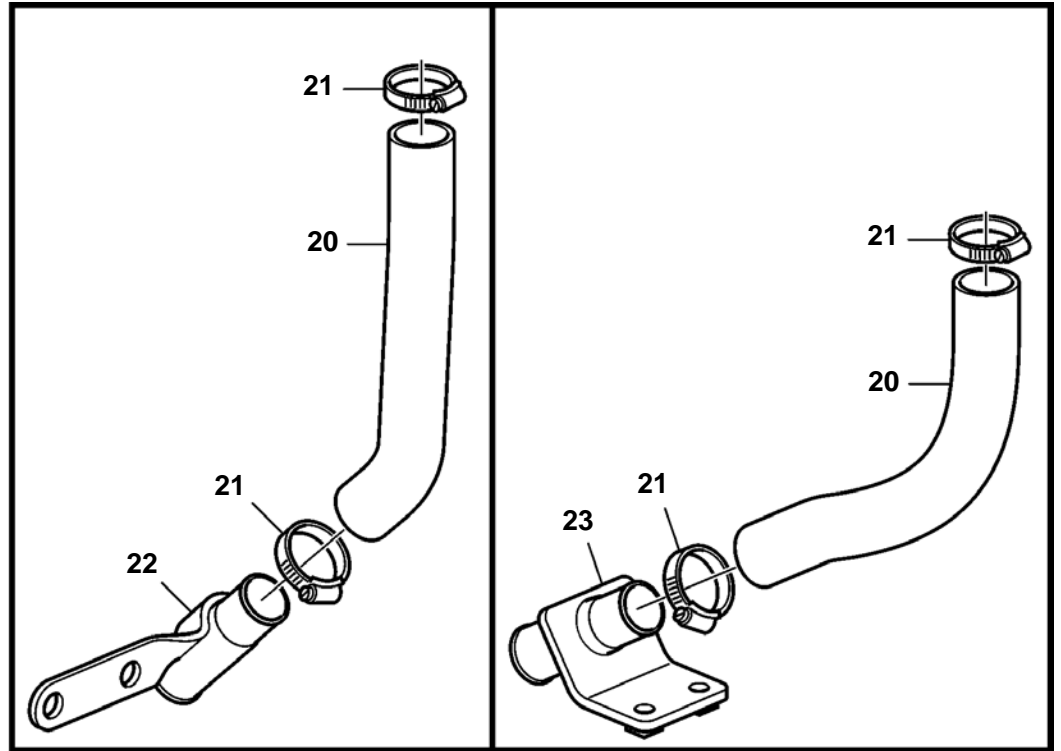


23381

D16C-A MG

REF	PART NO.	QTY	DESCRIPTION	SEE SEC.
1	3819408	1	Heat exchanger	
				9910
2	3818808	1	Pipe connection	
3	975675	1	O-ring	
4	965183	2	Flange screw	
5	946671	1	Flange screw	
6	947760	1	Flange screw	
7	949918	2	Shut-off cock	
8	925255	2	O-ring	
9	3884724	1	Overflow valve	
10	3809589	1	Adapter	
11	864491	1	Gasket	
12	946173	2	Flange screw	
13	3807111	1	Water pipe	
14	947107	1	Flange screw	
15	853548	2	Hose clamp	
16	969033	1	Rubber hose	
17	961671		Hose clamp	
18	3837438	1	Collar	
19	961672	1	Hose clamp	
20	3830255	2	Riser	
21	843584	2	Gasket	
22	945444	8	Flange screw	
23	3589160	1	Bracket	
24	965225	2	Flange screw	
25	946329	4	Flange screw	
26	3818684	1	Bracket	
27	946817	1	Flange screw	
28	965194	6	Flange screw	
29	946440	4	Flange screw	
30	925069	2	O-ring	
31	945444	2	Flange screw	
32	965180	2	Flange screw	
33	865821	2	Pipe connection	
34	946440	4	Flange screw	
35	864491	2	Gasket	
36	949918	2	Shut-off cock	
37	3841237	1	Water pipe	
38	952640	1	Clamp	
39	946440	1	Flange screw	
40	945407	1	Flange nut	
41	965558	1	Bracket	
42	948217	2	Flange screw	
43	3808196	3	Hose	
44	961669	6	Hose clamp	
45	3837473	1	Coolant pipe	
46	961671	2	Hose clamp	
47	858471	1	Hose	
48	3589049	1	Water pipe	
49	946440	1	Flange screw	
50	961665	2	Hose clamp	
51	3885219	1	Hose	
52	3841640	1	Valve	
53	1547252	1	· Sealing ring	
54	3809467	1	· Valve	
55	947625	1	· Gasket	
56		1	· Plug	
57	946440	1	Flange screw	
58	1547253	1	Sealing ring	
59	20560252	1	Thermostat	
60	946173	4	Flange screw	
61	3843110	1	Cover	
62	1674922	1	Filler cap	
63	968146	1	Plug	
64	3841239	1	Water pipe	
65	946440	1	Flange screw	

D16C-A MG



## D16C-A MG

REF	PART NO.	QTY	DESCRIPTION	NOTES
1	3589047	1	Thermostat housing	
2	20560252	1	Thermostat	
3	1674922	1	Filler cap	
4	946173	4	Flange screw	
5	1547253	1	Sealing ring	
6	3819892	1	Water pipe	
7	946440	1	Flange screw	
8		1	Bracket	
9	946329	2	Flange screw	
10		1	Bracket	
11	946329	2	Flange screw	
12		6	Bracket	
13	965182	6	Flange screw	
14	3840089	1	Water pipe	
15	984968	1	Rubber hose	L=90mm
16	961672	2	Hose clamp	
17	968146	1	Plug	
18	853548	2	Hose clamp	
19	969033	1	Rubber hose	L=90mm
20	952974	1	Hose	
21	961669	2	Hose clamp	
22	3819018	1	Bracket	
23	3887049	1	Bracket	

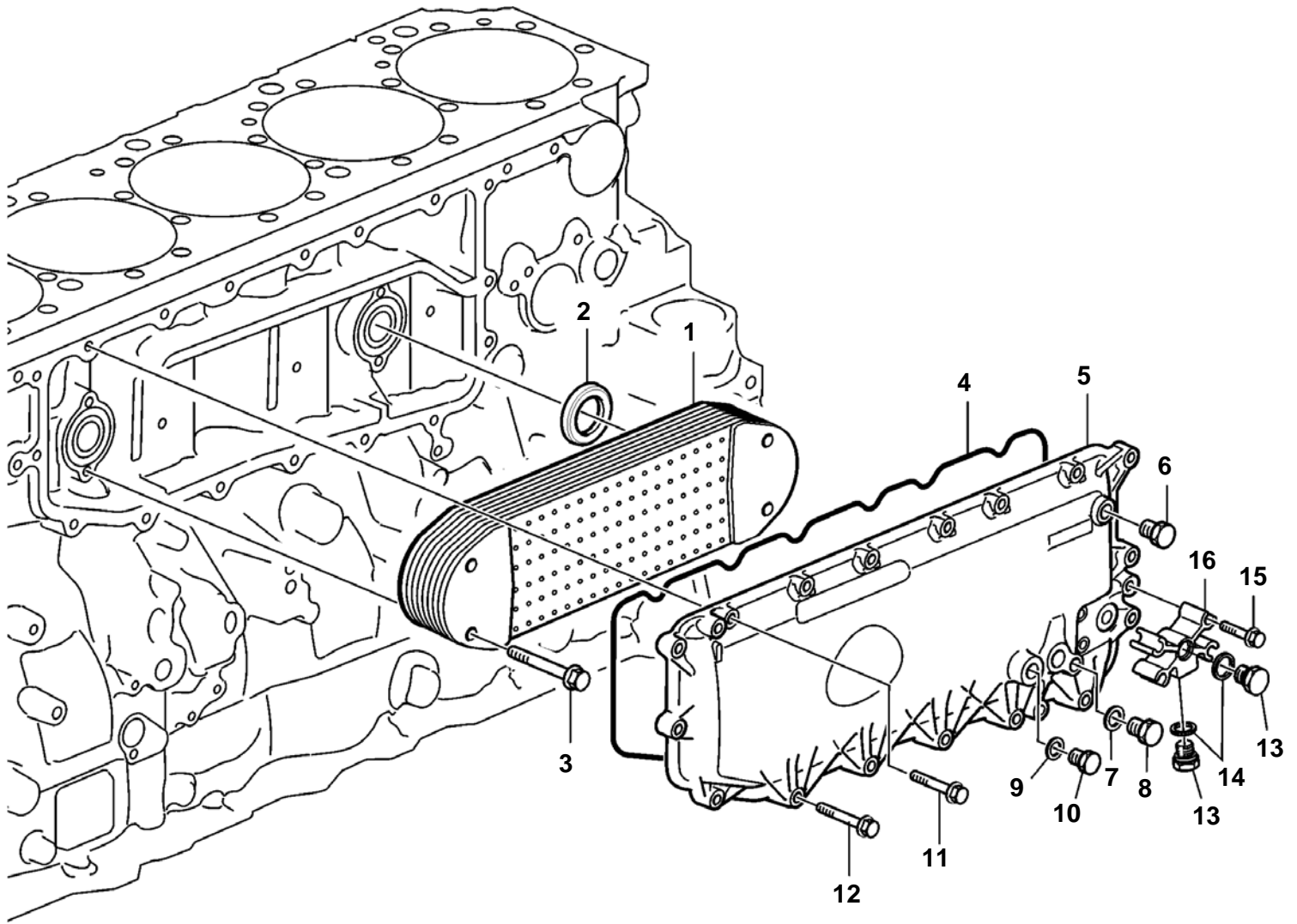


## D16C-A MG

REF	PART NO.	QTY	DESCRIPTION	SEE SEC.
1	3819408	1	Heat exchanger	
				9910
2	3818808	1	Pipe connection	
3	975675	1	O-ring	
4	965183	2	Flange screw	
5	946671	1	Flange screw	
6	947760	1	Flange screw	
7	949918	2	Shut-off cock	
8	925255	2	O-ring	
9	3812314	1	Overflow valve	
10	3809589	1	Adapter	
11	864491	1	Gasket	
12	946173	2	Flange screw	
13	3807111	1	Water pipe	
14	947107	1	Flange screw	
15	853548	2	Hose clamp	
16	969033	1	Rubber hose	
17	961671		Hose clamp	
18	3837438	1	Collar	
19	961672	1	Hose clamp	
20	3830255	1	Riser	
21	843584	1	Gasket	
22	945444	4	Flange screw	
23	3589160	1	Bracket	
24	965225	2	Flange screw	
25	946329	4	Flange screw	
26	3818684	1	Bracket	
27	946817	1	Flange screw	
28	965194	6	Flange screw	
29	946440	4	Flange screw	
30	925069	2	O-ring	
31	945444	2	Flange screw	
32	965180	2	Flange screw	
33	865821	2	Pipe connection	
34	946440	4	Flange screw	
35	864491	2	Gasket	
36	949918	2	Shut-off cock	
37	3841237	1	Water pipe	
38	952640	1	Clamp	
39	946440	1	Flange screw	
40	945407	1	Flange nut	
41	965558	1	Bracket	
42	948217	2	Flange screw	
43	3808196	3	Hose	
44	961669	6	Hose clamp	
45	3837473	1	Coolant pipe	
46	961671	2	Hose clamp	
47	858471	1	Hose	
48	3589049	1	Water pipe	
49	946440	1	Flange screw	
50	961665	2	Hose clamp	
51	3885219	1	Hose	
52	3841640	1	Valve	
53	1547252	1	· Sealing ring	
54	3809467	1	· Valve	
55	947625	1	· Gasket	
56		1	· Plug	
57	946440	1	Flange screw	
58	1547253	1	Sealing ring	
59	20560252	1	Thermostat	
60	946173	4	Flange screw	
61	3843110	1	Cover	
62	1674922	1	Filler cap	
63	968146	1	Plug	
64	3841239	1	Water pipe	
65	946440	1	Flange screw	



D16C-A MG, D16C-A MG RC



23220

## D16C-A MG, D16C-A MG RC

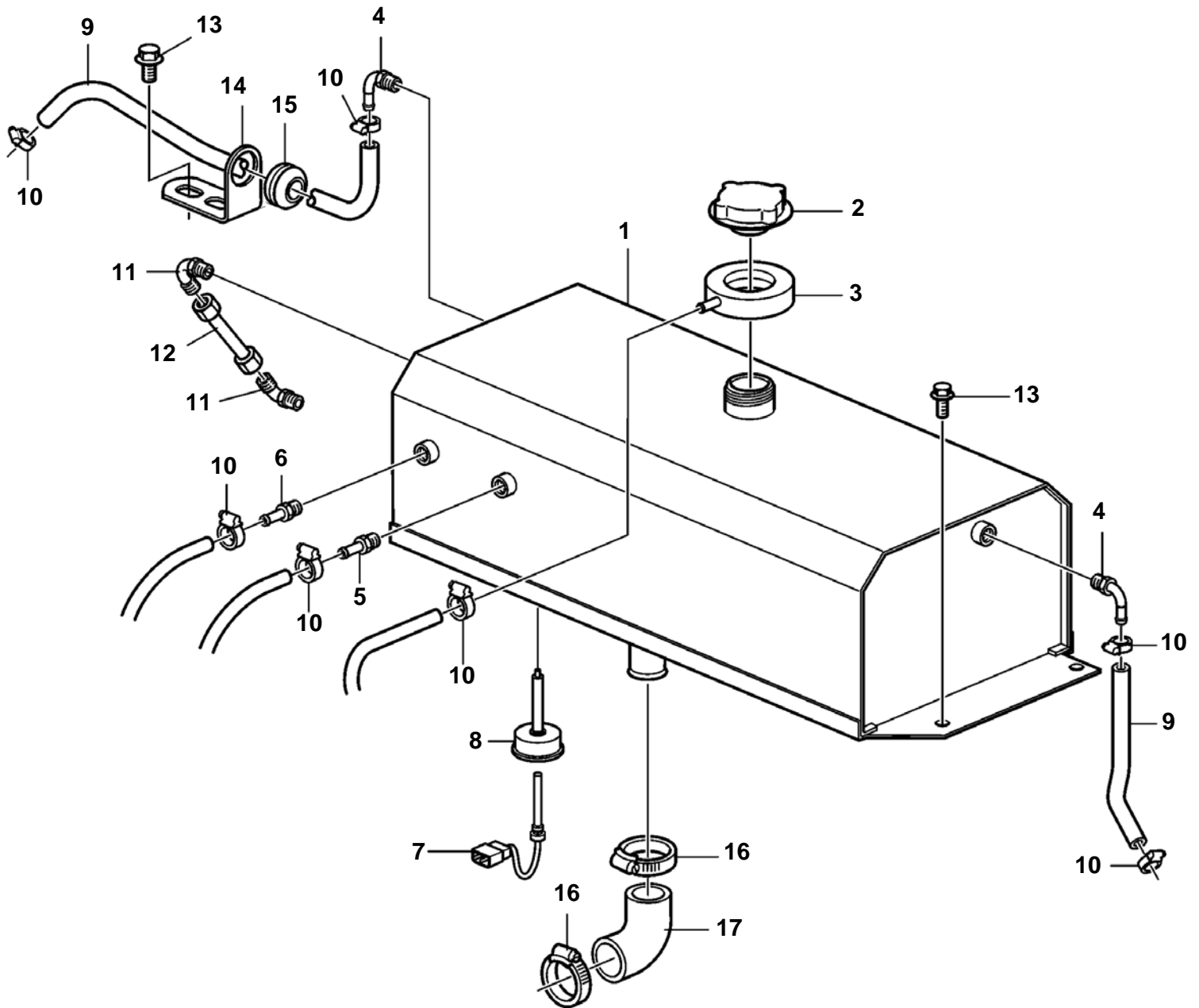
REF	PART NO.	QTY	DESCRIPTION
1	20700516	1	Oil cooler
2	20551483	2	Sealing ring
3	982160	4	Flange screw
4	20746919	1	Sealing
5	20746923	1	Cardboard tube
6	968062	1	Plug
7	11994	1	Gasket
8	960629	1	Plug
9	11998	1	Gasket
10	960632	1	Plug
11	973924	5	Flange screw
12	947760	12	Flange screw
13	982293	2	Plug
14	11998	2	Gasket
15	947760	4	Flange screw
16	3888580	1	Spacer



## D16C-A MG

REF	PART NO.	QTY	DESCRIPTION	SEE SEC.	NOTES
1	3885197	1	Expansion tank		
2		1	· Level sensor	21308	
3	1674083	1	· Pressure cap		
4	888046	1	Pipe		
5	968842	2	Flange screw		
6	968893	2	Flange screw		
7	961663	2	Hose clamp		
8	943367	1	Rubber hose		L=750mm
9	3807108	1	Water pipe		
10	945081	1	Clamp		
11	946440	1	Flange screw		
12	961666	2	Hose clamp		
13	3807104	1	Rubber hose		
14	961663	2	Hose clamp		
15	981857	1	Retainer		
16	943366	1	Rubber hose		L=1400mm
17	943367	1	Rubber hose		L=1000mm
18	961663	1	Hose clamp		
19	946440	1	Flange screw		
20	946440	2	Flange screw		
21	949747	2	Clamp		
22	943471	1	Hose clamp		

D16C-A MG RC

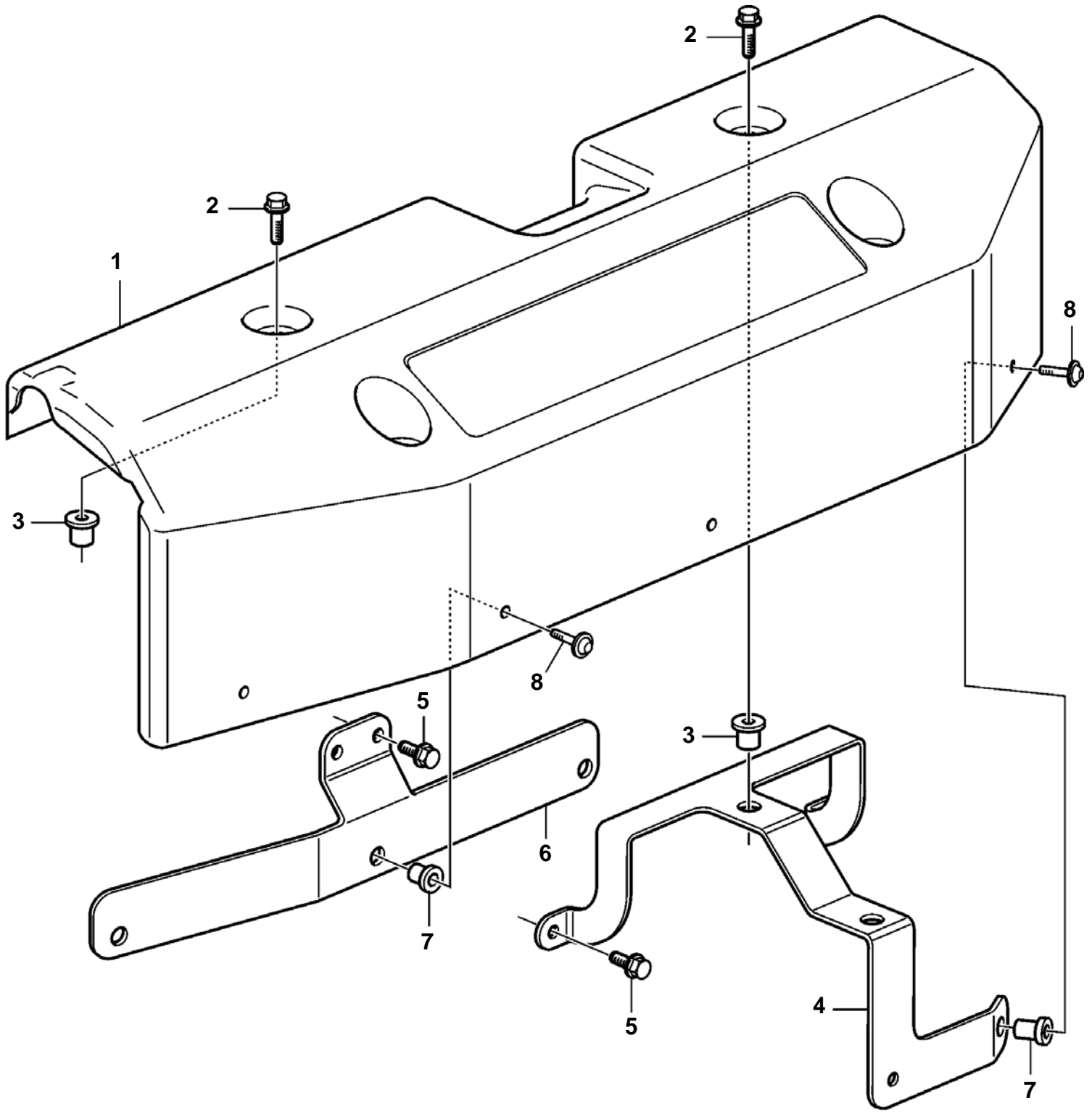


24122

## D16C-A MG RC

REF	PART NO.	QTY	DESCRIPTION
1	3848324	1	Expansion tank
2	1674083	1	Pressure cap
3	3828863	1	Rubber collar
4	3595097	2	Elbow nipple
5	3595088	1	Hose nipple
6	3595087	1	Hose nipple
7	8140024	1	Sensor
8	3886515	1	Socket
9	943366	X	Rubber hose
10	943471	8	Hose clamp
11	3595098	2	Elbow nipple
12	3594083	1	Pipe
13	946440	6	Flange screw
14		1	Retainer
15		1	Hose attachment
16	943477	2	Hose clamp
17	3883208	1	Hose

D16C-A MG



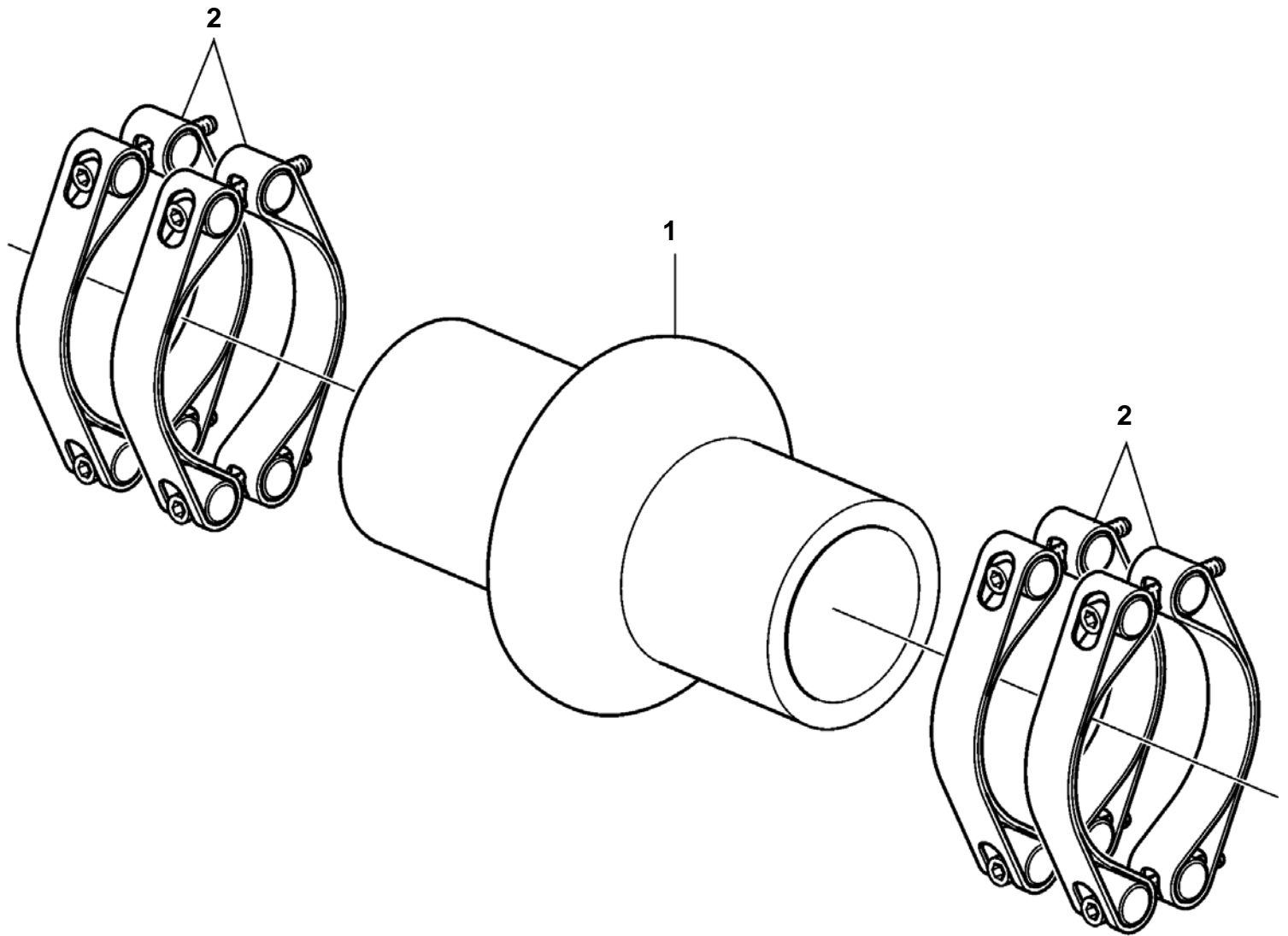
23239

D16C-A MG

REF	PART NO.	QTY	DESCRIPTION
1	3589022	1	Cover
2	945444	4	Flange screw
3	930762	4	Expanding nut
4	3843458	1	Bracket
5	946440	5	Flange screw
6	3843456	1	Bracket
7	930760	4	Expanding nut
8	971368	4	6 point socket screw



D16C-A MG

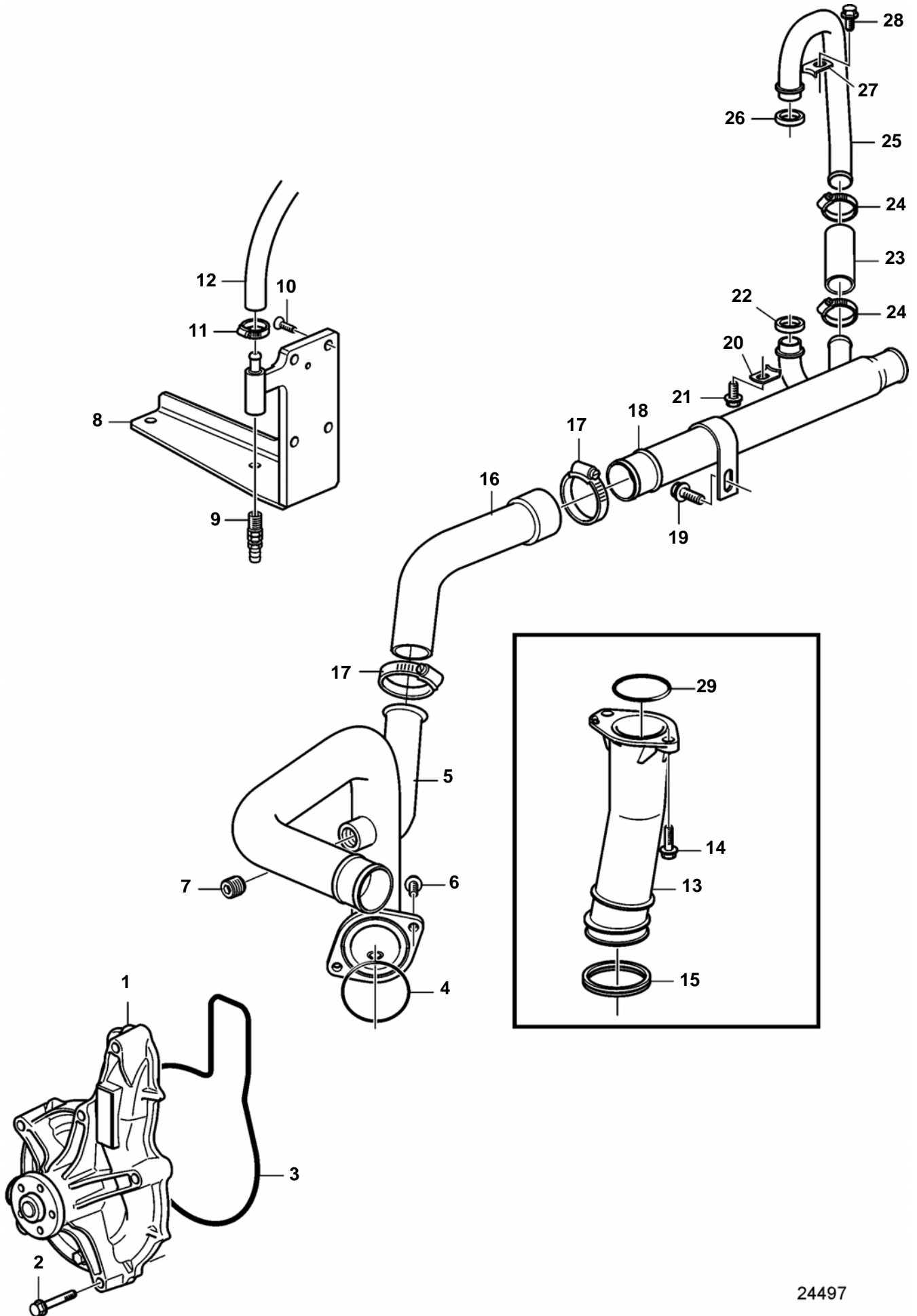


23307

## D16C-A MG

REF	PART NO.	QTY	DESCRIPTION	NOTES
1	3884311	1	Hose connection	For engine mounted heat exchanger., 54x67mm
	3832746	1	Hose connection	For engine mounted heat exchanger., 63.5x74mm
	3832743	2	Hose connection	For engines with ceel cooling., 48.3x61mm
	3884567	2	Hose connection	For engines with ceel cooling., 38x50mm
	3884311	2	Hose connection	54x67mm, For engines with central cooling syst.
2		4	• Hose clamp	Included in hose connect.

D16C-A MG

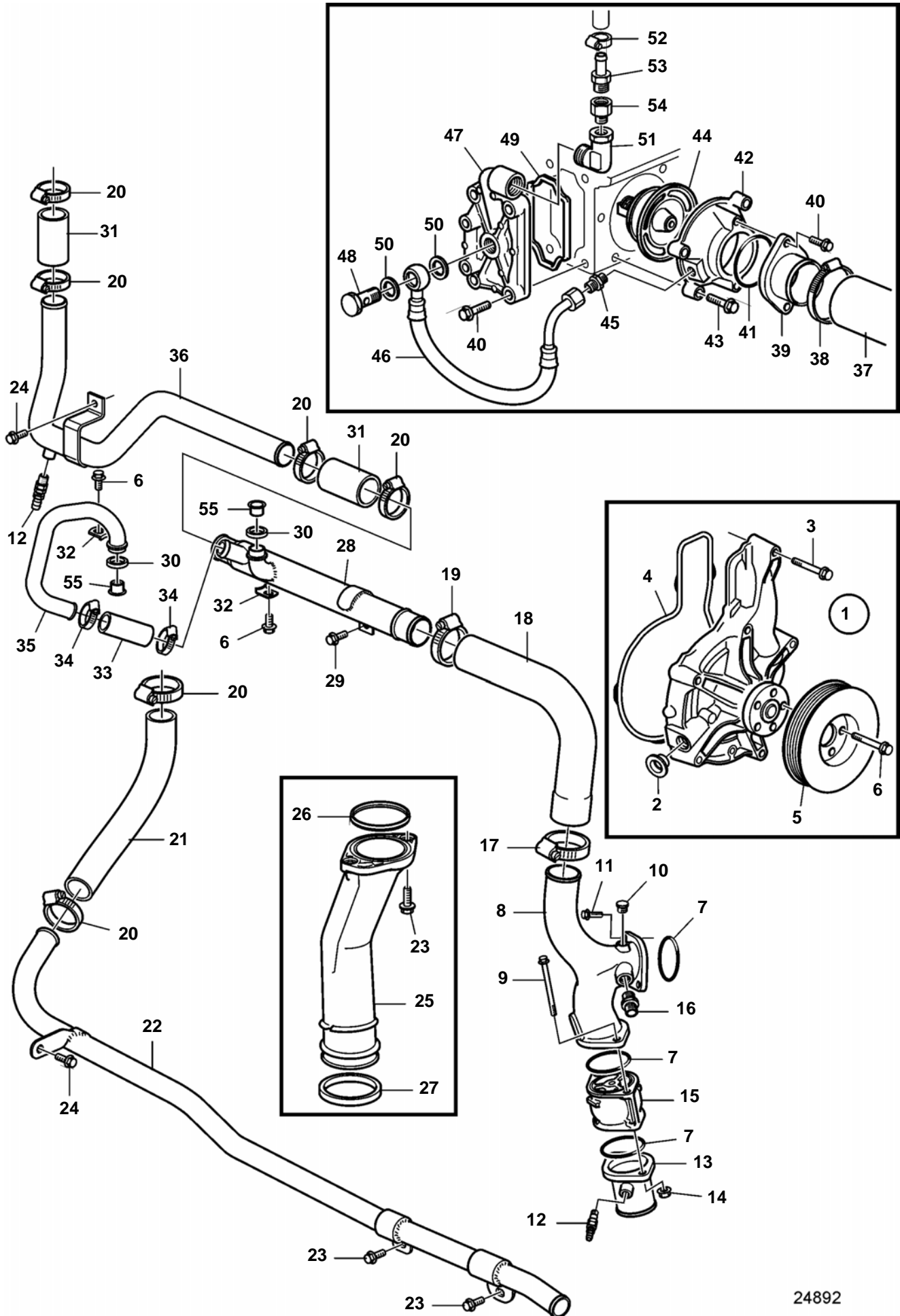


24497

**D16C-A MG**

REF	PART NO.	QTY	DESCRIPTION	SEE SEC.	NOTES
1	20744939	1	Pump unit		
	3801102	1	Coolant pump, exch, exch		
2	965216	6	Flange screw		
3	8131097	1	Sealing ring		
4	975675	1	O-ring		
5	3888302	1	Water pipe		
6	946173	2	Flange screw		
7	968146	1	Plug		
8		1	Bracket, air filter	9896	
9	949918	1	Shut-off cock		
10	969842	4	6 point socket screw		
11	961663	1	Hose clamp		
12			Hose	9903	L=750mm
13	20823005	1	Connection pipe		
14	946173	2	Flange screw		
15	20799996	1	Sealing ring		
16	3888297	1	Hose		(3808192)
17	961671	2	Hose clamp		
18	3807119	1	Water pipe		
19	946173	1	Flange screw		
20	1546531	1	Lock brace		
21	944926	1	Flange screw		
22	1547252	1	Sealing ring		
23	3808198	1	Hose		
24	961666	2	Hose clamp		
25	3807254	1	Coolant pipe		
26	1547252	1	Sealing ring		
27	1546531	1	Lock brace		
28	944926	1	Flange screw		
29	20818346	1	Gasket		

D16C-A MG RC

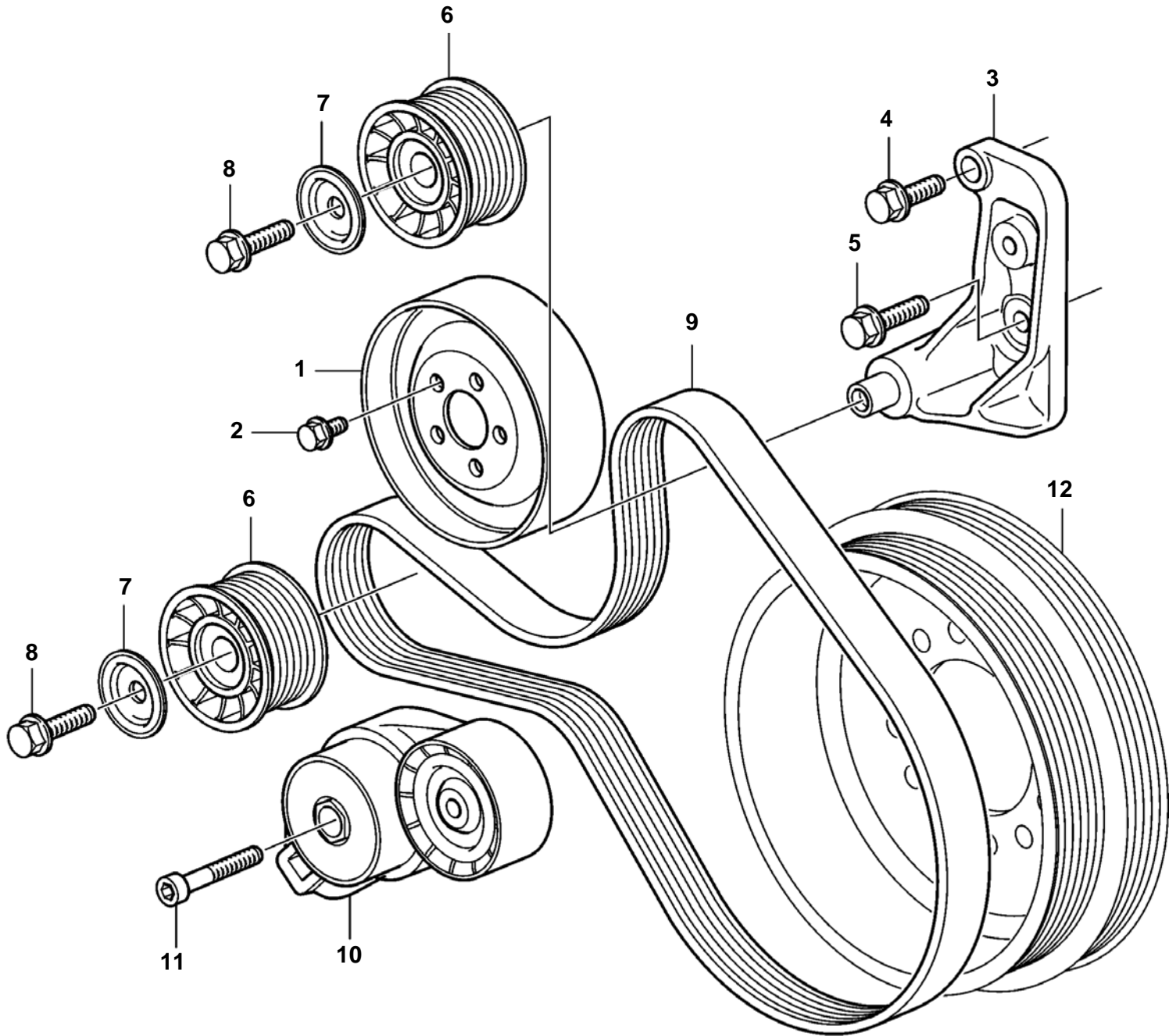


24892

## D16C-A MG RC

REF	PART NO.	QTY	DESCRIPTION
1	20744939	1	Pump unit
	3801102	1	Coolant pump, exch, exch
	3801102	1	Coolant pump, exch
2	842235	1	· Cardboard tube
3	965216	6	Flange screw
4	8131097	1	Sealing ring
5	20538853	1	Pulley
6	947107	7	Flange screw
7	975675	3	O-ring
8	3593608	1	Coolant pipe
9	965184	2	Flange screw
10	981749	1	Plug
11	945444	2	Flange screw
12	949918	2	Shut-off cock
13	3594793	1	Hose connection
14	945408	2	Flange nut
15	3884724	1	Overflow valve
16	479974	1	Nipple
17	961670	1	Hose clamp
18	3593666	1	Hose
19	943476	1	Hose clamp
20	961669	6	Hose clamp
21	3594018	1	Hose
22	3594024	1	Coolant pipe
23	946173	4	Flange screw
24	946440	2	Flange screw
25	20823005	1	Connection pipe
26	20818346	1	Gasket
27	20799996	1	Sealing ring
28	3807119	1	Water pipe
29	946440	1	Flange screw
30	1547252	2	Sealing ring
31	3808196	1	Hose
32	1546531	2	Lock brace
33	3808198	1	Hose
34	961666	2	Hose clamp
35	3807254	1	Coolant pipe
36	3841239	1	Water pipe
37	3589216	1	Hose
38	943480	2	Hose clamp
39	3943401	1	Coolant pipe
40	945444	6	Flange screw
41	975675	1	O-ring
42	3842431	1	Cover
43	946671	4	Flange screw
44	20560252	1	Thermostat
45		1	Nipple
46	40005069	1	Hose
47	20882847	1	Cover
48	190713	1	Hollow screw
49	8131154	1	Sealing ring
50	20852765	2	Sealing ring
51	979784	1	Elbow nipple
52	961663	1	Hose clamp
53	992325	1	Nipple
54	966458	1	Reduction nipple
55	21155339	2	Sleeve

D16C-A MG



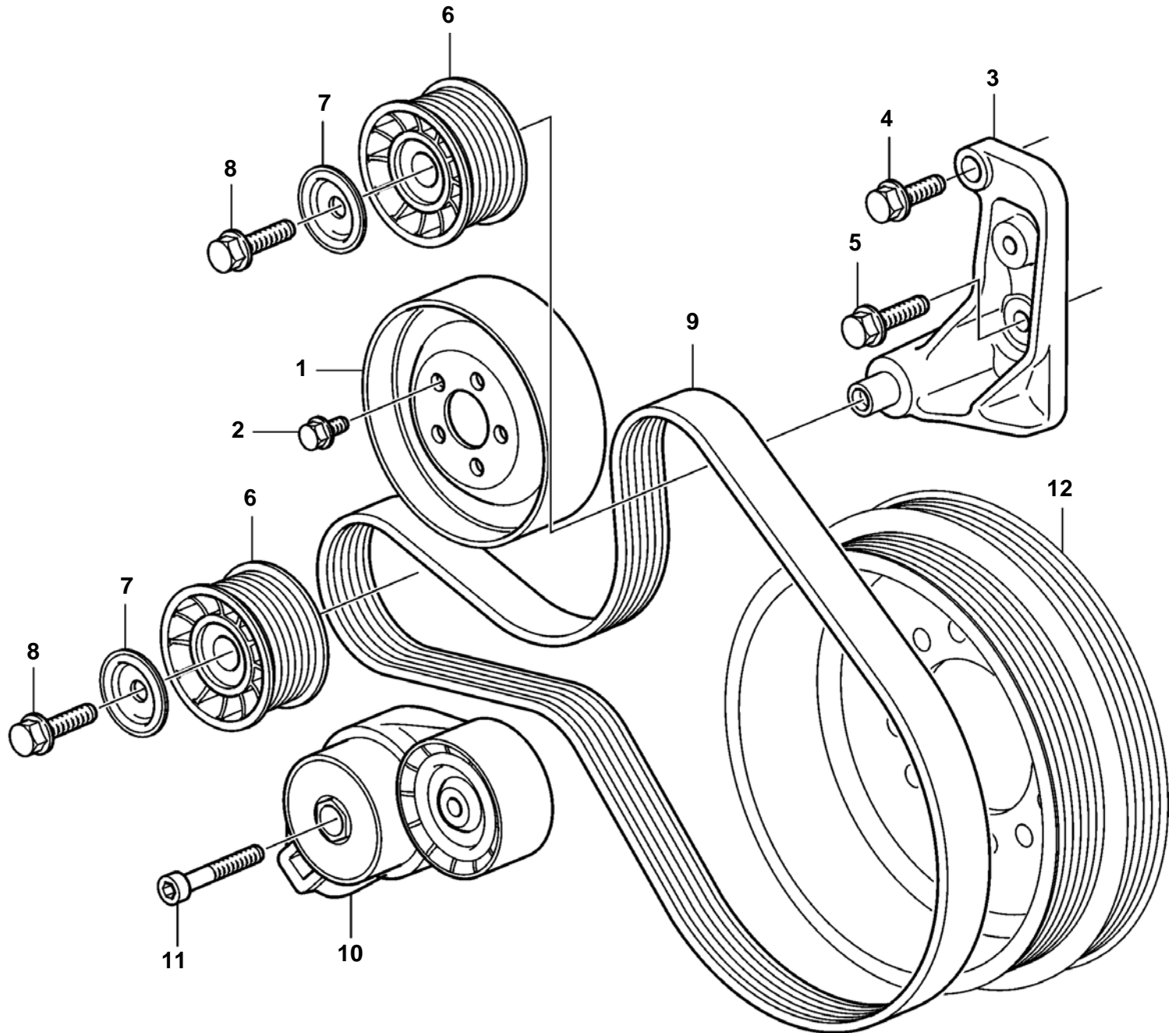
23315

## D16C-A MG

REF	PART NO.	QTY	DESCRIPTION
1	20538853	1	Pulley
2	947107	5	Flange screw
3	3812765	1	Bracket
4	946472	1	Flange screw
5	946441	1	Flange screw
6	20851842	2	Idler pulley
7	8097084	2	Cover
8	946441	2	Flange screw
9	3884488	1	V-ribbed belt
10	20487079	1	Belt tensioner
11	959247	1	Hex. socket screw
12	3837486	1	Pulley, crankshaft



D16C-A MG RC

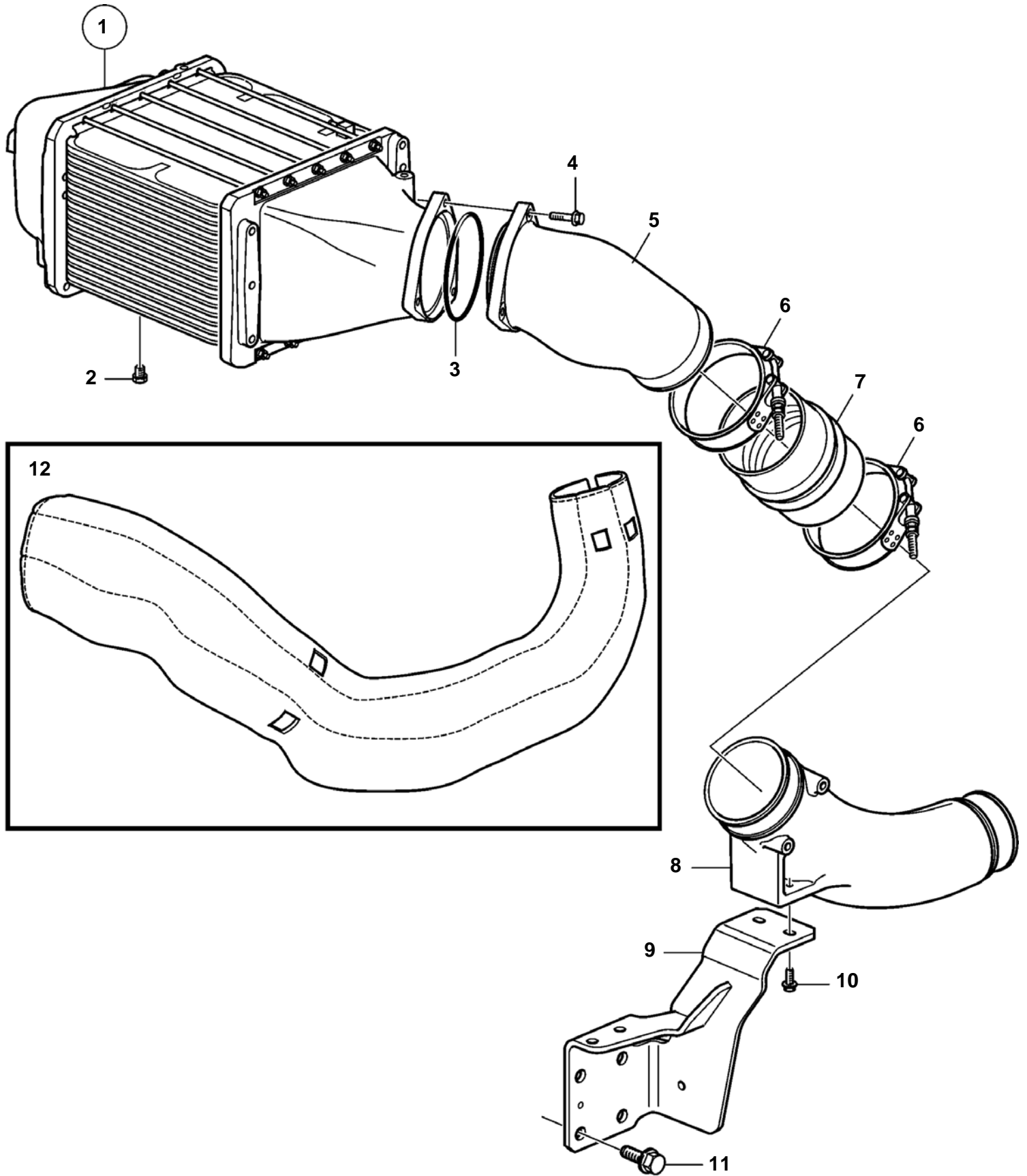


23315

**D16C-A MG RC**

REF	PART NO.	QTY	DESCRIPTION
1	20538853	1	Pulley
2	947107	5	Flange screw
3	3812765	1	Bracket
4	946472	1	Flange screw
5	946441	1	Flange screw
6	20851842	2	Idler pulley
7	8097084	2	Cover
8	946441	2	Flange screw
9	3883978	1	V-ribbed belt
10	20487079	1	Belt tensioner
11	959247	1	Hex. socket screw
12	3837486	1	Pulley, crankshaft

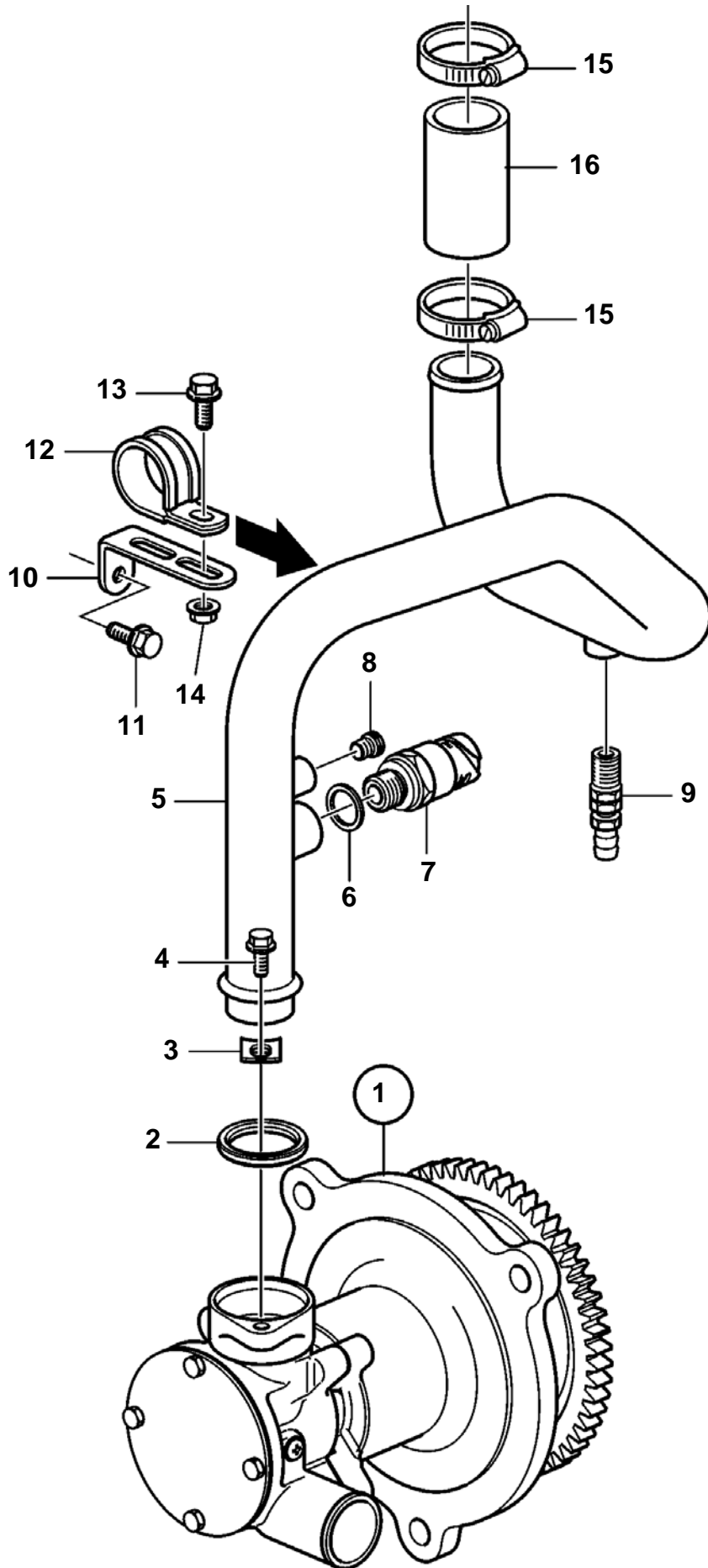
D16C-A MG, D16C-A MG RC



23216

**D16C-A MG, D16C-A MG RC**

REF	PART NO.	QTY	DESCRIPTION
1	3819675	1	Intercooler
2	943513	1	· Nipple
3	948888	1	O-ring
4	946470	3	Flange screw
5	3841231	1	Charge air pipe
6	1544734	2	Hose clamp
7	3886304	1	Charge air hose
8		1	Charge air pipe
9	3841233	1	Bracket
10	946173	2	Flange screw
11		4	Flange screw
12	3808047	1	Heat shield

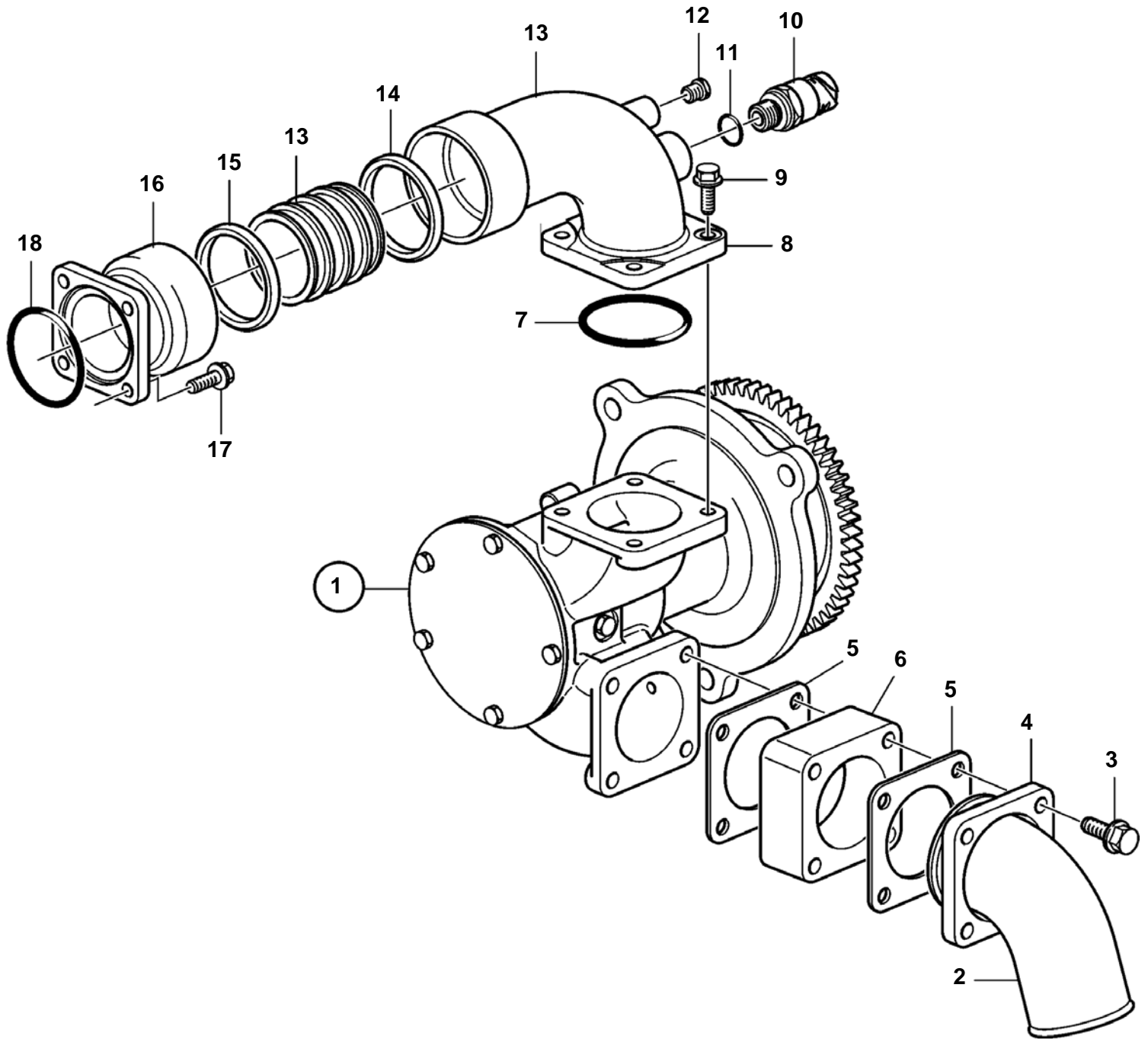


23229

## D16C-A MG

REF	PART NO.	QTY	DESCRIPTION	SEE SEC.
1	3589550	1	Water pump	
				9909
2	1556905	1	Sealing ring	
3	1546531	1	Lock brace	
4	946440	1	Flange screw	
5	3589113	1	Water pipe	
6	11998	1	Gasket	
7	949918	1	Shut-off cock	
8	981749	1	Plug	
9			Sender	21308
10	965558	1	Bracket	
11	946440	1	Flange screw	
12	949850	1	Clamp	
13	946440	1	Flange screw	
14	945408	1	Flange nut	
15	961669	2	Hose clamp	
16	3808196	1	Hose	

D16C-A MG



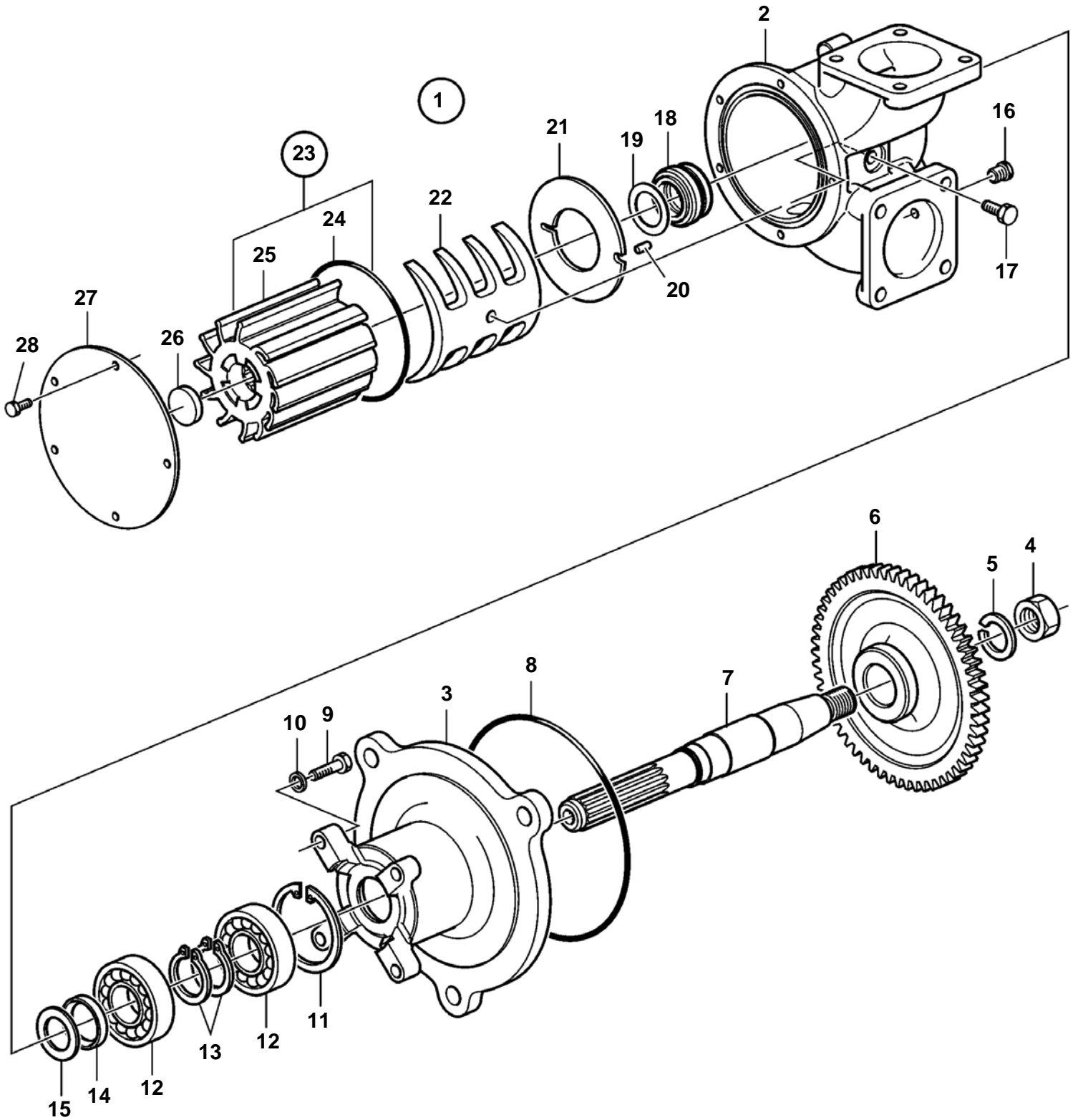
23227

## D16C-A MG

REF	PART NO.	QTY	DESCRIPTION	SEE SEC.
1	3589104	1	Sea water pump	
				9907
2	3828559	1	Hose attachment	
3	965222	4	Flange screw	
4		1	Flange	
5	862583	2	Gasket	
6	3886642	1	Flange	
7	925073	1	O-ring	
8	3883781	1	Pipe	
9	946173	4	Flange screw	
10		1	Pressure sensor	21308
11	11998	1	Gasket	
12	981749	1	Plug	
13	3883781	1	Pipe	
14	863209	2	Sealing ring	
15	866610	1	Sleeve	
16	866612	1	Pipe connection	
17	946173	4	Flange screw	
18	925072	1	O-ring	



D16C-A MG

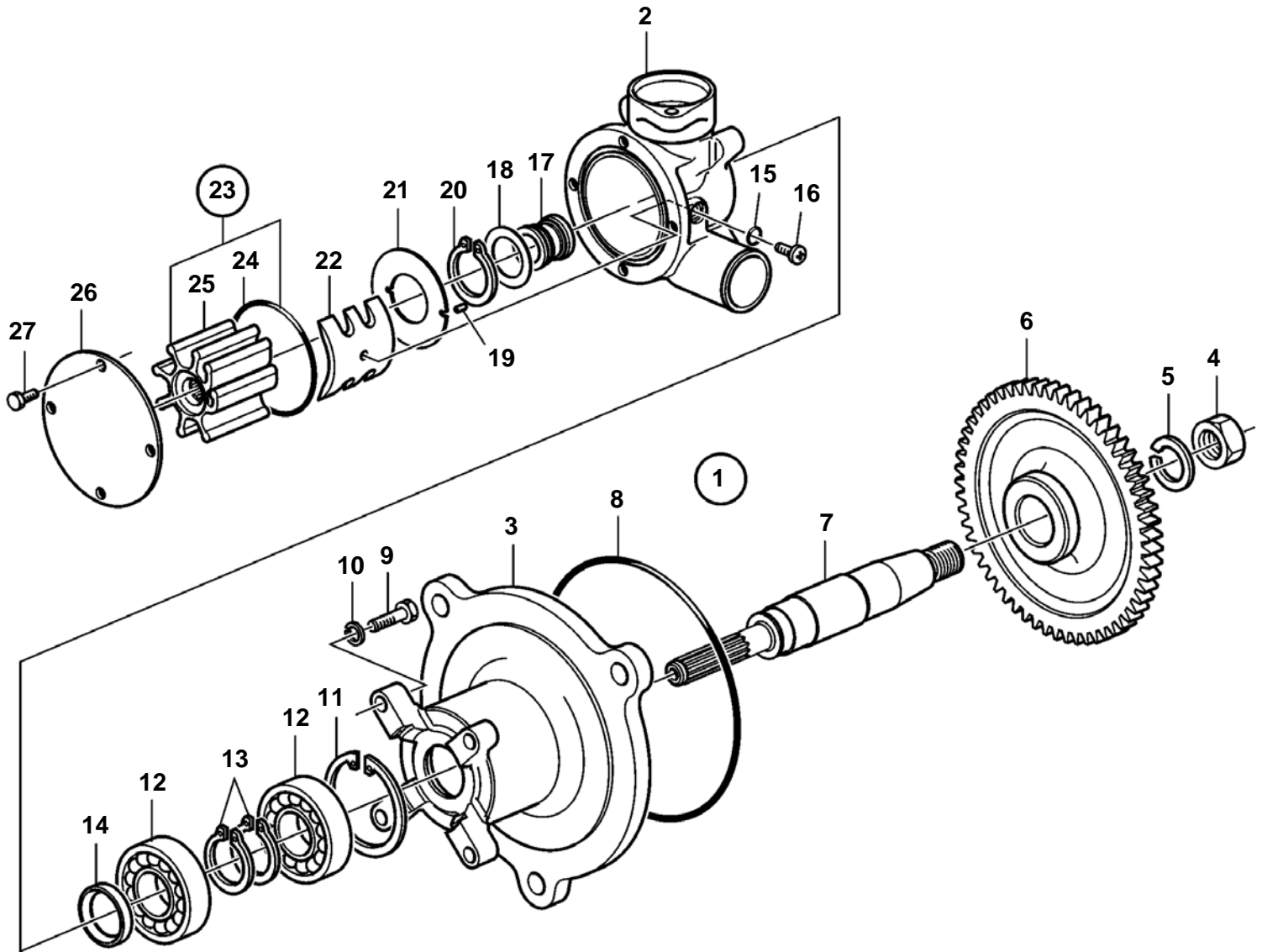


23228

## D16C-A MG

REF	PART NO.	QTY	DESCRIPTION
1	3589104	1	Sea water pump
2		1	· Pump housing
3		1	· Bearing housing
4	3587886	1	· Hexagon nut
5	941914	1	· Spring washer
6	8131848	1	· Gear
7		1	· Shaft
8	948977	1	· O-ring
9	940135	4	· Hexagon screw
10	941907	4	· Spring washer
11	825735	1	· Lock ring
12	11013	2	· Ball bearing
13	847230	2	· Lock ring
14	3587882	1	· Sealing
15	812964	1	· Deflector
16	981749	1	· Plug
17	3830665	1	· Screw
18	3829315	1	· Sealing ring
19	3829449	1	· Washer
20		1	· Pin
21	826230	1	· Wear washer
22	3830661	1	· Cam
23	3886760	1	· Impeller kit
24	925259	1	· · O-ring
25		1	· · Impeller
26		1	· Washer
27	3817938	1	· Cover
28	3583605	5	· Screw

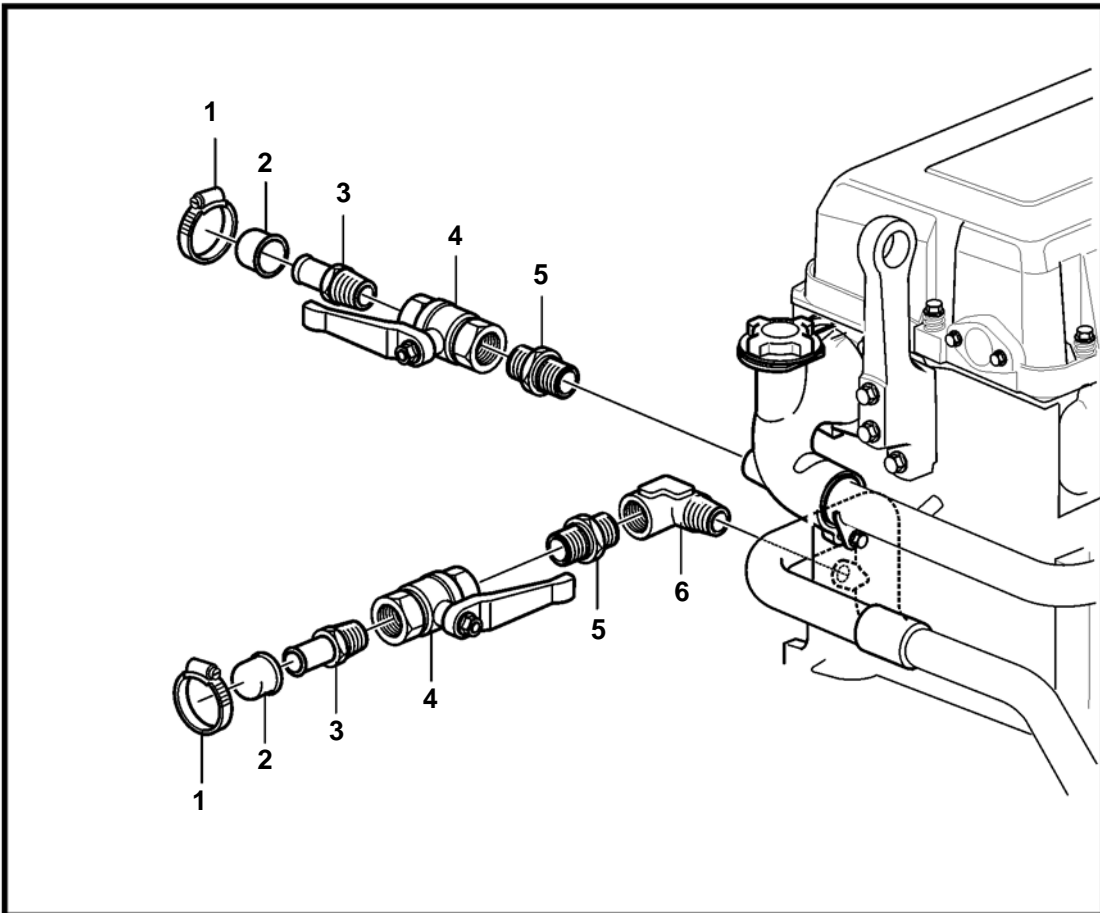
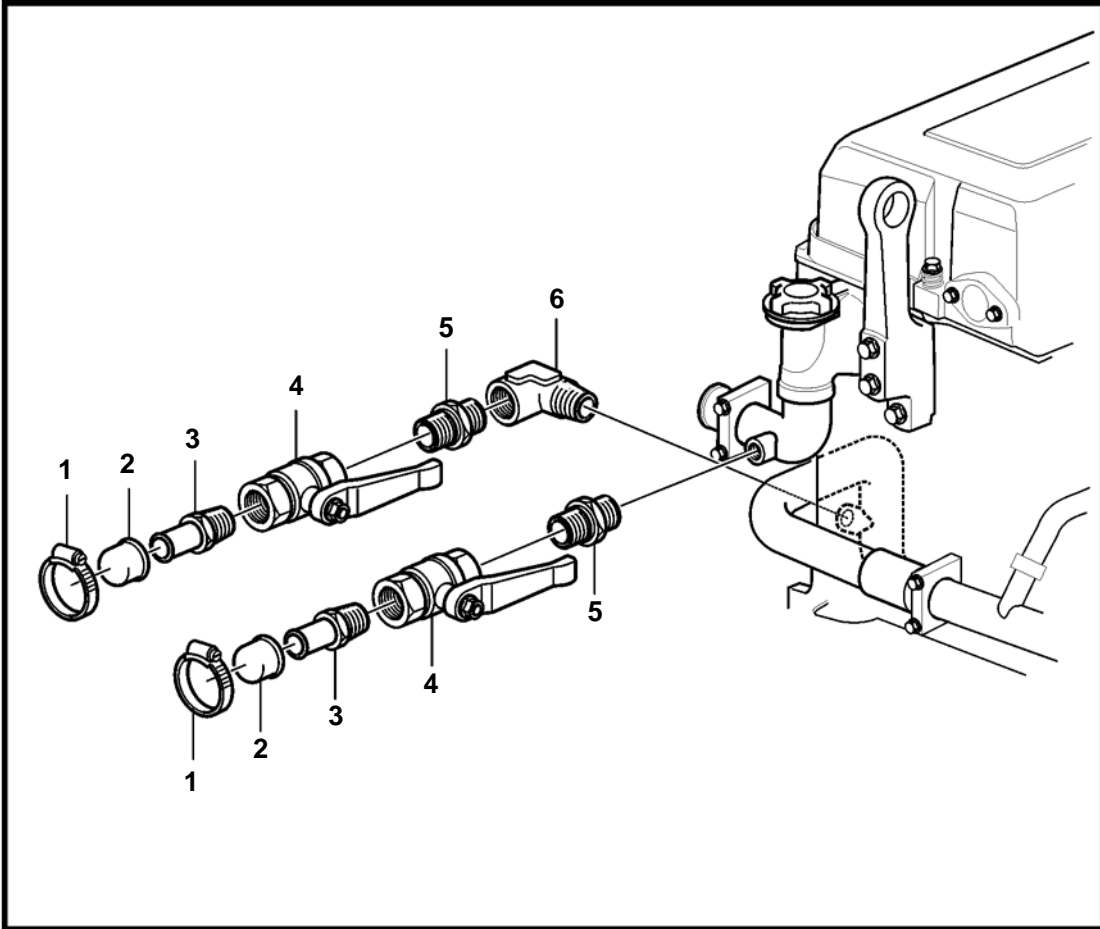
D16C-A MG



23230

## D16C-A MG

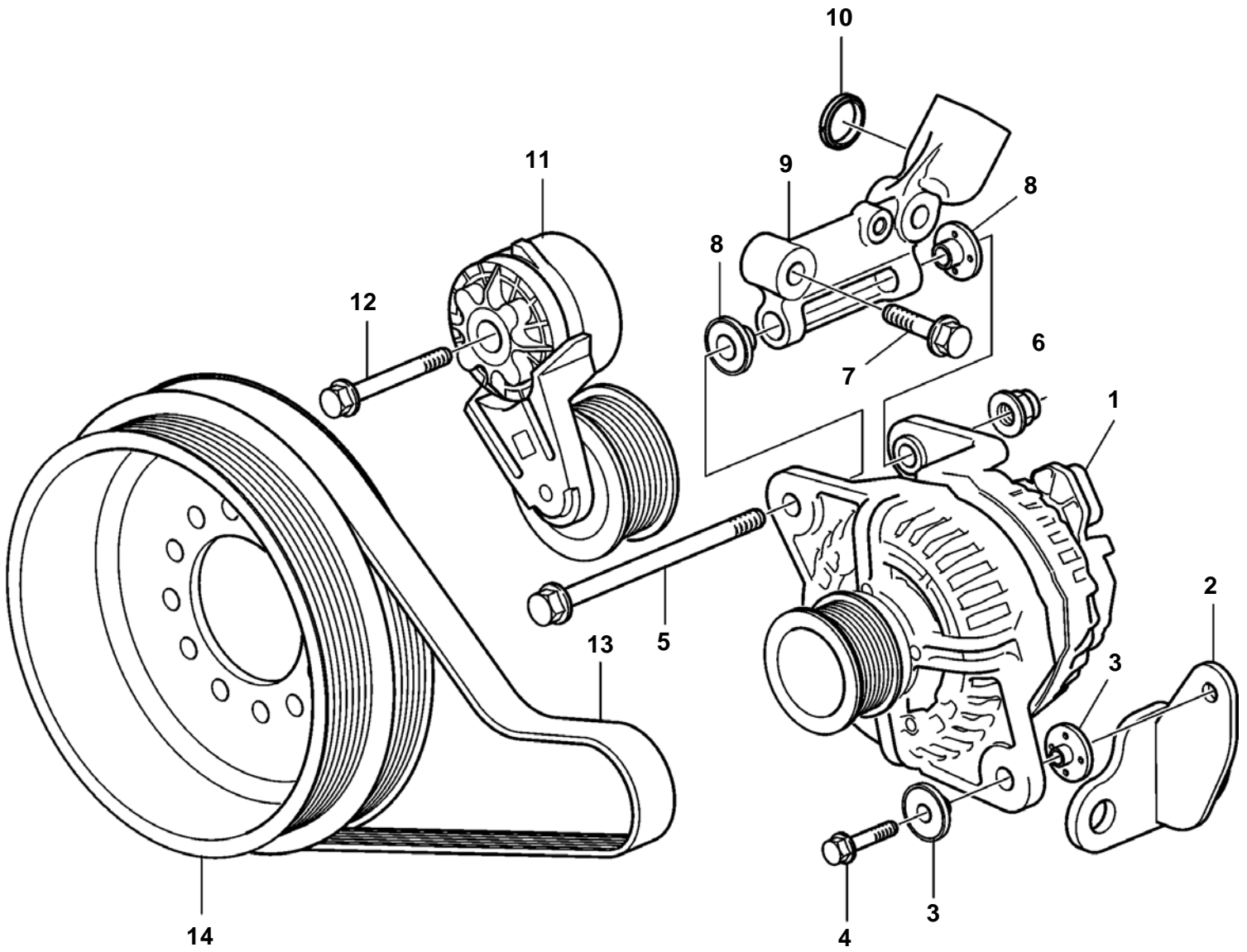
REF	PART NO.	QTY	DESCRIPTION	NOTES
1	3589550	1	Water pump	Replaced by 21167147
	21167147	1	Water pump	
2		1	• Pump housing	
3		1	• Bearing housing	
4	3587886	1	• Hexagon nut	
5	941914	1	• Spring washer	
6	8131848	1	• Gear	
7		1	• Shaft	
8	948977	1	• O-ring	
9	940135	4	• Hexagon screw	
10	941907	4	• Spring washer	
11	825735	1	• Lock ring	
12	11013	2	• Ball bearing	
13	847230	2	• Lock ring	
14	3587882	1	• Sealing	
15	3583614	1	• O-ring	
16	3883927	1	• Screw	
17	3883926	1	• Sealing	
18	888388	1	• Washer	
19	888387	1	• Pin	
20	809444	1	• Lock ring	
21	807589	1	• Wear washer	
22	3883923	1	• Cam	
23	3888478	1	• Impeller kit	Replaced by 21200961
	21200961	1	• Impeller kit	
24	3587885	1	• • O-ring	
25		1	• • Impeller	
26	3587879	1	• End cover	
27	3583604	4	• Hexagon screw	



## D16C-A MG

REF	PART NO.	QTY	DESCRIPTION
1	943475	2	Hose clamp
2	845422	2	Cardboard tube
3	961657	2	Hose nipple
4	1140097	2	Ball valve
5	16452	2	Double nipple
6	941740	1	Elbow nipple

D16C-A MG



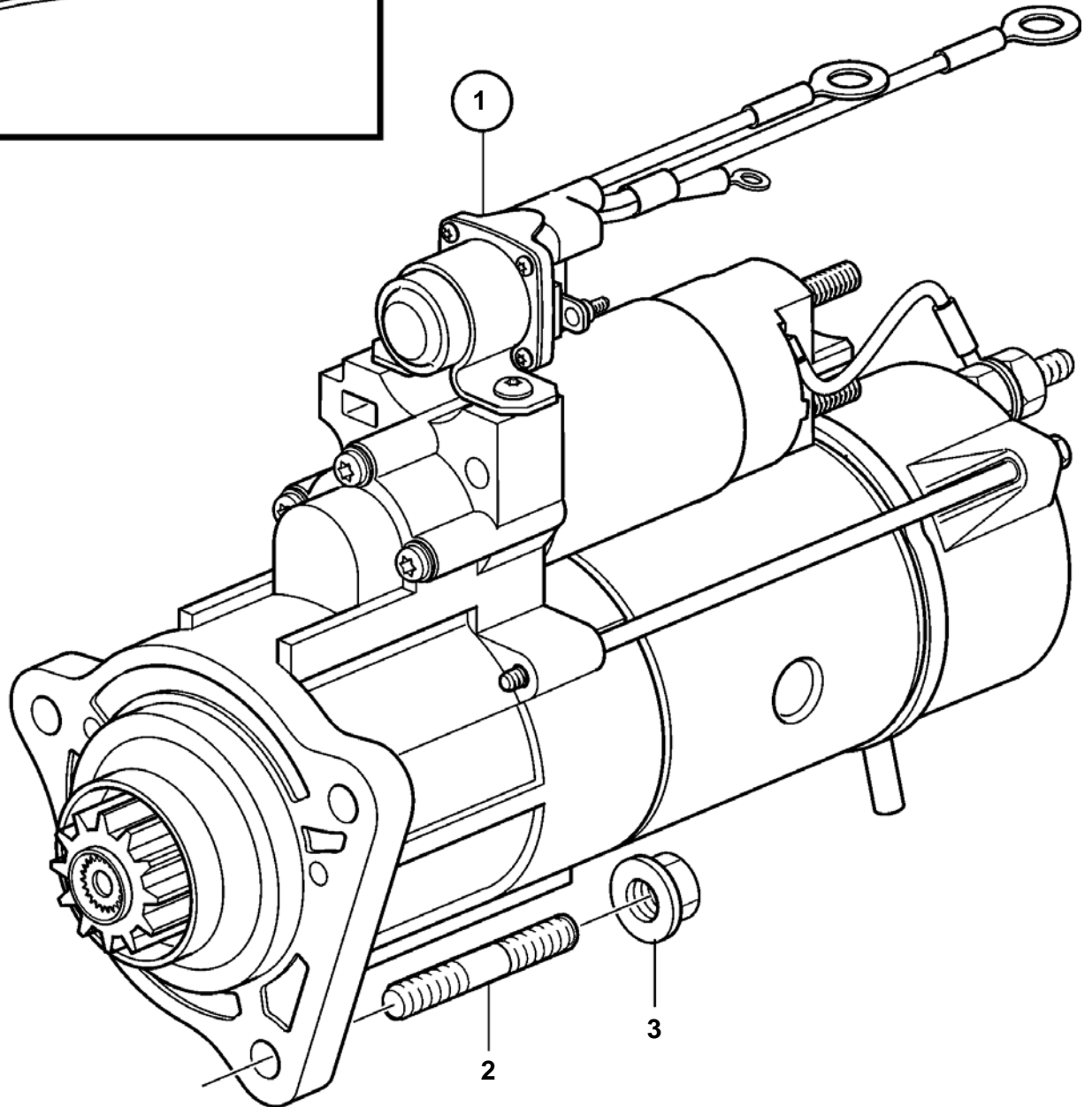
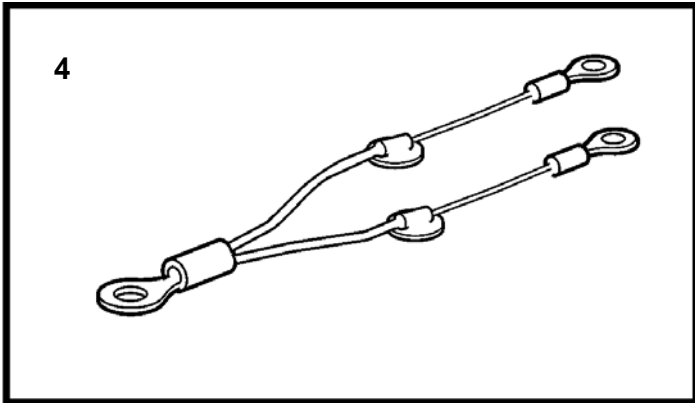
23321

**D16C-A MG**

REF	PART NO.	QTY	DESCRIPTION	SEE SEC.	NOTES
1	3803639	1	Alternator, exch		28V, 80A
2	3842566	1	Bracket		
3	3589369	2	Insulating bushing		
4	946470	1	Flange screw		
5	965223	1	Flange screw		
6	977938	1	Flange lock nut		
7	965185	2	Flange screw		
8	3589388	2	Insulating bushing		
9	3887406	1	Bracket		(3588974)
10	8192190	1	Sealing ring		
11	20501412	1	Belt tensioner		
12	965223	1	Flange screw		
13	20430373	1	V-ribbed belt		
14			Pulley	9858	



D16C-A MG, D16C-A MG RC

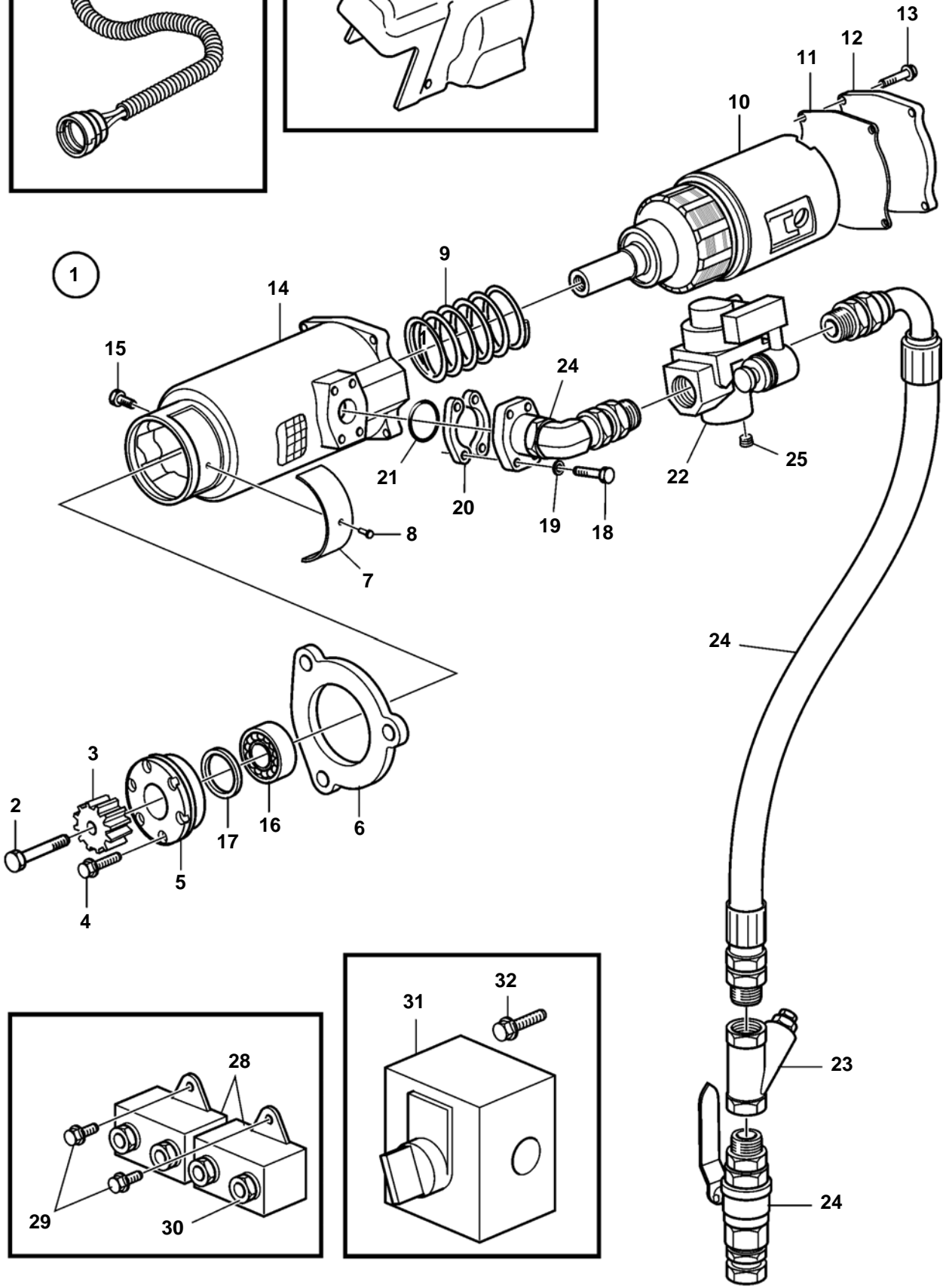
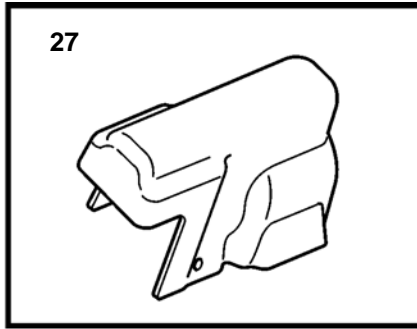
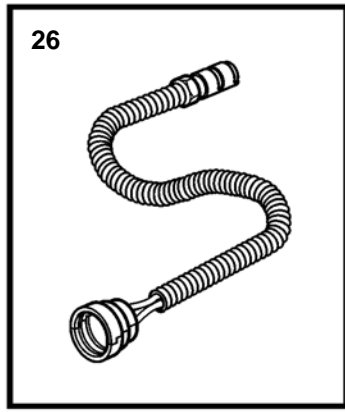


24040

**D16C-A MG, D16C-A MG RC**

REF	PART NO.	QTY	DESCRIPTION	SEE SEC.	NOTES
1	3803838	1	Starter motor, exch		Replaced by starter motor 3801289
	3801289	1	Starter motor, exch		
				7746	
2	953098	3	Stud		
3	971096	3	Flange nut		
4	3843262	1	Wiring harness		

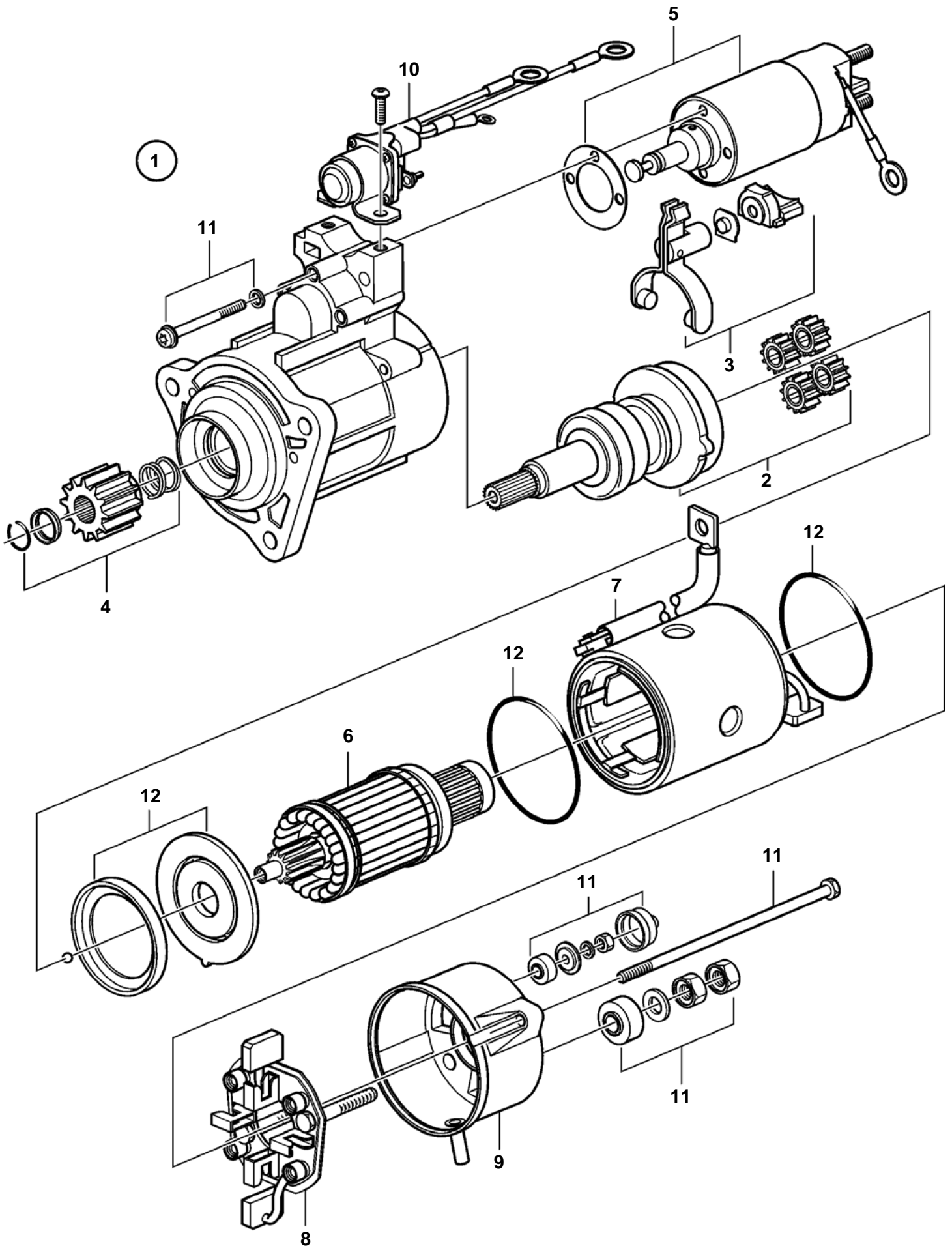
D16C-A MG, D16C-A MG RC



## D16C-A MG, D16C-A MG RC

REF	PART NO.	QTY	DESCRIPTION	NOTES
1	3829870	1	Starter motor	
2		1	· Screw	
3	3830007	1	· Starter pinion	
4		6	· Flange screw	
5		1	· Protection	
6		1	· Flange	
7		1	· Type plate	
8		1	· Pin	
9	3830017	1	· Return spring	
10		1	· Rotor	
11		1	· Gasket	
12		1	· Cover	
13		4	· Screw	
14		1	· Housing	
15		1	· Plug	
16	1544092	1	· Ball bearing	(3830024)
17	3830025	1	· Sealing	
18	956585	4	· Hex. socket screw	
19	18665	4	· Gasket	
20		2	· Clutch flange	
21		1	· O-ring	
22	3829869	1	Control valve	
23	3830394	1	Strainer	
24	3829999	1	Hose	
25	952075	1	Plug	
26	3886990	1	Wiring harness	
27	3885232	1	Cover	
28	3886793	2	Junction box	
29	967949	2	Flange screw	
30	983716	4	Hexagon nut	
31	3886798	1	Rotary switch	
32	969514	4	6 point socket screw	

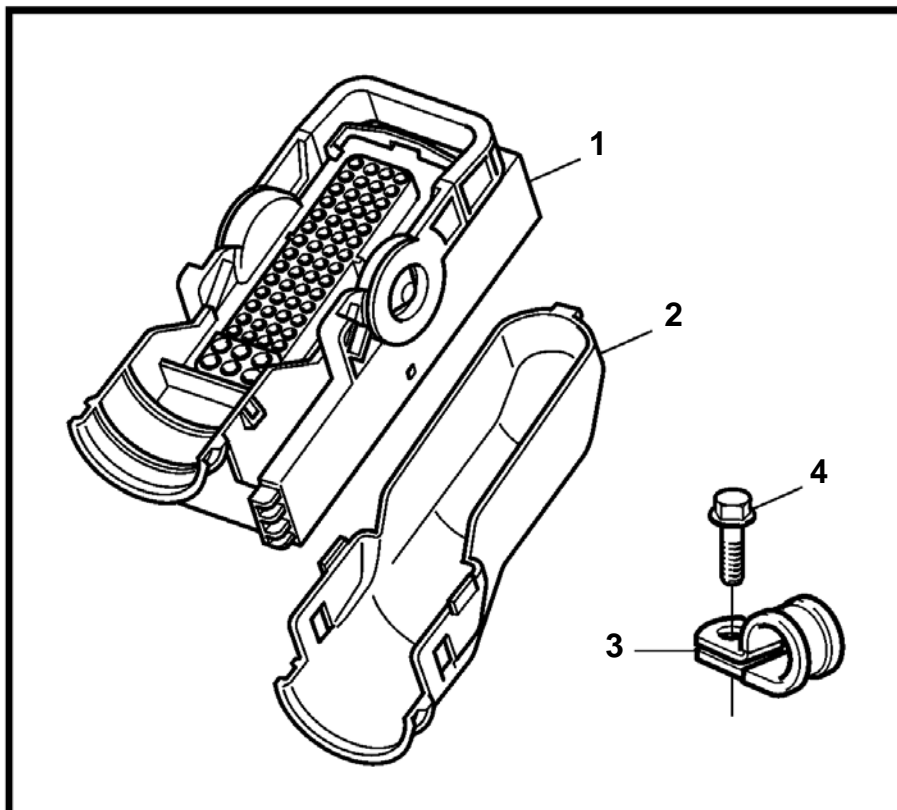
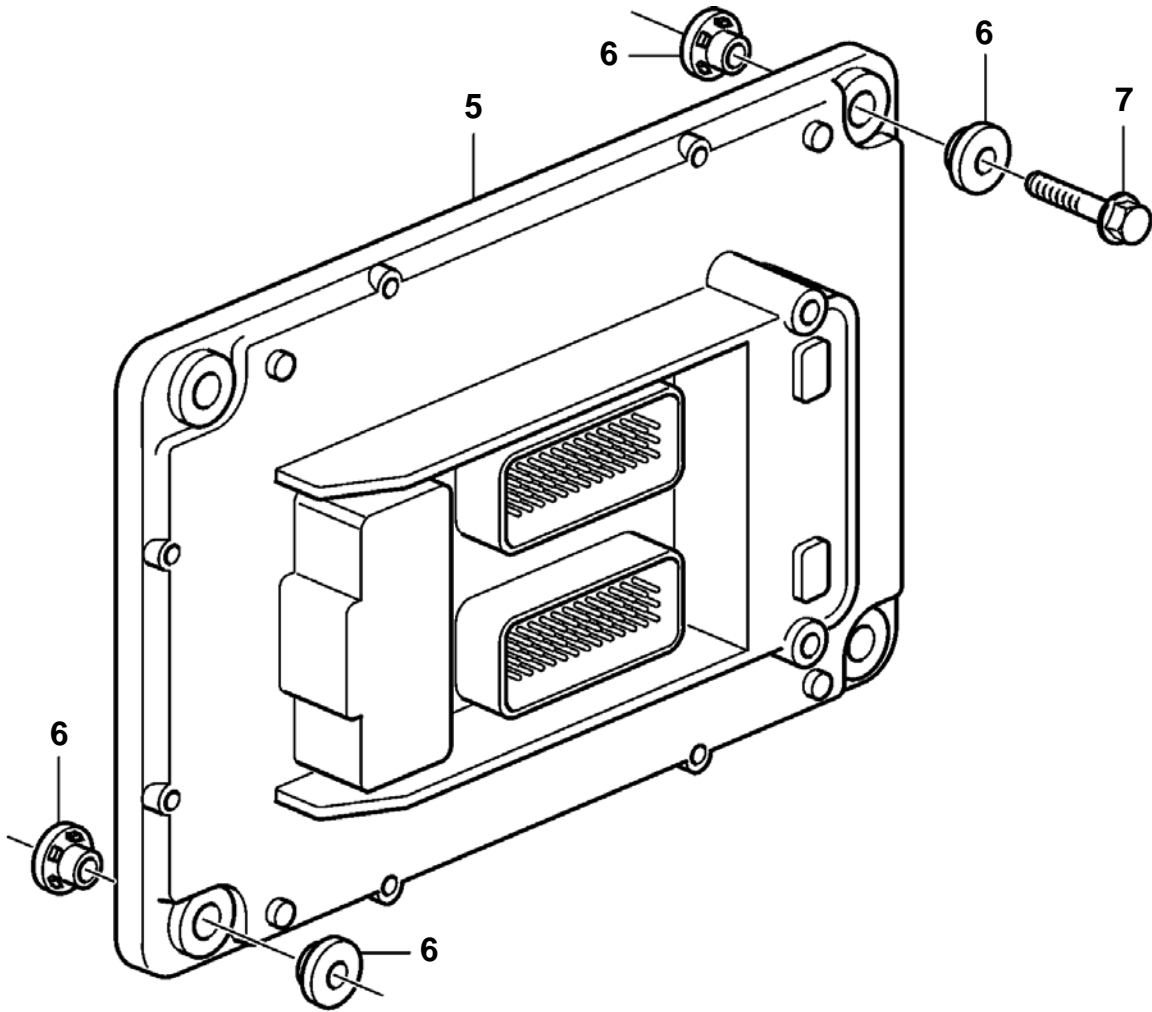
D16C-A MG, D16C-A MG RC



**D16C-A MG, D16C-A MG RC**

REF	PART NO.	QTY	DESCRIPTION	NOTES
1	3803838	1	Starter motor, exch	Replaced by starter motor 3801289
	3801289	1	Starter motor, exch	
2		1	• Shaft	
3		1	• Lever	
4	874738	1	• Starter pinion	
5	874745	1	• Solenoid	
6		1	• Rotor	
7		1	• Stator	
8	874741	1	• Carbon brush retaine	
9		1	• Bearing shield	
10	874743	1	• Relay	
11	874747	1	• Screw kit	
12	874746	1	• Gasket kit	

D16C-A MG, D16C-A MG RC

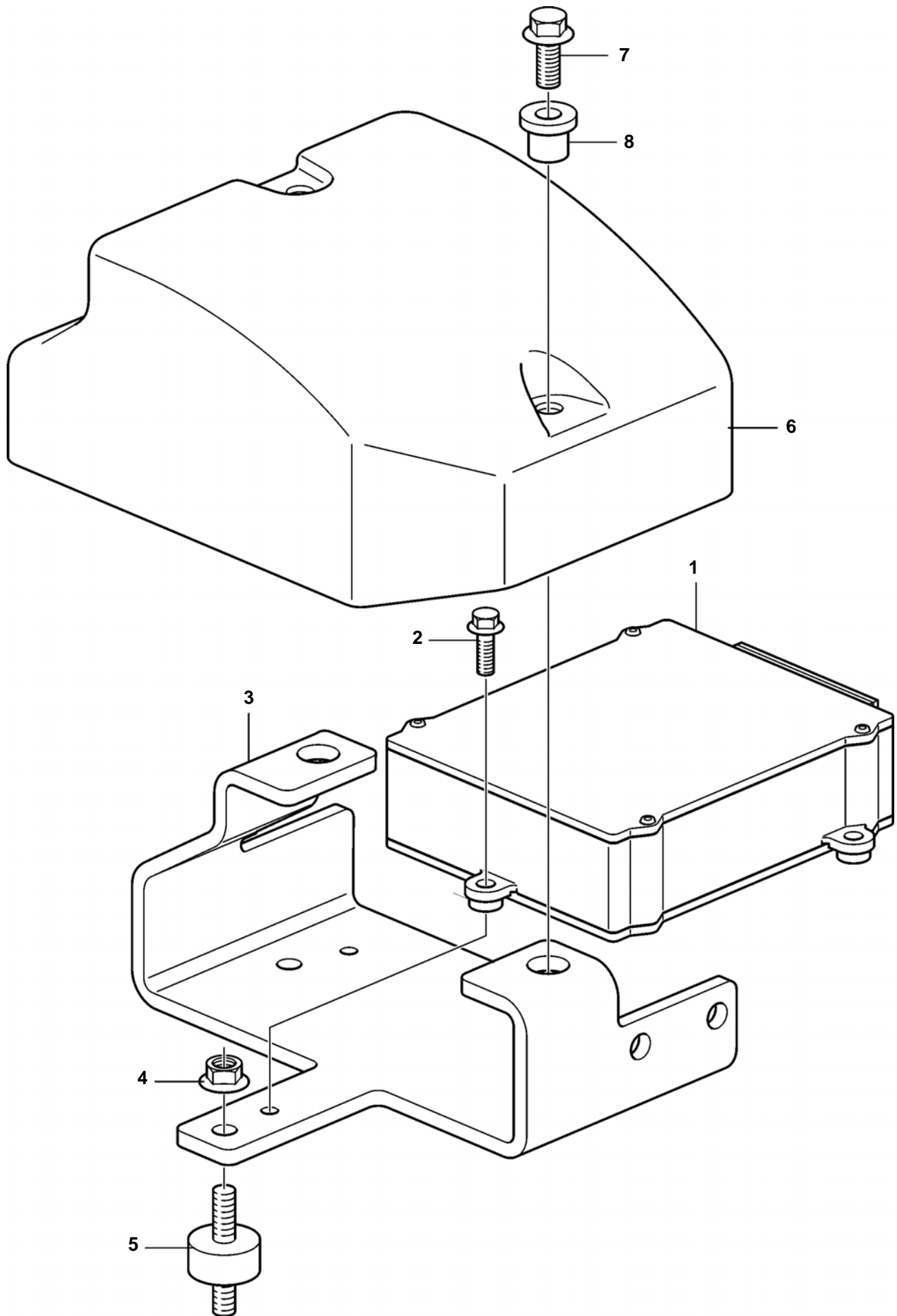


## D16C-A MG, D16C-A MG RC

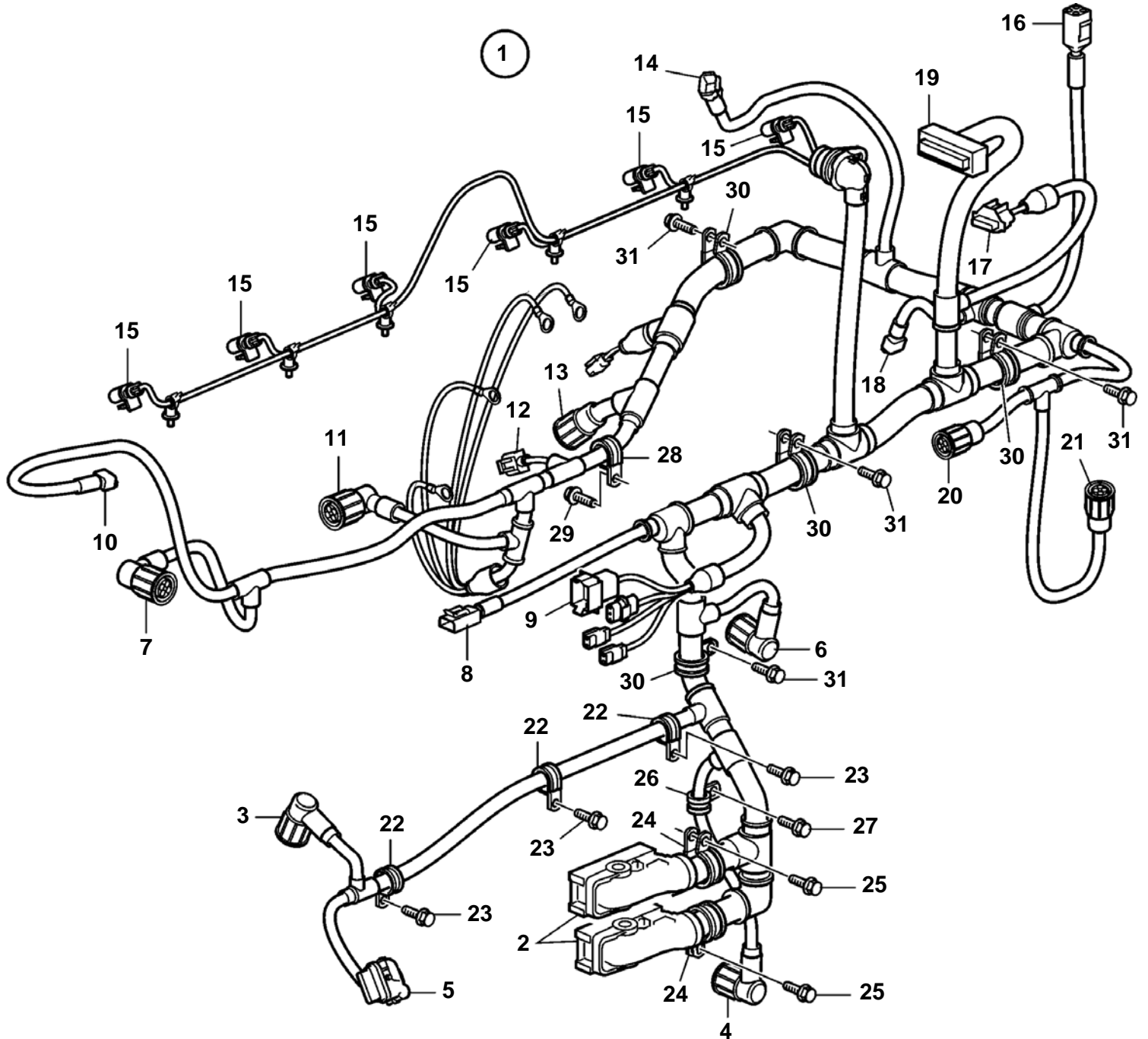
REF	PART NO.	QTY	DESCRIPTION	NOTES
1	20429842	1	Housing	Black
	20429843	1	Housing	gray
2	20429844	1	Adapter	
3	949997	2	Clamp	
4	946173	2	Flange screw	
5	20814594	1	Control unit, not programmed	
	3586269	1	Software	Warehouse programming. This p/n can not be ordered, but will be used for invoicing.
	3586268	1	Software	Vodia-programming. This p/n can not be ordered, but will be used for invoicing.
6	3095161	4	· Rubber cushion	
7	947760	4	Flange screw	



D16C-A MG, D16C-A MG RC







23323

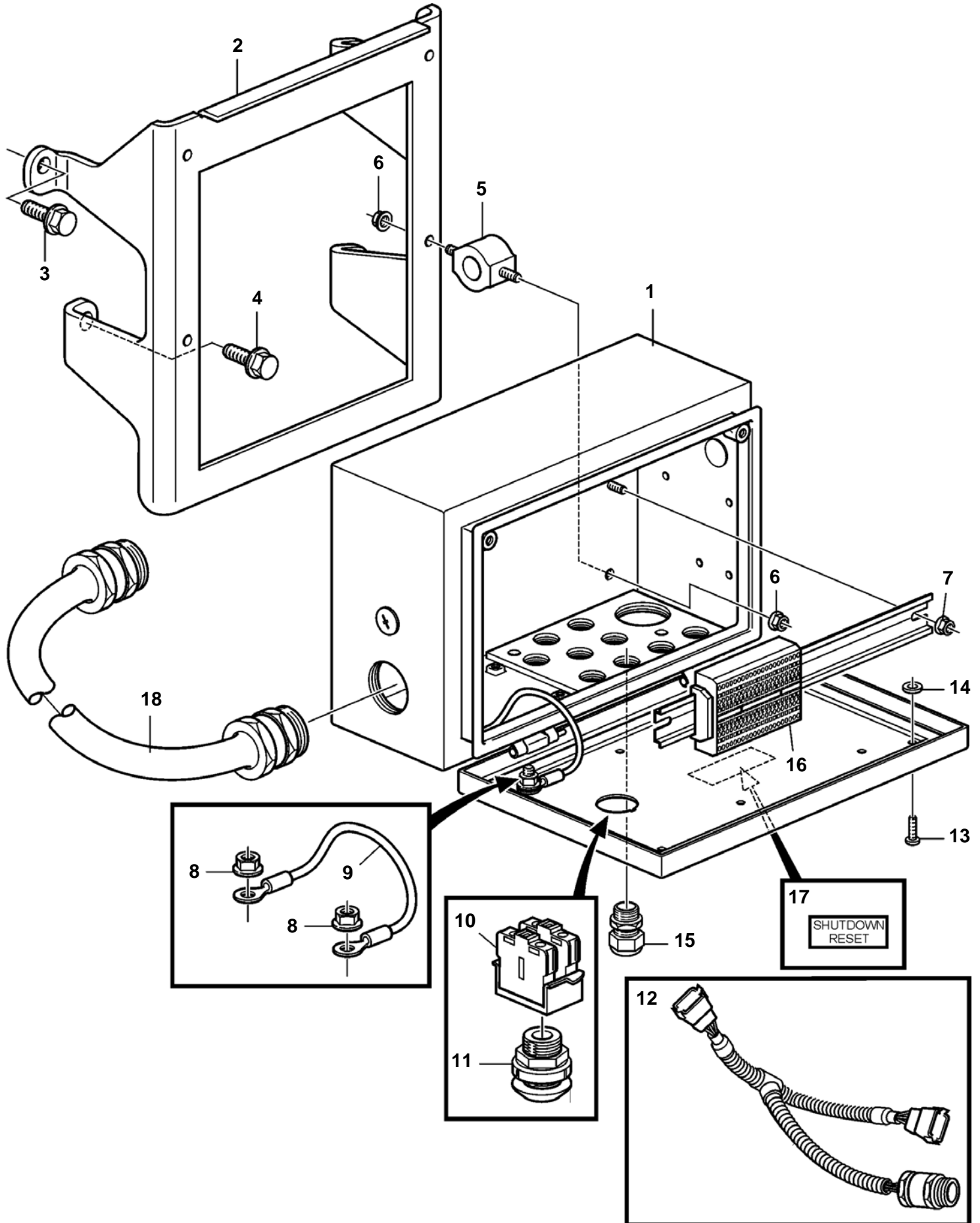
**D16C-A MG**

REF	PART NO.	QTY	DESCRIPTION	SEE SEC.
1	3889522	1	Wiring harness	
2			• Switch	10019
3	8159013	1	• Housing	
	3987768	1	• Adapter	
	8155901	3	• Cable terminal	
	8155900	3	• Cable seal	
	8155899	2	• Sealing plug	
4	8159013	1	• Housing	
	3987768	1	• Adapter	
	8155901	4	• Cable terminal	
	8155900	4	• Cable seal	
5	20429873	1	• Insulator cover	
	3986767	1	• Cable terminal	
	3944655	1	• Seal	
	970771	4	• Cable seal	
6	8159013	1	• Housing	
	3987768	1	• Adapter	
	8155901	3	• Cable terminal	
	8155900	3	• Cable seal	
	8155899	1	• Sealing plug	
7	8159013	2	• Housing	
	3987768	2	• Adapter	
	8155901	6	• Cable terminal	
	8155900	6	• Cable seal	
	8155899	2	• Sealing plug	
8	1624477	1	• Insulator	
9	874114	1	• Insulator	
	874033	5	• Cable terminal	
	874115	1	• Wedge	
	3114081	1	• Sealing plug	
	874250	2	• Pin	
10	874368	1	• Receptacle housing	
	881788	2	• Cable terminal	
	8155901	3	• Cable terminal	
	970772	2	• Cable seal	
11	8159013	1	• Housing	
	3987768	1	• Adapter	
	8155901	2	• Cable terminal	
	8155900	2	• Cable seal	
	8155899	2	• Sealing plug	
12	1624477	1	• Insulator	
13	8159013	1	• Housing	
	8155901	2	• Cable terminal	
	8155903	2	• Cable terminal	
	8155899	2	• Sealing plug	
14	874368	1	• Receptacle housing	
	881788	2	• Cable terminal	
	970772	2	• Cable seal	
15	20409386	6	• Insulator	
	20375186	12	• Cable terminal	
	970773	12	• Cable seal	
16	8142001	1	• Insulator	
17	874456	1	• Receptacle housing	
	881788	4	• Cable terminal	
	970772	4	• Cable seal	
	948702	1	• Cable tie	
	11039397	1	• End sleeve	
18	874368	1	• Receptacle housing	
	881788	2	• Cable terminal	
	970772	2	• Cable seal	
19	9148263	1	• Housing	
	970749	6	• Cable terminal	
	970773	6	• Cable seal	
	9148135	20	• Switch	
	9148107	20	• Seal	
	873632	1	• Protecting sleeve	
20	8159013	1	• Housing	
	8155901	3	• Cable terminal	

D16C-A MG

REF	PART NO.	QTY	DESCRIPTION	SEE SEC.
20	8155900	3	· Cable seal	
	8155899	1	· Sealing plug	
21	8159013	1	· Housing	
	8155901	3	· Cable terminal	
	8155900	3	· Cable seal	
	8155899	1	· Sealing plug	
22	949747	3	Clamp	
23	946440	3	Flange screw	
24	949997	2	Clamp	
25	946173	2	Flange screw	
26	949746	1	Clamp	
27	946440	1	Flange screw	
28	942810	1	Clamp	
29	946670	1	Flange screw	
30	947827	3	Clamp	
31	946440	3	Flange screw	

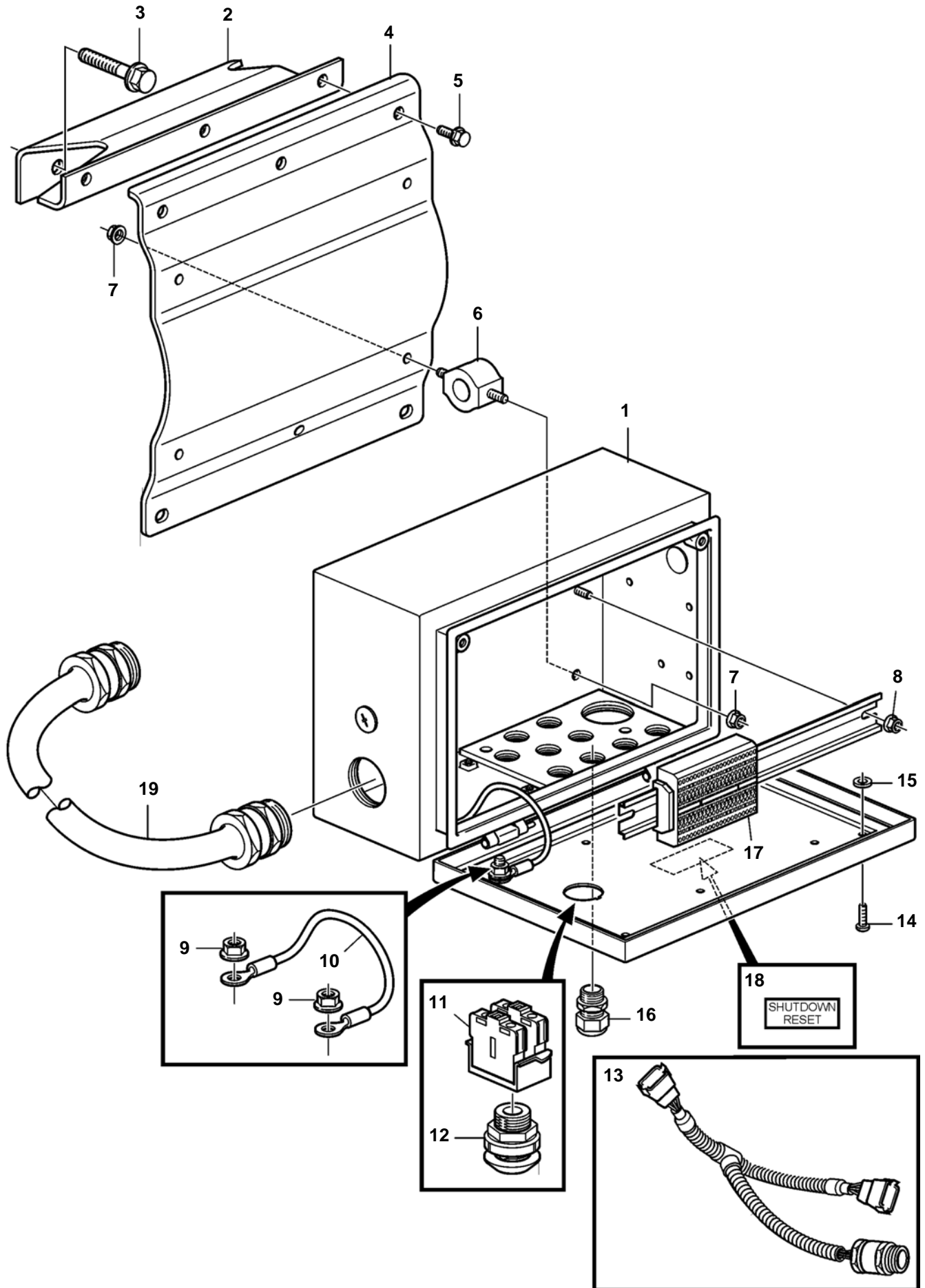
D16C-A MG



D16C-A MG

REF	PART NO.	QTY	DESCRIPTION	NOTES
1	3841323	1	Electrical distribut	
2		1	Bracket	
3	946329	1	Flange screw	
4	946817	3	Flange screw	
5	3839156	4	Rubber cushion	
6	945407	8	Flange nut	
7	965483	2	Flange nut	
8	945408	2	Flange nut	
9		1	Ground cable	
10	3817574	1	Contact unit	
11	3817578	1	Push button	
12	881630	1	Cable kit	
13		2	Screw	M6x22
14		2	Washer	Washer with rubber gasket.
15	3883134	7	Cable union	
16	3818926	1	Electronic unit	
17	3586456	1	Label	
18	3818484	1	Wiring harness	

D16C-A MG

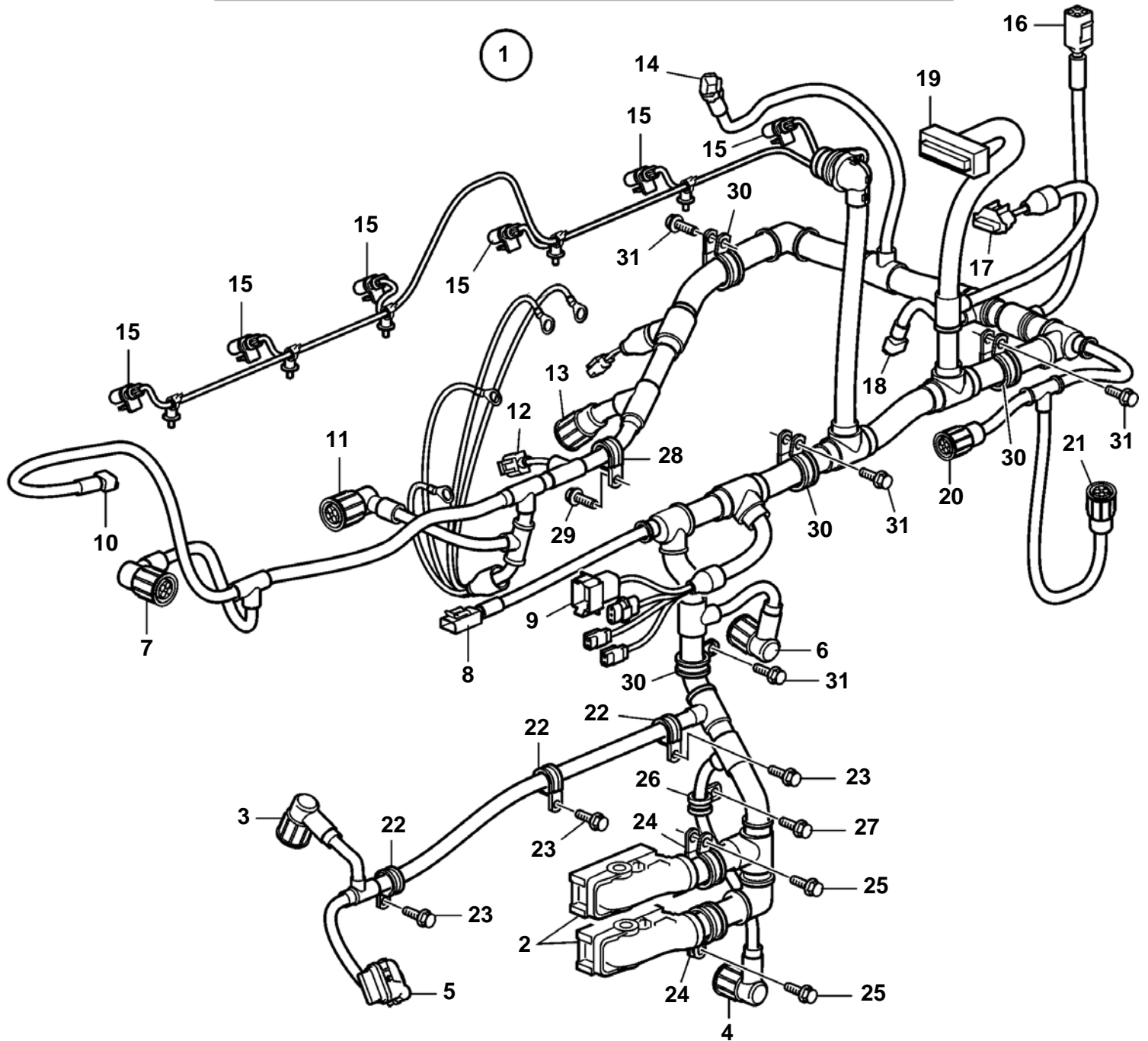
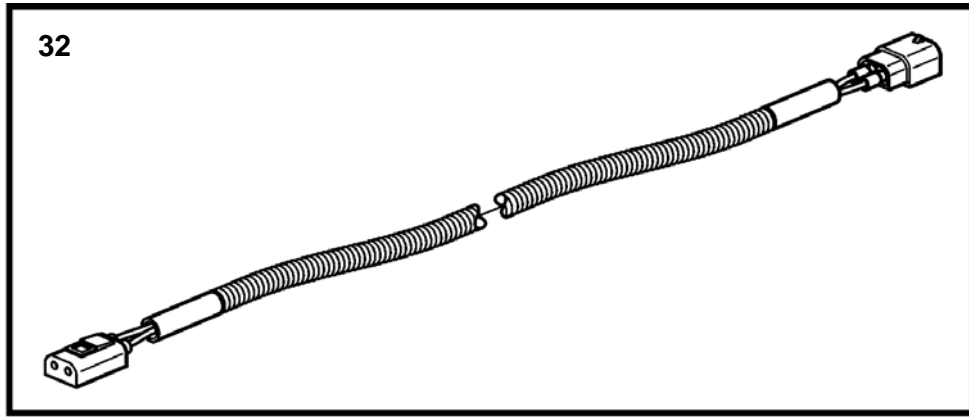




D16C-A MG

REF	PART NO.	QTY	DESCRIPTION	NOTES
1	3841323	1	Electrical distribut	
2		1	Bracket	
3	948039	2	Flange screw	
4		1	Bracket	
5	946173	5	Flange screw	
6	3839156	4	Rubber cushion	
7	945407	8	Flange nut	
8	965483	2	Flange nut	
9	945408	2	Flange nut	
10	970624	1	Electric cable	
11	3817574	1	Contact unit	
12	3817578		Push button	
13	881630	1	Cable kit	
14			Screw	M6x22
15			Washer	Washer with rubber gasket.
16	3883134	7	Cable union	
17	3818926	1	Electronic unit	
18	3586456	1	Label	
19	3818484	1	Wiring harness	

D16C-A MG, D16C-A MG RC



24038

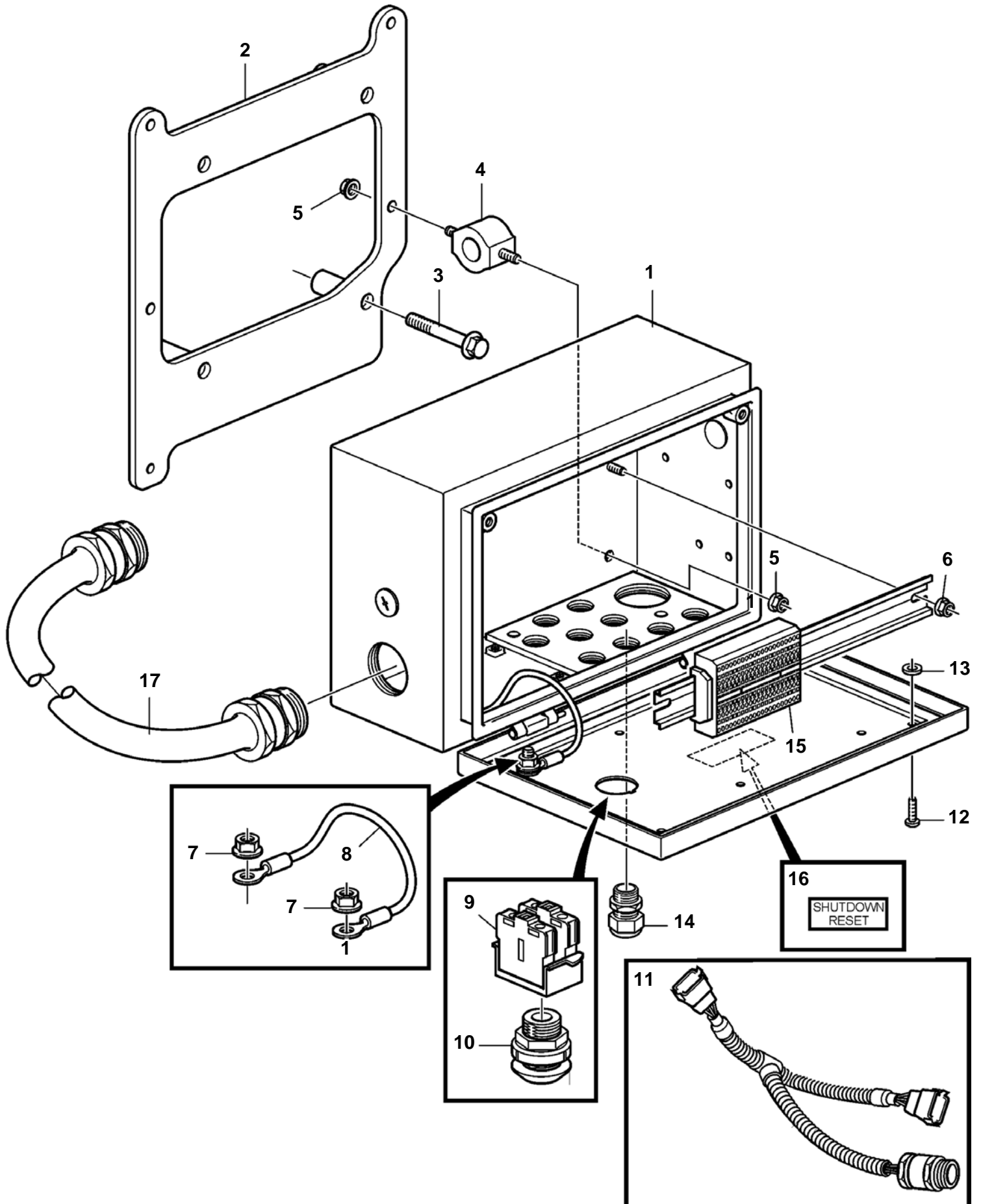
D16C-A MG, D16C-A MG RC

REF	PART NO.	QTY	DESCRIPTION	SEE SEC.	NOTES
1	3889522	1	Wiring harness		
2			· Switch	10019	
3	8159013	1	· Housing		
	3987768	1	· Adapter		
	8155901	3	· Cable terminal		
	8155900	3	· Cable seal		
	8155899	2	· Sealing plug		
4	8159013	1	· Housing		
	3987768	1	· Adapter		
	8155901	4	· Cable terminal		
	8155900	4	· Cable seal		
5	20429873	1	· Insulator cover		
	3986767	1	· Cable terminal		
	3944655	1	· Seal		
	970771	4	· Cable seal		
6	8159013	1	· Housing		
	3987768	1	· Adapter		
	8155901	3	· Cable terminal		
	8155900	3	· Cable seal		
	8155899	1	· Sealing plug		
7	8159013	2	· Housing		
	3987768	2	· Adapter		
	8155901	6	· Cable terminal		
	8155900	6	· Cable seal		
	8155899	2	· Sealing plug		
8	1624477	1	· Insulator		
9	874114	1	· Insulator		
	874033	5	· Cable terminal		
	874115	1	· Wedge		
	3114081	1	· Sealing plug		
	874250	2	· Pin		
10	874368	1	· Receptacle housing		
	881788	2	· Cable terminal		
	8155901	3	· Cable terminal		
	970772	2	· Cable seal		
11	8159013	1	· Housing		
	3987768	1	· Adapter		
	8155901	2	· Cable terminal		
	8155900	2	· Cable seal		
	8155899	2	· Sealing plug		
12	1624477	1	· Insulator		
13	8159013	1	· Housing		
	8155901	2	· Cable terminal		
	8155903	2	· Cable terminal		
	8155899	2	· Sealing plug		
14	874368	1	· Receptacle housing		
	881788	2	· Cable terminal		
	970772	2	· Cable seal		
15	20409386	6	· Insulator		
	20375186	12	· Cable terminal		
	970773	12	· Cable seal		
16	8142001	1	· Insulator		
17	874456	1	· Receptacle housing		
	881788	4	· Cable terminal		
	970772	4	· Cable seal		
	948702	1	· Cable tie		
	11039397	1	· End sleeve		
18	874368	1	· Receptacle housing		
	881788	2	· Cable terminal		
	970772	2	· Cable seal		
19	9148263	1	· Housing		
	970749	6	· Cable terminal		
	970773	6	· Cable seal		
	9148135	20	· Switch		
	9148107	20	· Seal		
	873632	1	· Protecting sleeve		
20	8159013	1	· Housing		
	8155901	3	· Cable terminal		

D16C-A MG, D16C-A MG RC

REF	PART NO.	QTY	DESCRIPTION	SEE SEC.	NOTES
20	8155900	3	• Cable seal		
	8155899	1	• Sealing plug		
21	8159013	1	• Housing		
	8155901	3	• Cable terminal		
	8155900	3	• Cable seal		
	8155899	1	• Sealing plug		
22	949747	3	Clamp		
23	946440	3	Flange screw		
24	949997	2	Clamp		
25	946173	2	Flange screw		
26	949746	1	Clamp		
27	946440	1	Flange screw		
28	942810	1	Clamp		
29	946670	1	Flange screw		
30	947827	3	Clamp		
31	946440	3	Flange screw		
32	3594069	1	Wiring harness		Cable for sensor, expansions tank

D16C-A MG RC

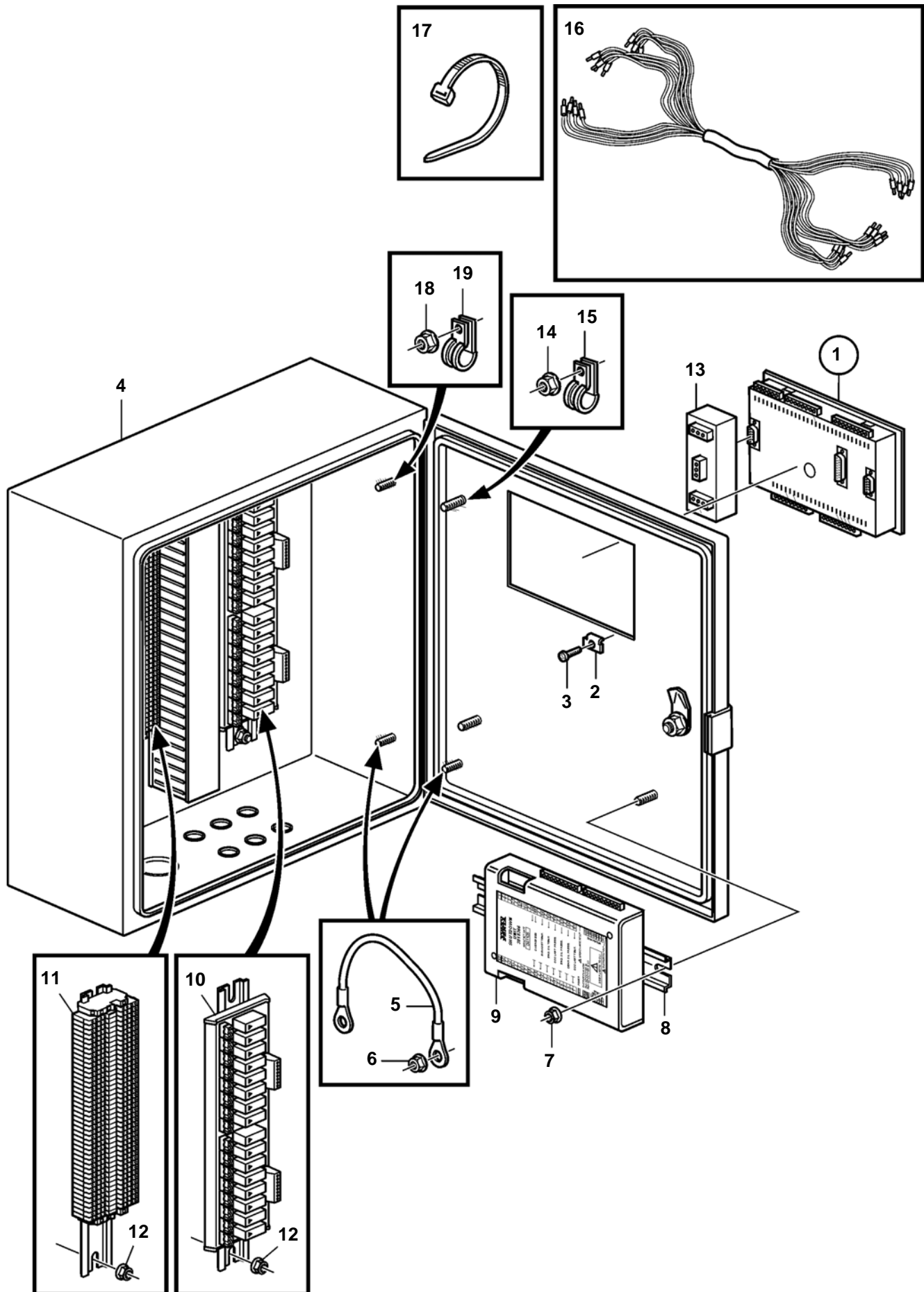


24045

D16C-A MG RC

REF	PART NO.	QTY	DESCRIPTION	NOTES
1	3841323	1	Electrical distribut	
2	3594783	1	Bracket	
3	975154	4	Flange screw	
4	3839156	4	Rubber cushion	
5	945407	8	Flange nut	
6	965483	2	Flange nut	
7	945408	2	Flange nut	
8		1	Ground cable	
9	3817574	1	Contact unit	
10	3817578	1	Push button	
11	881630	1	Cable kit	
12		2	Screw	M6x22
13		2	Washer	Washer with rubber gasket.
14	3883134	7	Cable union	
15	3818926	1	Electronic unit	
16	3586456	1	Label	
17	3818484	1	Wiring harness	

D16C-A MG

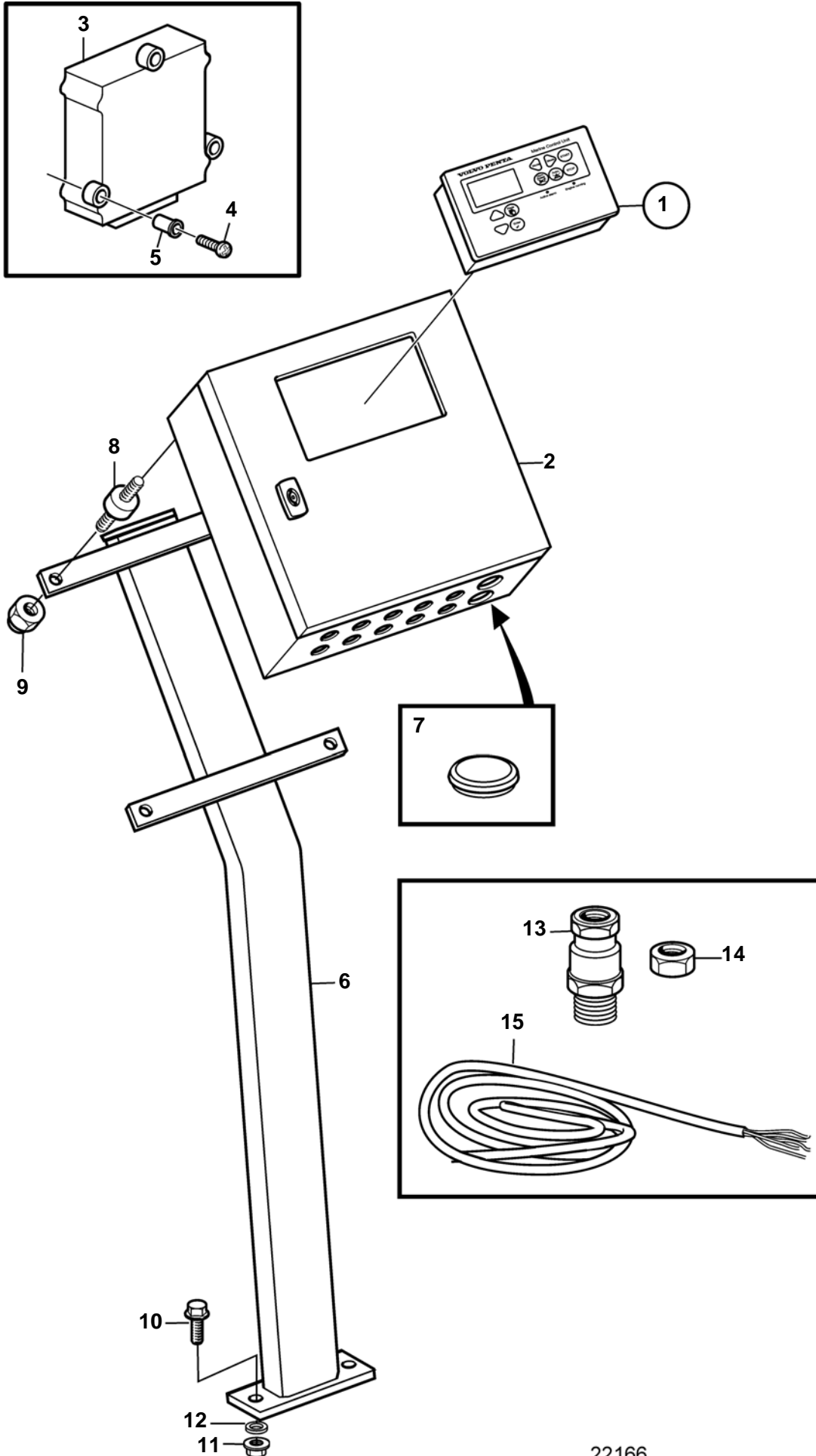


D16C-A MG

REF	PART NO.	QTY	DESCRIPTION	SEE SEC.	NOTES
1	3818237	1	Control unit		Monitor Control Unit
			• Bulletin P-28-4-4	P-28-4-4-EN	Software Handling Procedures (3884603)
1	3888244	1	Electronic unit		
2		4	• Lock clip		
3		4	• Screw		
4	3843541	1	Electrical distribut		
5		1	• Ground cable		
6		1	• Nut		
7		2	• Nut		
8		1	• Rail		
9	3819845	1	Electronic unit		
			• Bulletin P-28-4-4	P-28-4-4-EN	Software Handling Procedures
10	3818362	1	Relay unit		
			• Bulletin P-28-4-4	P-28-4-4-EN	Software Handling Procedures
11	3842883	1	Terminal block		
12	965483	4	Flange nut		
13	3818364	1	Electronic unit		
			• Bulletin P-28-4-4	P-28-4-4-EN	Software Handling Procedures
14	945407	1	Flange nut		
15	952633	1	Clamp		
16	3818577	1	Wiring harness		
17	948211	X	Cable tie		
18	945408	1	Flange nut		
19	945081	1	Clamp		



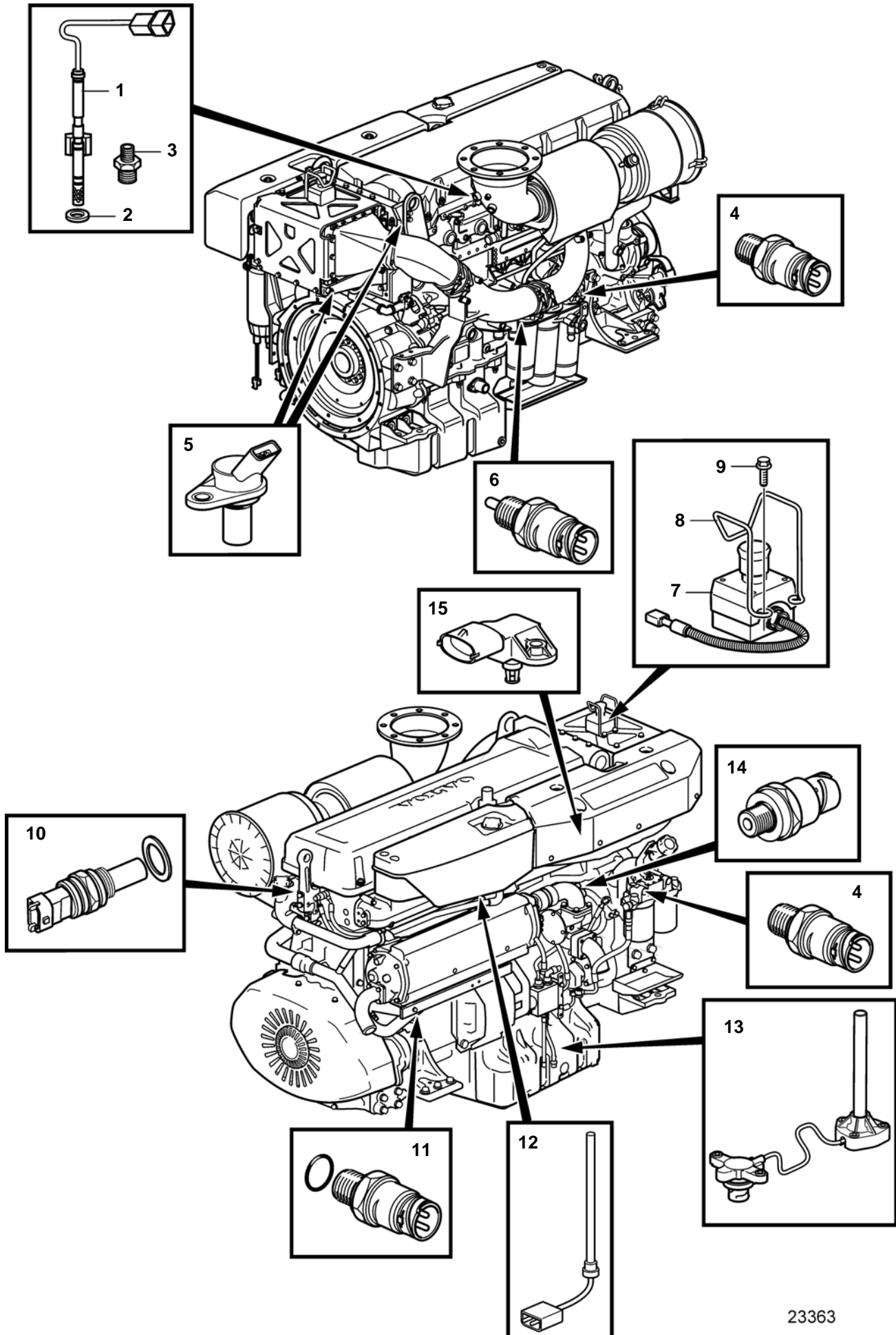
D16C-A MG



D16C-A MG

REF	PART NO.	QTY	DESCRIPTION	SEE SEC.	NOTES
1		1	Electronic unit	21390	
2		1	Box	21390	
3	3888244	1	Electronic unit		(3884603)
4	965176	3	Flange screw		
5	930760	3	Expanding nut		
6	3883975	1	Bracket		
7	941268	X	Plug		D=20mm
	943920	X	Plug		D=1.10"(28mm)
	662620	X	Rubber button		D=28mm
8	863415	4	Rubber cushion		
9	945408	4	Flange nut		
10	965193	2	Flange screw		
11	971096	2	Flange nut		
12		2	U-member washer		
13	881193	1	Cable union		
14	880755	1	Nut		
15	970624	1	Electric cable		L=300mm

D16C-A MG

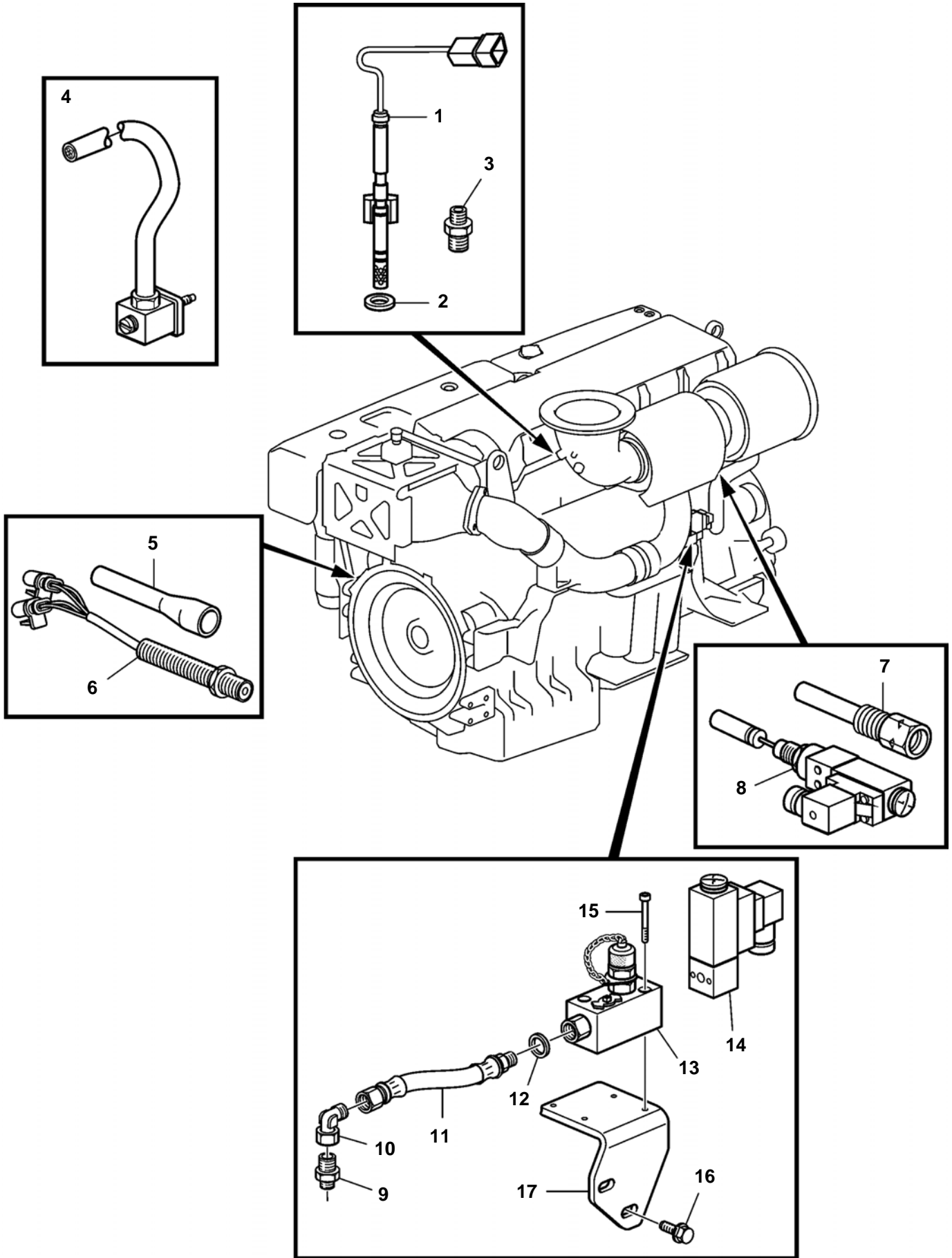


23363

**D16C-A MG**

REF	PART NO.	QTY	DESCRIPTION	NOTES
1	874330	1	Temperature sensor, exhaust temp	
2	947626	1	Gasket	
3	874318	1	Fitting	
4	20796740	1	Pressure sensor, oil pressure	Replaced by 20898038
	20886108	1	Pressure sensor, fuel/oil pressure	Replaced by 20898038
	20898038	1	Pressure sensor	
5	20513343	2	Sensor, Timing	
6	874673	1	Pressure switch, piston cooling	Replaced by 21202753.
	21202753	1	Pressure switch	
7	3588180	1	Stop button	
8	3838198	1	Protecting brace	
9	946440	2	Flange screw	
10	20513340	1	Sensor, fresh water	
11	20796744	1	Pressure sensor, crankhouse	
12	3588990	1	Level sensor, expansion tank	
13	24424110	1	Sensor, oil level	Replaced by 21042447
	21042447	1	Oil level sensor	
14	874329	1	Sensor, sea water pump	Replaced by 3808805.
	3808805	1	Pressure sensor	
15	20524936	1	Pressure sensor, charge pressure/temperature	

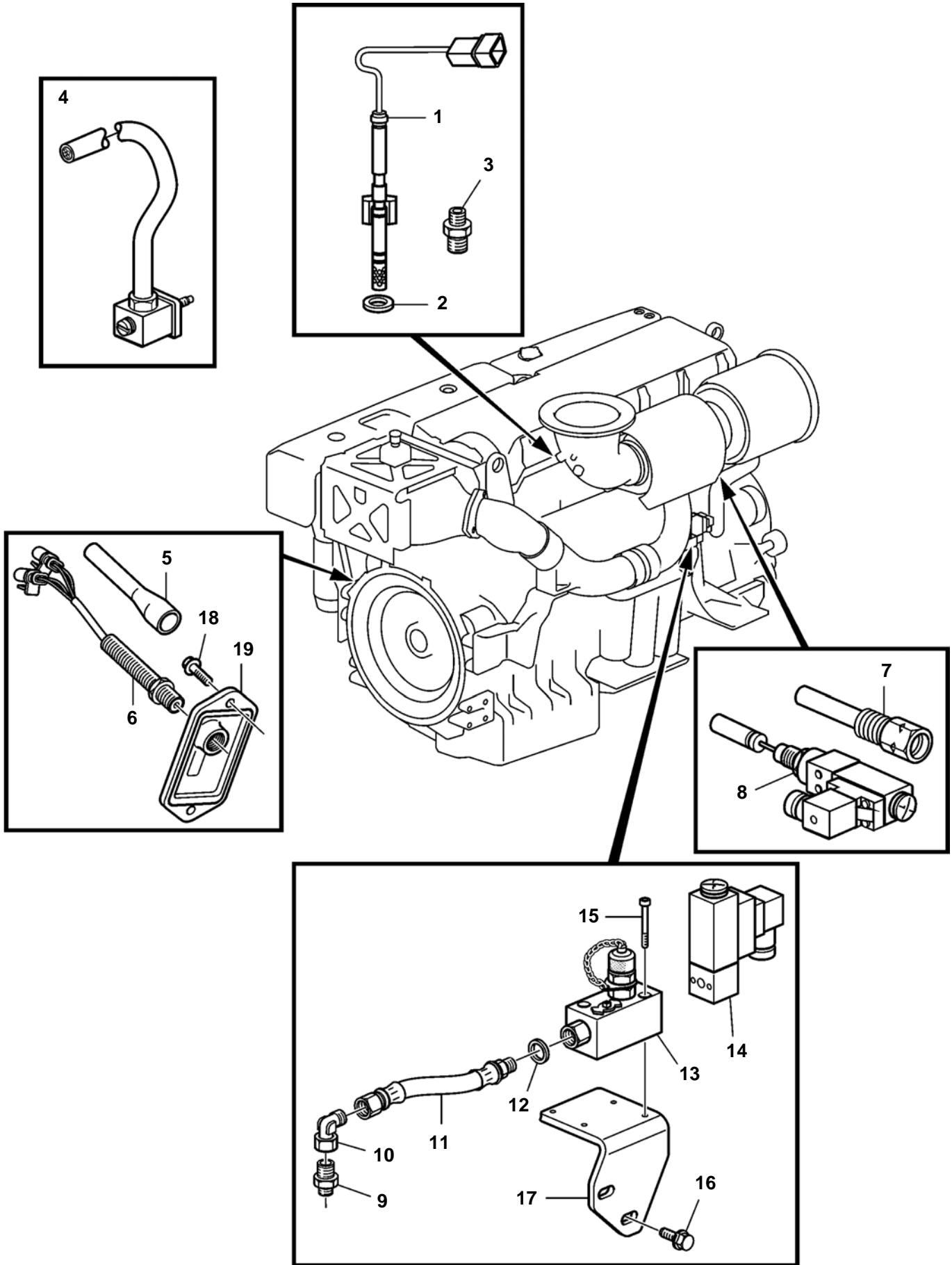
D16C-A MG



D16C-A MG

REF	PART NO.	QTY	DESCRIPTION
1	874330	1	Temperature sensor, exhaust temp
2	947626	1	Gasket
3	874318	1	Fitting
4	3588563	1	Wiring harness
5	3819906	1	End sleeve
6	3589140	1	Tachometer sensor
7	873715	1	Sleeve
8	881869	1	Thermo monitor, coolant water
9	991057	1	Nipple
10		1	Elbow nipple
11	3588966	1	Oil hose
12	11998	1	Gasket
13	3831442	2	Block
14	881871	2	Pressure monitor
15	947671	2	Hex. socket screw
16	946440	2	Flange screw
17		1	Bracket

D16C-A MG, D16C-A MG RC

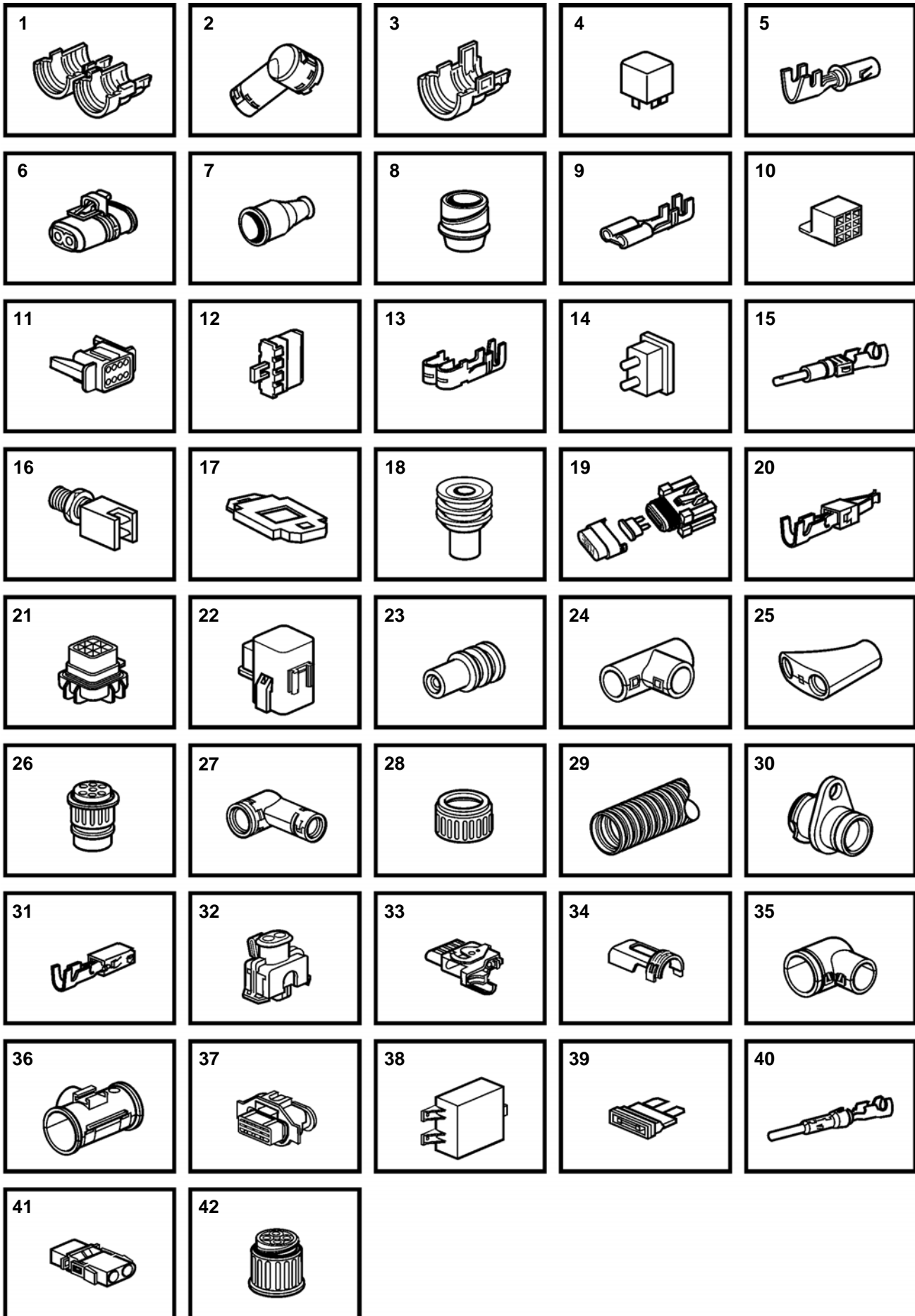


**D16C-A MG, D16C-A MG RC**

REF	PART NO.	QTY	DESCRIPTION
1	874330	1	Temperature sensor, exhaust temp
2	947626	1	Gasket
3	874318	1	Fitting
4	3588563	1	Wiring harness
5	3819906	1	End sleeve
6	3589140	1	Tachometer sensor
7	873715	1	Sleeve
8	881869	1	Thermo monitor, coolant water
9	991057	1	Nipple
10		1	Elbow nipple
11	3588966	1	Oil hose
12	11998	1	Gasket
13	3831442	2	Block
14	881871	2	Pressure monitor
15	947671	2	Hex. socket screw
16	946440	2	Flange screw
17		1	Bracket
18	946934	2	Flange screw
19	4772168	1	Cover



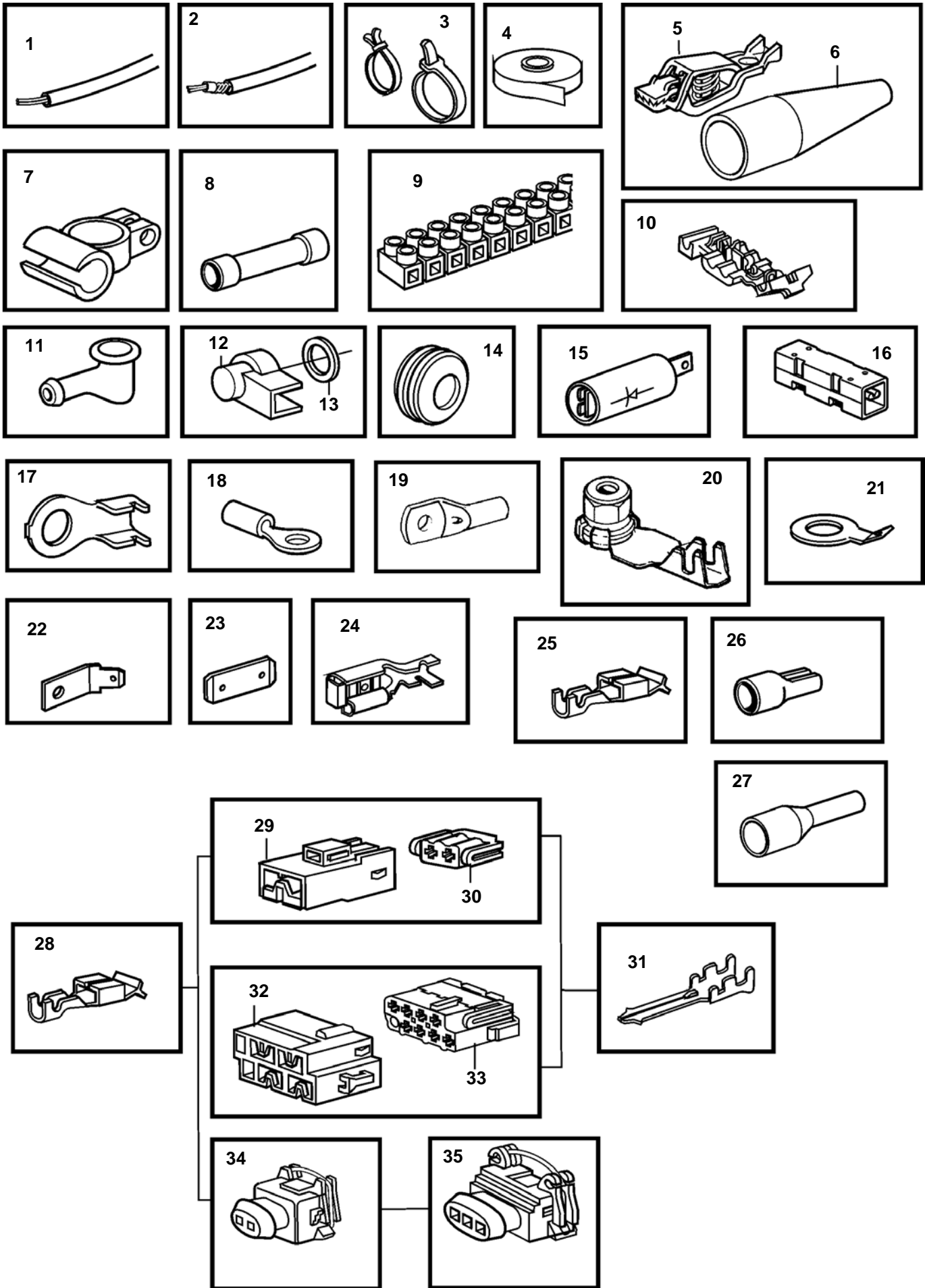
D16C-A MG, D16C-A MG RC



## D16C-A MG, D16C-A MG RC

REF	PART NO.	QTY	DESCRIPTION	NOTES
1	3985597	1	Adapter	L=32mm
	3985620	1	Adapter	
2	3987768	2	Adapter	
3	8159018	2	Adapter	
4	20374662	1	Relay	
5	20375186	12	Cable terminal	
	3963409	3	Cable terminal	
	3986767	X	Cable terminal	O.D=0,3mm
	11039671	3	Cable terminal	
6	20409386	6	Insulator	
7	11039397	1	End sleeve	
8	1079283	1	Cover	
9	973122	5	Cable terminal	
10	973121	1	Cable terminal	
11	874114	1	Insulator	
12	874115	1	Wedge	
13	874220	2	Cable terminal	
14	874250	2	Pin	FOR 874114
15	874033	6	Cable terminal	
	192396	X	Cable terminal	
16	873959	1	Breaker	STOP
17	873944	1	Retainer	FOR FUSE 980555
18	873854	2	Sealing sleeve	
19	874111	1	Fuse holder	10 AMP
20	3587154	3	Cable terminal	
	3587151	1	Cable terminal	
21	3587172	1	Relay socket	
22	3587173	1	Relay box	
23	3587461	X	Sealing plug	
	3587158	1	Sealing wire	
	3587170	3	Sealing wire	
	970771	X	Cable seal	I.D=3,4mm Y.D=6,0mm
	8159012	X	Sealing	I.D=0,1mm Y.D=3,9mm
24	9806110	2	Coupling piece	
	3171511	X	Coupling piece	D=10mm
	3171768	X	Manifold	D=13mm
	7807398	1	Coupling piece	
	7807403	1	Coupling piece	
25	3943200	2	Manifold	L=68,8mm
	3986692	1	Manifold	
	3987598	1	Manifold	L=48,2mm
	3988390	1	Manifold	L=57,9mm
	3986692	1	Manifold	
26	3963412	1	Housing	
27	3985598	1	Adapter	D=25,8mm
	3987766	2	Adapter	D=24mm
28	8141886	1	Adapter	D=22mm
29	874558	X	Hose	I.D=8,5mm
	874559	X	Hose	I.D=10mm
	874560	X	Hose	I.D=13mm
	874561	X	Hose	I.D=17mm
	874562	X	Hose	I.D=22mm
	874563	X	Hose	I.D=26mm
30	20429993	1	Pass-through	
31	8155903	X	Cable terminal	
32	874368	1	Receptacle housing	
33	20429872	1	Housing	
34	20429873	X	Insulator cover	
35	20450150	1	Adapter	
36	3943090	X	Manifold	
37	874456	1	Receptacle housing	
38	881788	X	Cable terminal	
39	969161	1	Fuse	10A
40	984945	X	Cable terminal	(3963408)
41	948995	1	Housing	
42	8159013	X	Housing	

D16C-A MG, D16C-A MG RC



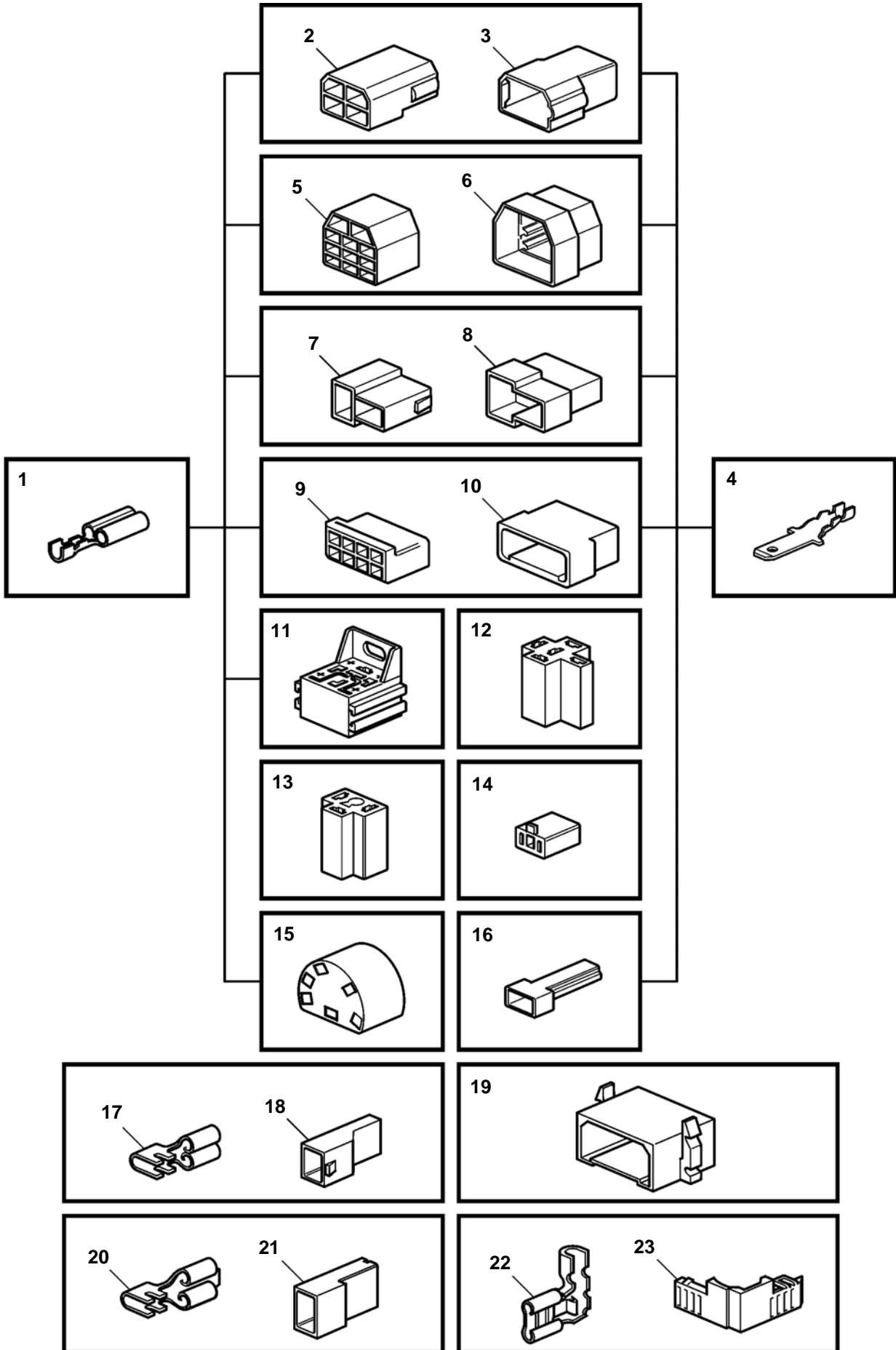
## D16C-A MG, D16C-A MG RC

REF	PART NO.	DESCRIPTION	NOTES
1	970624	Electric cable, type RK	1,5sq.mm, BLACK
	970626	Electric cable, type RK	1,5sq.mm, RED
	970661	Electric cable, type R2	1,5sq.mm, RED
		Electric cable, type R2	2,5sq.mm, BLACK
	970698	Electric cable, type R2	2,5sq.mm, RED
	970700	Electric cable, type RK	4,0sq.mm, BLACK
	970709	Electric cable, type RK	6,0sq.mm, BLACK
	970711	Electric cable, type R2	6,0sq.mm, RED
	954485	Electric cable, type RK	16,0sq.mm, RED
		Electric cable, type RK	25,0sq.mm, RED
	954502	Electric cable, type RK	35,0sq.mm, RED
2	874854	Power cable	Non reinforced ship cable approved by classification societies., 2x1,5sq.mm
	863657	Cable	Reinforced ship cable approved by classification societies., 4,0sq.mm, RED
	874855	Power cable	Non reinforced ship cable approved by classification societies., 2x2,5sq.mm
		Cable	Non reinforced ship cable approved by classification societies., 3x1,5sq.mm
	874858	Power cable	Non reinforced ship cable approved by classification societies., 6,0sq.mm, BLACK
		Cable	Non reinforced ship cable approved by classification societies., 16,0sq.mm, RED
	874861	Power cable	Non reinforced ship cable approved by classification societies., 25,0sq.mm, RED
	874862	Power cable	Non reinforced ship cable approved by classification societies., 35,0sq.mm, RED
	846639	Electric cable	Non reinforced ship cable approved by classification societies., 2x1,5sq.mm
	874870	Power cable	Non reinforced ship cable approved by classification societies., 2x1,5sq.mm
	872679	Wiring harness	(846346)
	872939	Adapter	(846346)
	874346	Electric cable	Reinforced ship cable approved by classification societies., RFOU 0,6/1kv
3	948211	Cable tie	3x1,5sq.mm
	949666	Cable tie, with mount. hole	3x4,0sq.mm
	948616	Cable tie	3x6,0sq.mm
	862832	Cable tie, steel	4x1,5sq.mm
4	858283	Tape	4x2,5sq.mm
5	844280	Clip, battery cable +pole	16x1,5sq.mm
6		Isolation	Red
		Isolation	BLACK
7	954505	Cable terminal, battery cable -pole	D=77mm L=280mm
	954506	Cable terminal, battery cable +pole	D=42mm L=170mm
8	956956	Splice	D=102mm L=362mm
	956958	Splice	1,5-2,5sq.mm, BLUE
	956960	Splice	L=61mm
9	926219	Coupling piece	BLACK
10	944306	Connector	BLUE
11	829200	Protective cap	0,5-1,0sq.mm, RED
12	1234326	Protecting casing	1,5-2,5sq.mm, BLUE
13	960140	Washer	3-6sq.mm, YELLOW
14	941269	Plug	MAX 20sq.mm, 12-POLE
	821053	Protecting bushing	I.D=35mm
	943920	Plug	I.D=40mm
15	20382270	Diode	
16	20382270	Diode	
17	970788	Cable terminal	M5x1,1-2,5sq.mm
	970789	Cable terminal	M6x1,1-2,5sq.mm
		Cable terminal	M10x1,1-2,5sq.mm
18	881492	Cable terminal	M4x1,1-2,5sq.mm
	881493	Cable terminal	M5x1,1-2,5sq.mm
	881508	Cable terminal	M6x1,1-2,5sq.mm
	881494	Cable terminal	M8x1,1-2,5sq.mm
	881504	Cable terminal	M10x1,1-2,5sq.mm
	881506	Cable terminal	M4x2,6-6,0sq.mm
	881495	Cable terminal	M5x2,6-6,0sq.mm
	881496	Cable terminal	M6x2,6-6,0sq.mm
	881497	Cable terminal	M8x2,6-6,0sq.mm
	881498	Cable terminal	M10x2,6-6,0sq.mm
	940331	Cable terminal	M5x6,1-10,0sq.mm
	940332	Cable terminal	M6x6,1-10,0sq.mm
	940333	Cable terminal	M8x6,1-10,0sq.mm
		Cable terminal	M10x6,1-10,0sq.mm
	881512	Cable terminal	M5x10,1-16,0sq.mm
	940335	Cable terminal	M6x10,1-16,0sq.mm
	940336	Cable terminal	M8x10,1-16,0sq.mm
	940337	Cable terminal	M10x10,1-16,0sq.mm

## D16C-A MG, D16C-A MG RC

REF	PART NO.	DESCRIPTION	NOTES
19	949587	Cable terminal	M10x10mm2
20	8140576	Nut	M4
21	865758	Cable terminal	I.D=12,5 D=23mm
22	944485	Cable terminal	6,3xM5x180
23	839328	Tab	16,3x6,3x0,8
24	881491	Cable terminal	6,3x0,75-2,1sq.mm
25	853015	Cable terminal	For trim instrument., FOR 853866, YASAKI
26	942429	Cable terminal	FOR 853866, YASAKI
27	3829867	Cable terminal	
	3829868	Cable terminal	
28	970777	Cable terminal	
29	968377	Housing	2,8x2 NATURAL
	968379	Housing	2,8x2 GRAY
30	968376	Housing	4,8/2,8x2 NATURAL
	968378	Housing	4,8/2,8x2 GRAY
31	974313	Cable terminal	2,8x0,8x1,1-2,5sq.mm
32	968401	Housing	2,8x8 NATURAL
33	968400	Housing	4,8/2,8x8 NATURAL
34	976256	Housing	2-POLE
35	967713	Housing	3-pole

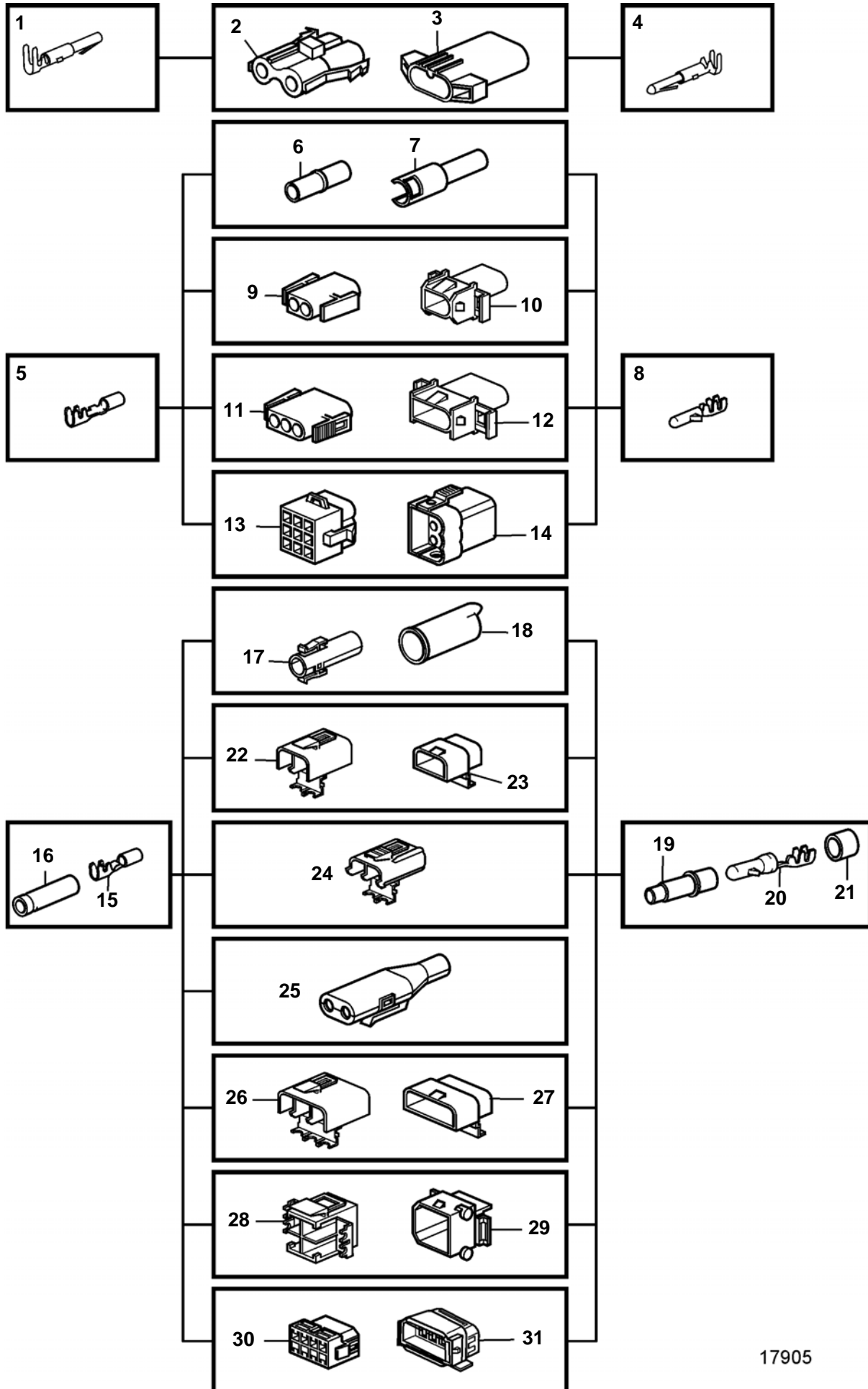
D16C-A MG, D16C-A MG RC



## D16C-A MG, D16C-A MG RC

REF	PART NO.	DESCRIPTION	NOTES
1	973150	Cable terminal	6,3x0,8x1,1-2,5sq.mm
	949206	Cable terminal	6,3x0,8x4,0-6,0sq.mm
2	948856	Housing	6,3x4 NATURAL
3	948855	Housing	6,3x4 NATURAL
4	973117	Cable terminal	6,3x0,8x0,5-1,0mm <sup>2</sup>
	881487	Cable terminal	6,3x0,8x0,75-2,5sq.mm
	881488	Cable terminal	6,3x0,8x4,0-6,0sq.mm
5	945830	Housing	6,3x11 NATURAL
6	945831	Tab housing	6,3x11 NATURAL
7	958210	Housing	6,3x2 BLACK
8	958209	Housing	6,3x2 BLACK
9	944076	Housing	6,3x8 NATURAL
10	948857	Housing	6,3x8 NATURAL
11	977184	Housing	6,3x5x4,8/2,8x4
12	1214948	Housing	6,3x5 BLACK
13	945469	Housing	6,3x3 BLACK
14	1578937	Housing	6,3x2 NATURAL
15	828624	Receptacle housing	6,3x6
16	958207	Housing	6,3x1 BLACK
17	949405	Cable terminal	4,8x1,1-2,5sq.mm
18	947848	Housing	4,8x1 NATURAL
19	944077	Housing	6,3x8 NATURAL
20	881483	Cable terminal	6,3x0,8x1,1-2,5sq.mm
	881484	Cable terminal	6,3x0,8x4,0-6,0sq.mm
21	949597	Housing	6,3x1 NATURAL
	943511	Housing	6,3x1 NATURAL
22	881489	Cable terminal	6,3x0,8x1,1-2,5
23	944221	Housing	6,3x1 NATURAL

D16C-A MG, D16C-A MG RC



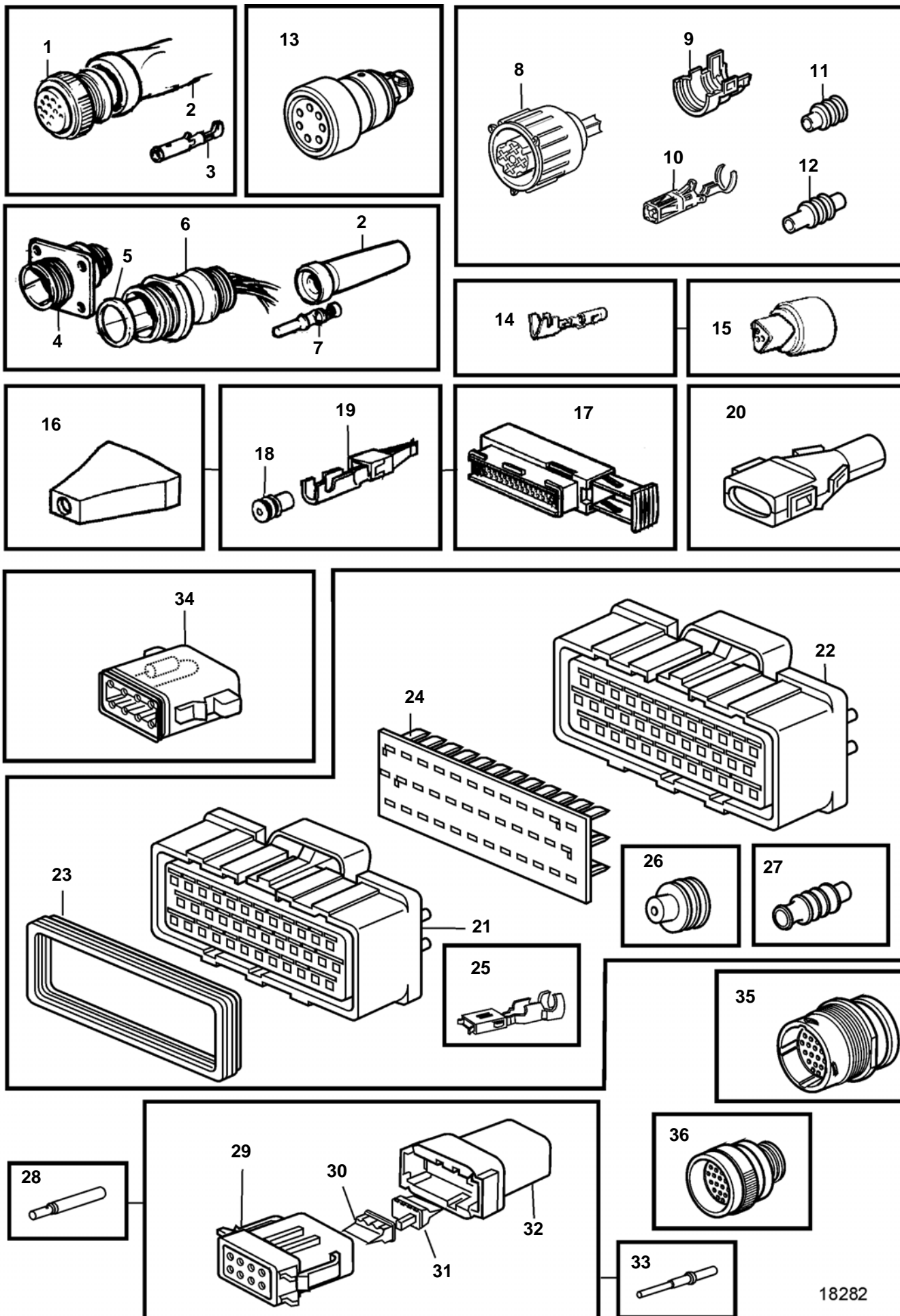
17905



## D16C-A MG, D16C-A MG RC

REF	PART NO.	DESCRIPTION	NOTES
1	946038	Cable terminal	2,1x0,5-1mm2
2	944224	Housing	2-POLE
3	944223	Housing	2-POLE
4		Cable terminal	Not marketed by Volvo Penta., 2,1x0,5-1mm2
5	965822	Cable terminal	3,5x1,1-2,5sq.mm
	948289	Cable terminal	3,5x2,5-4,0sq.mm
6	949584	Housing	3,5x1 NATURAL
7	949583	Housing	3,5x1 NATURAL
8	969831	Cable terminal	3,5x0,5-1mm2
	965824	Cable terminal	3,5x1,1-2,5sq.mm
	965825	Cable terminal	3,5x2,6-4,0sq.mm
9	948996	Housing	3,5x2 NATURAL
10	948995	Housing	3,5x2 NATURAL
11	948296	Housing	3,5x3 NATURAL
12	948297	Housing	3,5x3 NATURAL
13	948294	Housing	3,5x9 NATURAL
14	948295	Housing	3,5x9 NATURAL
15	949371	Cable terminal	3,5x0,75-1,5mm2
	1598753	Isolation	3,5x2,5-4,5sq.mm
16	1598753	Isolation	
17	1307035	Housing	1-POLE
18	1308436	Housing	1-POLE
19	1608765	Insulator	
20	965824	Cable terminal	3,5x2,5-4,5sq.mm
21	1608766	Seal	
22	1307048	Housing	2-POLE
23	1307049	Housing	2-POLE
24	970753	Housing	2-POLE
25	1624477	Insulator	2-POLE
26	1259828	Housing	3-pole
27	3523442	Pin housing	3-POLIG (1259829)
28	1259830	Housing	4-POLE
29	1259831	Housing	4-POLE
30	966812	Housing	8-POLE
31	967809	Housing	8-POLE

D16C-A MG, D16C-A MG RC

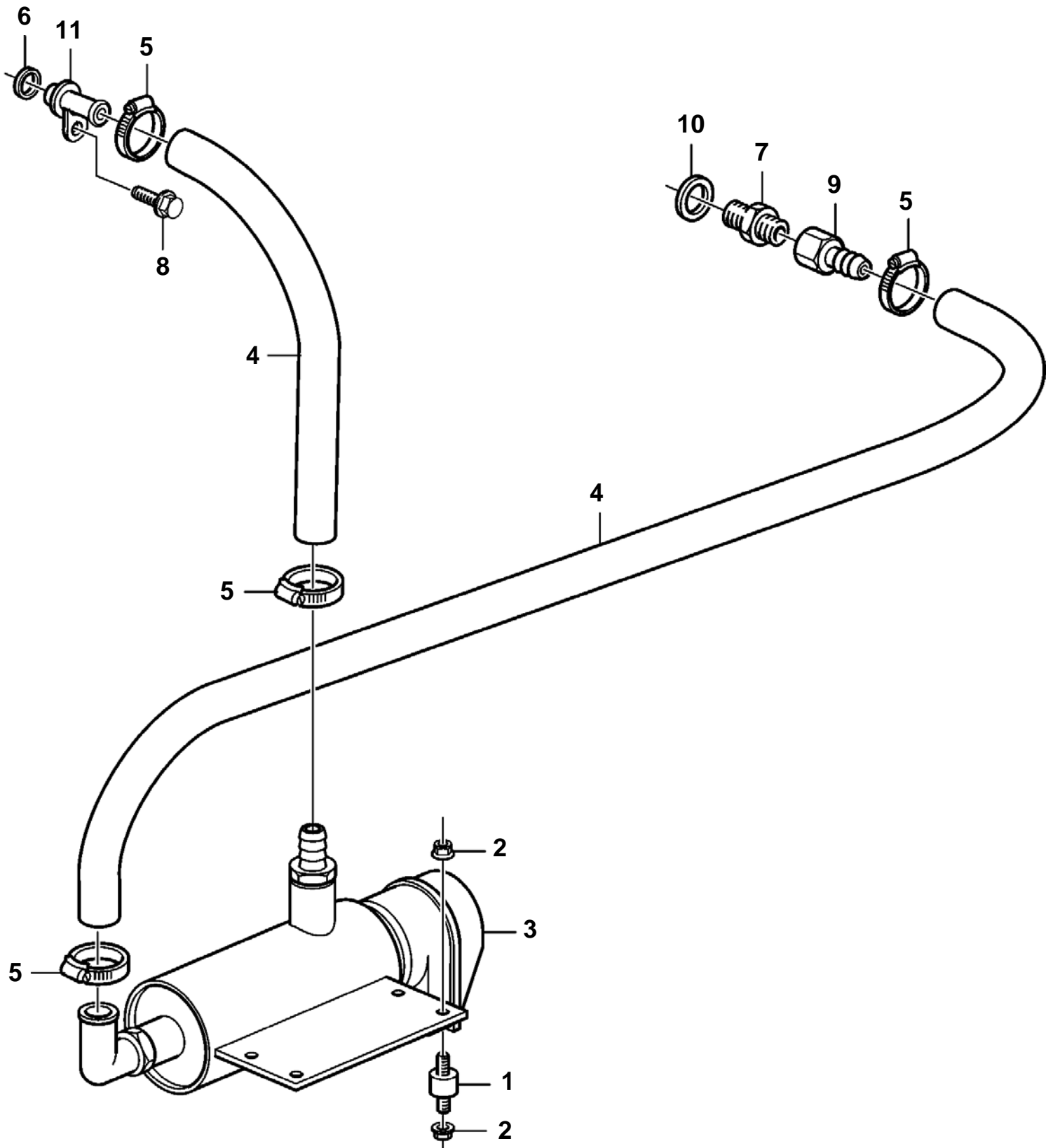


18282

## D16C-A MG, D16C-A MG RC

REF	PART NO.	DESCRIPTION	NOTES
1	846612	Housing	16-POLE
2	847005	Sealing collar	L=100mm D=20mm
3	849959	Cable terminal	
4	846611	Housing	16-POLE
5	846615	Sealing ring	
6	846647	Block	16-POLE
7	849958	Cable terminal	1,6x0,5-1,5sq.mm
8	8159013	Housing	4-POLE
9		Adapter	
10	8155901	Cable terminal	
11	8155900	Cable seal	
12	8155899	Sealing plug	
13	1618737	Switch	7-POLE
14	853521	Cable terminal	
15	853498	Receptacle housing	3-pole
16	873632	Protecting sleeve	
17	9148263	Housing	42-POLE
18	970772	Cable seal	1,2-2,1sq.mm BLUE
	9148107	Seal	1,4-2,0 GREY
	970773	Cable seal	2,2-3sq.mm WHITE
19	9148135	Switch	1,6x0,5-1sq.mm
	970778	Cable terminal	4,8/2,8x0,5-1sq.mm
	970779	Cable terminal	4,8/2,8x1,1-2,5sq.mm
20	8142100	Adapter	
21	977532	Housing	24-POLE BLACK
22	977897	Housing	24-POLIG RED
23		• Seal	
24	977533	Insulator retainer	
25	977539	Cable terminal	
26	1079234	Seal	BROWN
27	977540	Cable seal	gray
28	874146	Cable terminal	
29	874142	Housing	8-POLE
30	874144	Wedge	ORANGE
31	874145	Wedge	ORANGE
32	874143	Housing	8-POLE
33	874147	Cable terminal	
34	874271	Resistor, end terminator	
35	874112	Connector unit	From control panel to engine. 23-pole.
36	874092	Connector unit	From engine to control panel. 23-pole.

D16C-A MG



23385

D16C-A MG

REF	PART NO.	QTY	DESCRIPTION	NOTES
1	866461	4	Vibration damper	
2	945407	8	Flange nut	
3	3828447	1	Engine heater	220-240V, 750W
	3828643	1	Engine heater	220-240V, 2000W
4	943369	1	Rubber hose	19.5x4mm, 2000mm
5	943474	4	Hose clamp	
6	1547252	1	Sealing ring	
7	982254	1	Nipple	
8	946440	1	Flange screw	
9	3886698	1	Nipple	
10	957185	1	Gasket	
11	3886065	1	Hose connection	

D16C-A MG

REF	PART NO.	QTY	DESCRIPTION
1	3886756	1	Overhaul kit, cylinder head
	20750913	6	• Sleeve
	85110558	1	• Copper sleeve kit
	20513285	12	• Exhaust valve
	20739057	12	• Inlet valve
	8170995	48	• Valve collet
	20562837	24	• Valve guide
	20916916	1	• Valve guide
	20709467	12	• Valve seat
	20564028	12	• Valve seat
	3886757	1	Cylinder head gasket, cylinder head
	20725045	1	• Cylinder head gasket
	864859	1	• Gasket
	3812484	2	• O-ring
	948888	1	• O-ring
	3886758	1	Gasket kit, intake and exhaust manifold
	20744865	6	• Gasket
	1161231	1	• Sealant
	3812484	2	• O-ring
	21352841	6	• Gasket
	3886759	1	Repair kit, sea water pump HC
	11013	2	• Ball bearing
	3583605	5	• Screw
	825735	1	• Lock ring
	3587882	1	• Sealing
	847230	2	• Lock ring
	3829315	1	• Sealing ring
		1	• Washer
	812964	1	• Deflector
	941914	1	• Spring washer
	3888477	1	Repair kit, sea water pump KC
	11013	2	• Ball bearing
	3583604	4	• Hexagon screw
	3587882	1	• Sealing
	825735	1	• Lock ring
	847230	2	• Lock ring
	941914	1	• Spring washer
	3883926	1	• Sealing
	3887939	1	Connector kit, turbo
	864859	1	• Gasket
	944126	4	• O-ring
	1547255	1	• Sealing ring
	976971	3	• O-ring
	976971	2	• O-ring
	469601	1	• Sealing ring

DESCRIPTION	SEE SEC.	NOTES
Cylinder Head	9833	D16C-A MG, D16C-A MG RC
Valve Mechanism	9834	D16C-A MG, D16C-A MG RC
Valve cover	9843	D16C-A MG, D16C-A MG RC
Cylinder Block	9844	D16C-A MG, D16C-A MG RC
Flywheel Housing	9857	D16C-A MG, D16C-A MG RC
Timing Gear	9858	D16C-A MG, D16C-A MG RC
Camshaft	9861	D16C-A MG, D16C-A MG RC
Crank Mechanism	21348	D16C-A MG, D16C-A MG RC
Engine Mounting and Frame	21315	D16C-A MG
Engine brackets, rear	21310	D16C-A MG, D16C-A MG RC
Engine Mounting and Frame	22025	D16C-A MG RC

DESCRIPTION	SEE SEC.	NOTES
Lubricating System	9865	D16C-A MG, D16C-A MG RC
Oil Filter Housing and Oil Filter	6744	D16C-A MG, D16C-A MG RC
Oil Drain Pump and Installation Parts, Engine Mounted	9963	D16C-A MG, D16C-A MG RC
Electric Bilge Pump	21316	D16C-A MG, D16C-A MG RC



DESCRIPTION	SEE SEC.	NOTES
Fuel System	9955	D16C-A MG
Shut-Off Valve	9904	D16C-A MG, D16C-A MG RC
Fuel Pump	9974	D16C-A MG, D16C-A MG RC
Fuel System	22039	D16C-A MG RC
Fuel Cleaner/ Water Separator, twin.	7123	D16C-A MG, D16C-A MG RC
Fuel Filter, Twin	9885	D16C-A MG, D16C-A MG RC
Unit injector	9964	D16C-A MG

DESCRIPTION	SEE SEC.	NOTES
Dry Exhaust Line	9895	D16C-A MG, D16C-A MG RC
Turbocharger	9889	D16C-A MG, D16C-A MG RC
Heat Shield for Turbo	9890	D16C-A MG
Air Filter	9896	D16C-A MG
Air Filter	22197	D16C-A MG RC
Crankhouse Ventilation	22023	D16C-A MG, D16C-A MG RC
Crankhouse Ventilation	9899	D16C-A MG, D16C-A MG RC
Bracket for Crankcase Ventilation and Water Pipe/Pump-Charge Air Cooler	21439	D16C-A MG, D16C-A MG RC
Inlet and exhaust manifolds. SN-1016038366	9888	D16C-A MG
Inlet and exhaust manifolds. SN1016038366-	35828	D16C-A MG

DESCRIPTION	SEE SEC.	NOTES
Belt Guard	22020	D16C-A MG
Belt Guard	22143	D16C-A MG RC
Heat Exchanger, Components	9910	D16C-A MG
Radiator and Fan	22203	D16C-A MG RC
Radiator with installation components	22205	D16C-A MG RC
Central cooling system with installation parts	21312	D16C-A MG
Keel Cooling with installation parts	9946	D16C-A MG
Heat Exchanger With Installation Parts	9905	D16C-A MG
Oil Cooler, Engine	9897	D16C-A MG, D16C-A MG RC
Expansion Tank	9903	D16C-A MG
Expansion Tank with Connection Components	22291	D16C-A MG RC
Protection Cover for Expansion Tank	9915	D16C-A MG
Flexible Water Connection, Cooling Water	9989	D16C-A MG
Water Pump and Installation Components	9916	D16C-A MG
Water Pump and Installation Components	22133	D16C-A MG RC
Belt Transmission	9994	D16C-A MG
Belt Transmission	22120	D16C-A MG RC
Charge Air Cooler	9892	D16C-A MG, D16C-A MG RC
Sea Water Pump for Keel Cooling	9908	D16C-A MG
Sea Water Pump for Heat Exchanger	9906	D16C-A MG
Sea Water Pump for Heat Exchanger, Components	9907	D16C-A MG
Sea Water Pump for Keel Cooling, Components	9909	D16C-A MG
Hot Water Outlet	9992	D16C-A MG

DESCRIPTION	SEE SEC.	NOTES
Alternator	10016	D16C-A MG
Starter Motor	6884	D16C-A MG, D16C-A MG RC
Air Starter and Installation Components	21311	D16C-A MG, D16C-A MG RC
Starter Motor, Components	7746	D16C-A MG, D16C-A MG RC
Control Unit and Connector	10019	D16C-A MG, D16C-A MG RC
Electronic Unit	10052	D16C-A MG, D16C-A MG RC
Electrical System	10018	D16C-A MG
Electric System, Classifiable. MCC	21400	D16C-A MG
Electric System, Classifiable. MCC	21401	D16C-A MG
Electrical System	22154	D16C-A MG, D16C-A MG RC
Electric System, Classifiable. MCC	22199	D16C-A MG RC
Connection Box, Classifiable, MCC	21390	D16C-A MG
MCU Display and Power Unit	21391	D16C-A MG
Contacts and Sensors	21308	D16C-A MG
Contacts and Sensors. Shut Down System	22211	D16C-A MG
Contacts and Sensors. Shut Down System	21443	D16C-A MG, D16C-A MG RC
Electrical Materials	7003	D16C-A MG, D16C-A MG RC
Electrical Materials	1963	D16C-A MG, D16C-A MG RC
Electrical Materials	1964	D16C-A MG, D16C-A MG RC
Electrical Materials	1965	D16C-A MG, D16C-A MG RC
Electrical Materials	4415	D16C-A MG, D16C-A MG RC

DESCRIPTION	SEE SEC.	NOTES
Engine Heater, Separately Mounted	10074	D16C-A MG

DESCRIPTION	SEE SEC.	NOTES
Repair Kits	21423	D16C-A MG

REF	DESCRIPTION	SEE SEC.
21	Engine	21
22	Lubricating System	22
23	Fuel System	23
25	Intake and Exhaust System	25
26	Cooling System	26
30	Electrical System	30
90	Miscellaneous Equipment	90
99	Repair Kits	99