



VOLDA

A/S Volda Mek. Verksted
P.O. box 205, N-6101 Volda, Norway

Part list CG 850

V 30153, V 30247

J- 1-

Dato

Sign.

<u>ITEM NO.</u>	<u>ART. NO.</u>	<u>DESCRIPTION</u>	<u>QUANTITY</u>
1		GEARHOUSING	1
2		SERVOMOTOR SHAFT	1
3		SERVOMOTOR PISTON	1
4		BOTTOM S.M. SHAFT	1
5		GEARWHEEL G850	1
7	300684	THRUST PAD FOR TEMP.SENS.	1
8	200507	SLIDE BUSHING	1
9	100289	SLIDE	1
10	200497	BEARINGSH.BOTTOM S.	1
11	200496	BEARING SH.SERVO	1
12	200495	BEARING SH.PRIM	2
13	300244	BUSHING FOR SLIDE ROO	1
14	400444	BUSHING SM.PISTON	1
15	400445	BUSHING SM.PISTON	1
16	400446	BUSHING SM.SHAFT	1
17	400443	BUSHING FOR GUIDE BOLT	1
18	500152	SOCK.SCR.	4
19	301706	PISTON RING	2
20	300266	GUIDE BOLT	1
21	400442	STROKE LIMIT DISC	1
22	300250	GUIDE RING	1
23		FITTED BOLT	7
24		FITTED BOLT	1
25	400622	PACKING RING	1
26	300368	OIL INLET AFT. PRIM	1
27	402336	BRACKET FOR PARKER DUP.FIL	1
28	400486	COVER FOR SEALRING	1
29	300240	THRUST PLATE	1
30	400890	STOP RING AFT	2
31	200498	THRUSTLAMELL	10
32	200499	THRUST PAD	8
33	200543	TELESCOPIC OIL INLET	1
34	300242	THRUST FLANGE	1
35	201791	THRUST PAD	6
36	200532	THRUST PAD	1
37	400879	STOP PAD AFT.	2
39	400440	COVER TOP OF GEARHOUSING	1
40	500331	FITTINGS	4
41	400439	COVER	1
43	200648	COVER FOR PRIM.THRUST	1
44	302095	OIL OISTRIBUTOR	1
45	400600	DIP STICK PIPE	1
46	400601	DIP STICK	1
48	400441	COVER	1
49	400447	SEALING RING	1
51	300113	COVER	1
52		PIPE FROM RESTRUSI VALVE	
53		OPERATING ARM	1
54	500330	FITTINGS	8
56	502479	SPLIT SLEEVE	1
57	500965	HEX.BOLT	2
58	500693	VALVES RHD	2
59	300639	RE-STRU-KO-SI VALVE	1
60	202074	SUCTION FILTER	2



VOLDA

AVS Volda Mek. Verksted
P.O. box 205, N-6101 Volda, Norway

Part list CG 850

V 30153, V 30247

J- 2

Dato

Sign.

<u>ITEM NO.</u>	<u>ART. NO.</u>	<u>DESCRIPTION</u>	<u>QUANTITY</u>
61	502628	DUPLEXFILTER PARKER	1
65	400222	KEY	1
66	500880	ORTLINGH.	1
67	402354	SUCTION PIPE	2
68	500061	PLUGG KONISK BSPT	2
69	300274	OIL SPRYER	1
70	502182	PIPE CLAMP RAPE	1
71	500631	SNAP RING	1
72	500643	SNAP RING	1
73	500640	SNAP RING	2
75	500642	SNAP RING	1
76	500580	SNAP RING	1
77	500584	SNAP RING	1
78	5D2070	PACKING FOR FLANGE	6
79	501896	HEX. BOLT	12
80	502764	HEX. BOLT	8
81	500255	SOCK. SCR.	16
82	500244	SOCK. SCR.	16
83	500206	SOCK. SCR.	16
84	400134	COVER	1
85	501008	HEX. NUT	8
86	500203	SOCK. SCR.	8
87	500185	SOCK. SCR.	4
88	502956	PARALLEL PIN	8
89	502193	PIPECLAMP COVER PLATE	1
91	500968	HEX. BOLT	16
92	502762	PIPE CLAMP	1
93	501873	HEX. BOLT	66
94	502348	LOCK WASHER	16
95	400566	COVER	1
96		LOCK WASHER	12
97	500078	SET. SCREW	1
98	500231	SOCK. SCR.	6
99	501064	PARALLEL PIN	4
100	501062	PARALLEL PIN	1
101	401342	KEY	1
102	500932	HEX. BOLT	2
104	500703	VENTIL	1
105	500326	FITTINGS	2
107	500382	FITTINGS	1
108	401709	SIGN.	1
109	500325	FITTINGS	2
110		LOCK NUT	8
112	501647	AIRFILTER KNECHT	1
113	501599	ROT. SH. SEAL	2
115	501563	U-GASCET	1
116	500808	STRIPPER	1
117	500862	O-RING	1
118	500870	O-RING	1
119	502400	LUBRICATING NIPPLE	1
123	500358	FITTINGS	1
124	502069	SUCT. FLANGE	1
127	500319	FITTINGS	2
129	500347	FITTINGS	1

32-702-200-E-
50-S-D-1-02



VOLDA

A/S Volda Mek. Verksted
P.O. box 205, N-6101 Volda, Norway

Part list CG 850

V 30153, V 30247

J- 3

Date

Sign.

<u>ITEM NO.</u>	<u>ART. NO.</u>	<u>DESCRIPTION</u>	<u>QUANTITY</u>
131		DRAIN PIPE FROM VALVE	
132		PIPE FROM RESTRUSIVALVE	
134		SUCTION PIPE FROM FILTER	
135	500360	FITTINGS	3
137	502353	PIPE CLAMP	5
138	502352	PIPE CLAMP	1
140	500308	FITTINGS	1
142	500306	FITTINGS	1
143	500318	FITTINGS	1
145		LUB.PIPE PRIM.THRUST	
150	500602	SNAP RING	1
151	401470	FLANGE	4
152	501893	HEX.BOLT	6
153	500373	FITTINGS	1
155	502955	PIPE	
156	502354	PIPE CLAMP	1
157		PLUG CONICAL	1
158	500324	FITTINGS	2
159		FITTINGS	2
161	500320	FITTINGS	1
165	500357	FITTINGS	1
166	500379	FITTINGS	1
167	500175	SOCK.SCR.	4
169	502928	FITTINGS	1
170	500366	FITTINGS	1
171	500317	FITTINGS	1
172	500660	FITTINGS	2
173	500655	FITTINGS	1
176		ASSEMBLY PLATE	1
177		PIPE	1
178		PIPE	1
179		PIPE	1
180		PIPE	1
182	500302	FITTINGS	1
185	500303	FITTINGS	1
186		FITTINGS	1
187		PIPE	1
188	502345	LOCK WASHER	6
191	402076	POCKET	1
192	502070	PACKING	1
193	501423	LEVEL SWITCH	1
194	501857	HEX BOLT	4



VOLDA

A/S Volda Mek. Verksted
P.O. box 205, N-6101 Volda, Norway

POWER TAKE OUT PF 700/1CC

J-

Date

Sign.

<u>Item. no.</u>	<u>Art. no.</u>	<u>Description</u>	<u>Quantity</u>
1	101592	GEARHOUSING PF700	1
2	101632	INPUT SHAFT PF700	1
3	202061	INTERMEDIATE SHAFT PF700/1CC	1
4	202062	INTERM. PTO SHAFT PF700/1CC	1
5	202063	OUTPUT SHAFT PF700/1CC	1
6	202020	GEARWHEEL PF700 1:2.102	1
7	202064	PTO CLUTCH HOUSING PF700	1
8	302074	COVERPIPE PTO-SHAFT PF700/1CC	1
9	302075	OIL INLET RING PF700/1CC	1
10	301331	OIL INLET HOUSING PF700	1
11	301332	LINER FOR OIL INLET PF700	1
12	201557	CLUTCH HOUSING PF700	1
13	300352	COVER INPUT SHAFT G750	1
14	401676	PACKING RING G750/850/950	1
15	302068	MOUNTING PLATE PUMP PF700/1CC	1
16	300996	FLEXIBLE COUPLING	1
17	402345	DISTANCE RING PF 700/1	1
18	402344	DISTANCE RING PF 700/1	1
19	401555	DISTANCE RING PF700	1
20	402346	DISTANCE RING PF 700/1	1
21	402035	DISTANCE RING PF600/1	1
22	401554	DISTANCE RING PF700	1
23	402347	KEY	1
24	400222	KEY	1
25	402352	KEY	1
26	502046	SPHER. ROLL. B.	1
27	502045	SPHER. ROLL. B.	1
28	500530	SPHER. ROLL. B.	1
29	500516	SPHER. ROLL. B.	1
30	500515	SFÆR. RULLELAGER	1
31	500514	SPHER. ROLL. B.	1
32	502913	SPHER. ROLL. B.	1
33	500880	CLUTCH	1
34	502831	CLUTCH	1
35	501255	GEAR PUMP	1
36	502037	O-RING	1
37	501516	ROT. SHAFT. SEAL	1
38	500595	SNAP RING	2
39	501073	PARALLEL PIN	6
40	500160	SOCK. SCR.	6
41	400599	LOCKNUT	1
42	401560	NUT	1
43	500173	SOCK. SCR.	6
44	502834	SET. SCREW	2
45	500230	SOCK. SCR.	32
46	502946	SOCK. SCR.	12
47	500206	SOCK. SCR.	14
48	500193	SOCK. SCR.	12
49	500953	HEX. BOLT	20
50	500061	PLUG CONICAL	2
51	501872	HEX. BOLT	10
52	502943	SET. SCREW	3
53	500244	SOCK. SCR.	16
54	500968	HEX. BOLT	4
55	502956	PARALLEL PIN	8
56	500796	O-RING	3
57	500597	SNAP RING	2



VOLDA

A/S Volda Mek. Verksted
P.O. box 205, N-6101 Volda, Norway

POWER TAKE OUT PF 700/1CC

J-

Dato

Sign.

<u>Item</u>	<u>Art. no.</u>	<u>Description</u>	<u>Quantity</u>
58	500602	SNAP RING	1
59	502495	SPLIT SLEEVE	1
60	501040	SPLIT SLEEVE	1
61	401559	PIPE PF700	1
62	400861	DISTANCE PIPE	1
63	202065	LAGER BAK PTO ARR. PF700	1
64	400134	COVER G600	1
65	501056	PARALLEL PIN	2
66	500068	PLUG CONICAL	1
67	402350	KEY	1
68	400922	KEY	1
69	402351	KEY	1
70	501647	AIRFILTER	1
71	401258	COVER G500	2
72	501897	HEX. BOLT	20
73	202028	RE-KO VALVE	1
74	402139	SUCTION FLANGE SAE	1
75	402093	SAE FLANGE	1
76	502068	PACKING	0
77	500748	O-RING	1
78	500262	SOCK. SCR.	4
79	502065	SOCK. SCR.	4
80	502069	SUCT. FLANGE	2
81	502070	PACKING FOR FLANGE	1
82	501008	HEX. NUT	4
83	400990	NOZZLE	2
84	500860	O-RING	3
85	301264	FLEXIBLE HOSE	1
86	500306	FITTINGS	4
87	502675	FITTINGS	1
88	500308	FITTINGS	1
89	502708	FITTINGS	2
90	401613	NIPPLE W/NOZZLE	6
91	401282	NIPPLE W/NOZZLE	1
92	401007	NIPPLE W/NOZZLE	1
93	500316	FITTINGS	3
94	501899	FITTINGS	2
95	500655	FITTINGS	2
96	500320	FITTINGS	1
97	500357	FITTINGS	4
98	500356	FITTINGS	1
99	500355	FITTINGS	1
100	500321	FITTINGS	2
101	500661	FITTINGS	2
102	500659	FITTINGS	4
103	502686	FITTINGS	1
104	500350	FITTINGS	1
105	502684	FITTINGS	2
106	500349	FITTINGS	1
107	500079	SET. SCREW	1
108	500083	SET. SCREW	1
109	501703	PREC. TUBES	1220
110	501696	PREC. TUBES	5810
111	501697	PREC. TUBES	9216
112	501698	PREC. TUBES	4660
113	502957	PREC. TUBES	2210
114	501700	PREC. TUBES	1140
115	501882	ST. TUBE	1900



VOLDA

A/S Volda Mek. Verksted
P.O. box 205, N-6101 Volda, Norway

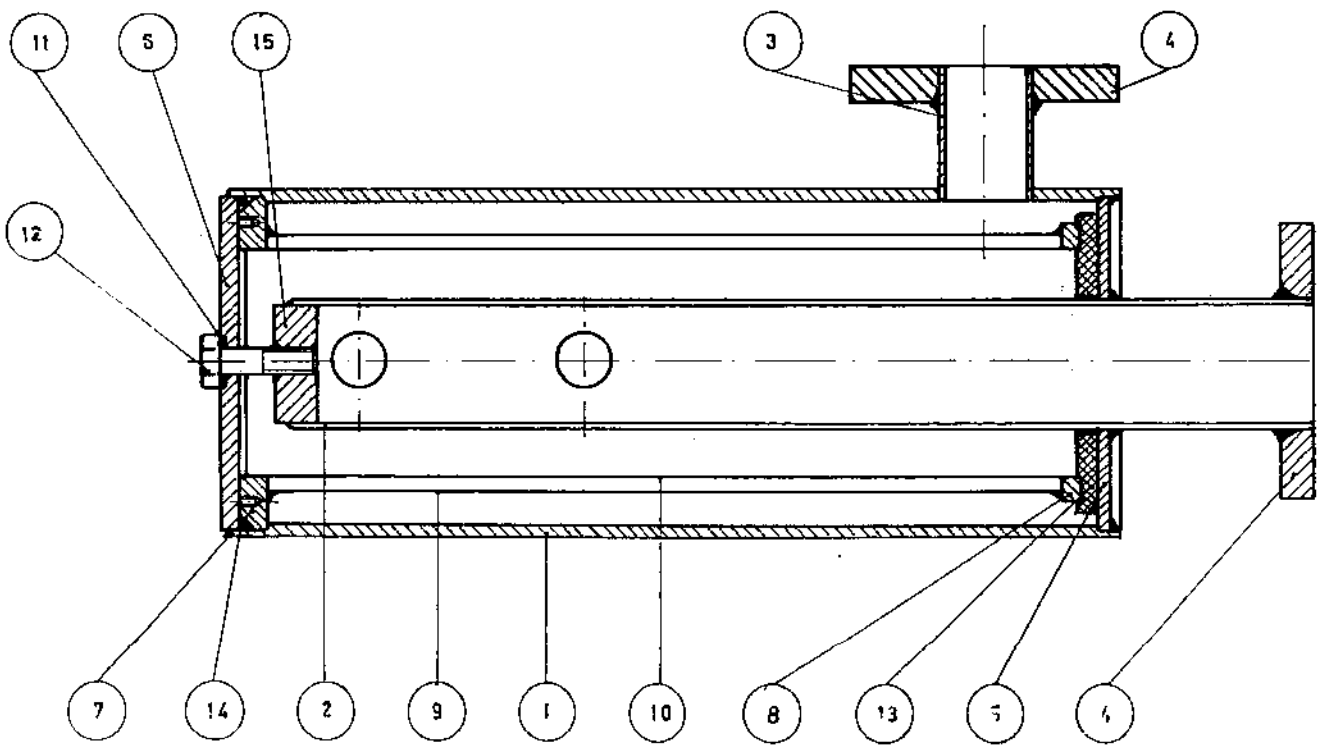
POWER TAKE OUT PF 700/1CC

J-

Dato

Sign.

<u>Item</u>	<u>Art. no.</u>	<u>Description</u>	<u>Quantity</u>
116	501902	SEAMLESS STEELB.	4
117	500303	FITTINGS	1
118	500325	FITTINGS	1
120	402410	CONNECTING PLATE	1
121	501442	BALL VALVE	5
122	500318	FITTINGS	6
123	502760	FITTINGS	1
124	500291	FITTINGS	1
125	502944	SOCK. SCR.	18
126	502181	PIPE CLAMP RAPE	1
127	502514	HEX. BOLT	2
128	502174	PIPE CLAMP RAP	1
129	503134	HEX. BOLT	2
130	502353	PIPE CLAMP	6
131	502354	PIPE CLAMP	11
132	500373	FITTINGS	1
133	500674	FITTINGS	1
134	500360	FITTINGS	2
135	600157	DRAIN. TUBES	500



**VOLDA**A/S Volda Mek. Verksted
P.O. box 205, N-6101 Volda, Norway

G 750

Suction filter

Part List(VS 20535)
V 40007

J-

Dato

Sign.

<u>Item</u>	<u>No.off</u>	<u>Description</u>
1	1	Pipe
2	1	Pipe
3	1	Pipe
4	2	Flange
5	1	Bottom
6	1	Cover
7	1	Pipe
8	1	Pipe
9	1	Perforated plate
10	1	Filter gauze
11	1	Packing disc
12	1	Hex head screw
13	1	Feltpacking
14	1	O-ring
15	1	Holdring for cover



VOLDA MEK. VERKSTED

MOTORFABRIKK

6101 Volda - Norway

RE-STRU-KO-SI VALVE

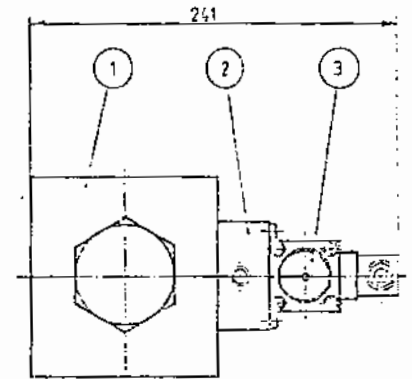
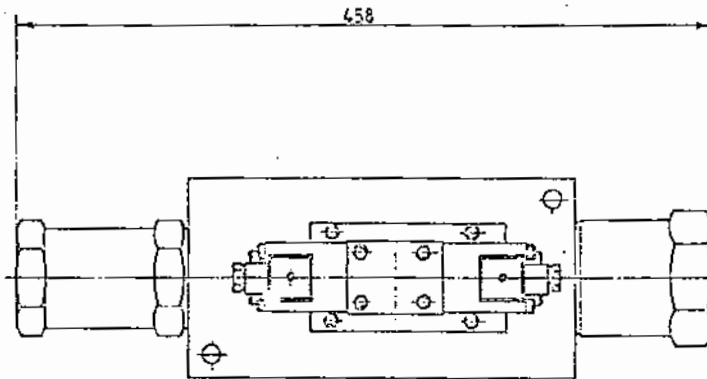
RE-STRU-KO-SI VALVE

VS 30639

J-17a

Date 3/

Sign.





VOLDA

A/S Volda Mek. Verksted
P.O. box 205, N-6101 Volda, Norway

RE-STRU-KO-SI VALVE
(VS 30639) V 40016

J-

Dato

Sign.

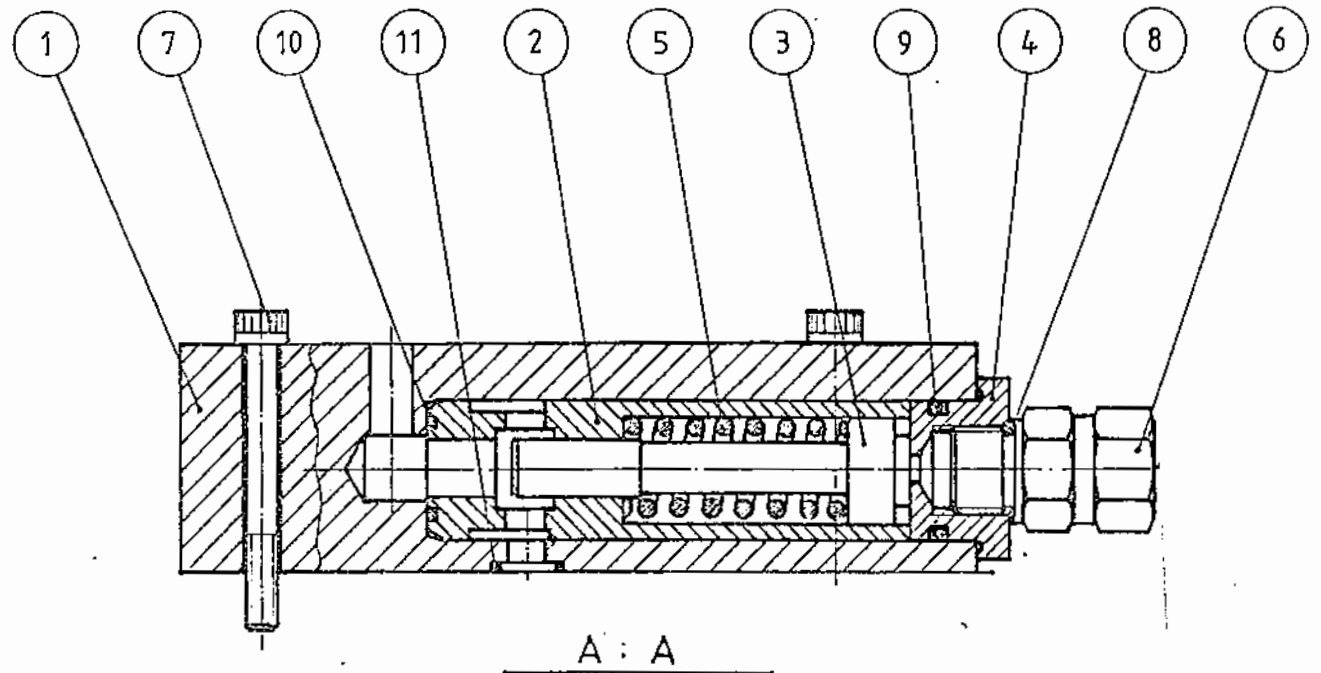
<u>Pos.</u>	<u>Ant.</u>	<u>Gjenstand</u>
1	1	Stru-si-valve
2	1	Reduction valve
3	1	Clutch valve



1/8" VALDA MEK. VÆRKSTED
MOTORFABRIKK
6101 Valda - Norway

REDUCTION VALVE
REDUKSJONSVENTIL
VS: 30631

J. 107
Dato 13/3-85
Sign.



**VOLDA**A/S Volda Mek. Verksted
P.O. box 205, N-6101 Volda, NorwayREDUCTION VALVE
(VS 30631) V 40018

J-

Date

Sign.

Pos.	Ant.	Gjenstand.
---	----	-----
1	1	Reduction valve housing
2	1	Bushing
3	1	Piston
4	1	Bottom
5	1	Spring
6	1	Nipple
7	4	Socketscrew
8	1	Washer
9	1	O-ring
10	1	O-ring
11	1	O-ring



VOLDA MEK. VERKSTED

MOTORFABRIKK

6101 Volda - Norway

SAFETY VALVE

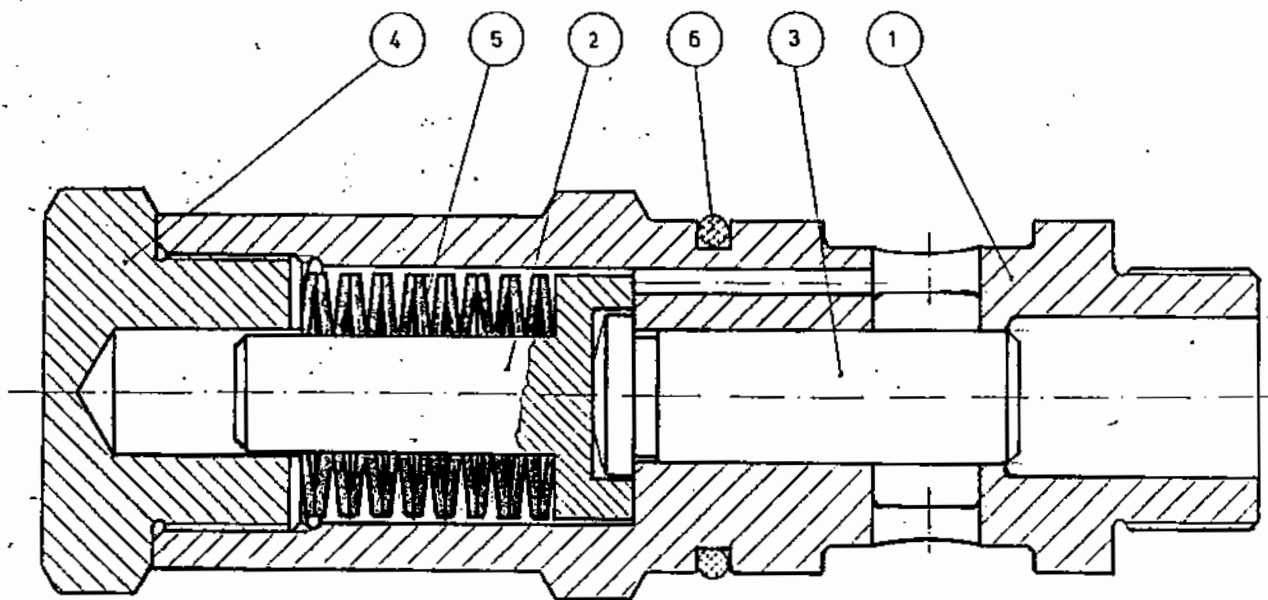
SIKKERHETSVENTIL

VS 30633

J-85

Dato 3-3-85

Sign.



V 4001.7



VOLDA

A/S Volda Mek. Verksted
P.O. box 205, N-6101 Volda, Norway

SAFETY VALVE

VS 30633 V 40017

J-

Dato

Sign.

<u>Pos.</u>	<u>Ant.</u>	<u>Gjenstand.</u>
1	1	Housing
2	1	Spring set
3	1	Valve
4	1	Plug
5	20	Spring disc
6	1	O-ring

**VOLDA**A/S Volda Mek. Verksted
P.O. box 205, N-6101 Volda, Norway

STRU-SI-VALVE

(VS 20904) V 30163

J-

Dato

Sign.

<u>Pos.</u>	<u>Ant.</u>	<u>Gjenstand.</u>
1	1	Safety valve
2	1	Housing
3	1	Spring housing
4	1	Bushing
5	1	Spring
6	1	Choke valve
7	1	Piston
8		
9	1	O-ring



VOLDA

A/S Volda Mek. Verksted
P.O. box 205, N-6101 Volda, Norway

Part list

Ortlinghouse clutch-84-
V 30195 002

J- 24

Date

Sign.

<u>Pos no</u>	<u>Description</u>
1	Inner half
2	Thrust washer
3	Screw
4	Outer friction plate
5	Inner friction plate
6	Thrust spring
7	" "
8	Piston ring outer
9	" " inner
10	Piston
11	Cylinder
12	Plug
13	Gascet
14	Screw
15	Cylindrical pin
16	Outer half
17	Screw



VOLDA

A/S Volda Mek. Verksted
P.O. box 205, N-6101 Volda, Norway

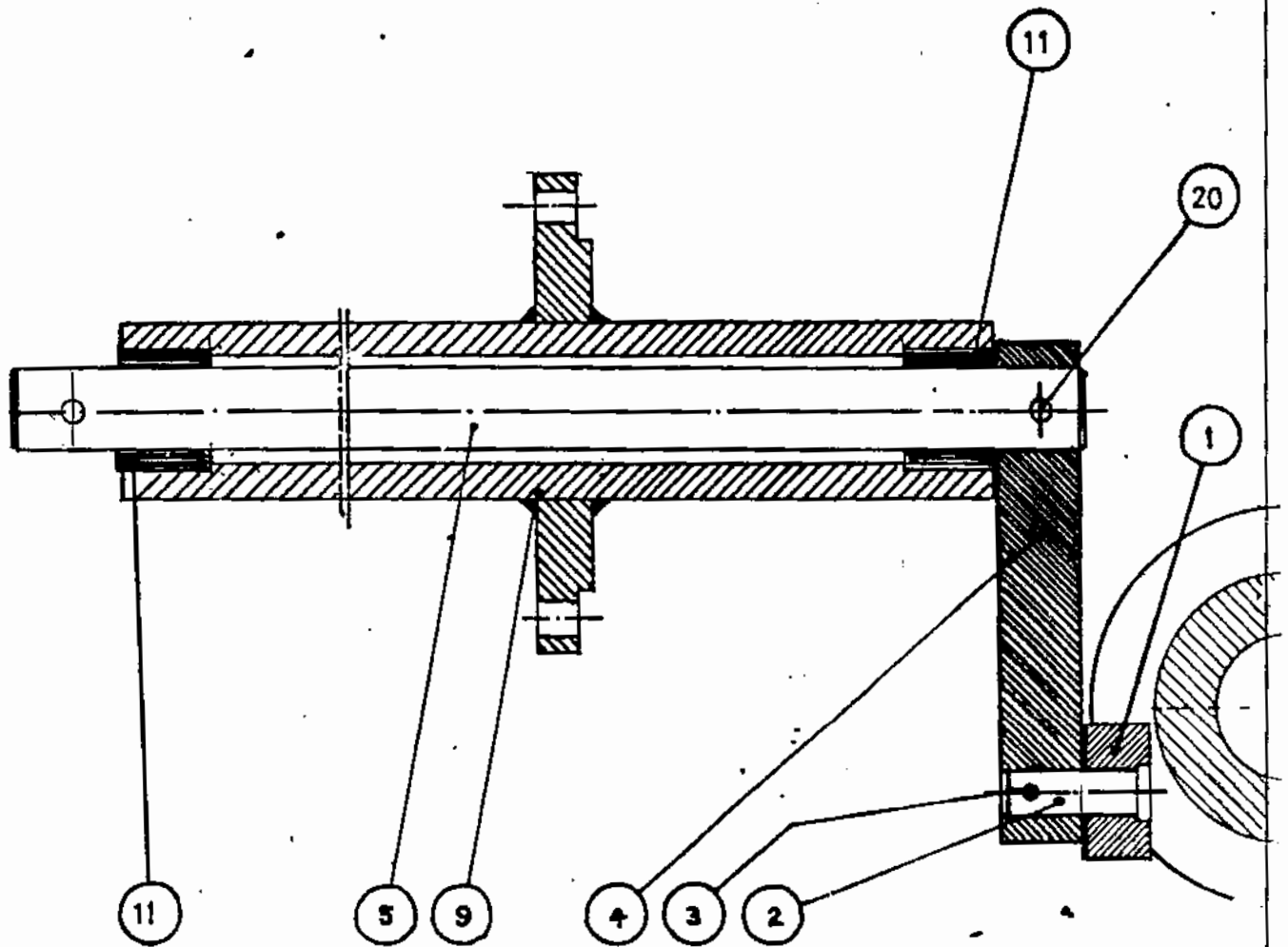
G 750 - 850

MANØVERAKSEL

J-10

Dato

Sign.



V 40019



VOLDA

A/S Volda Mek. Verksted
P.O. box 205, N-6101 Volda, Norway

G 750
Control shaft
Part list

J-

Date

Sign.

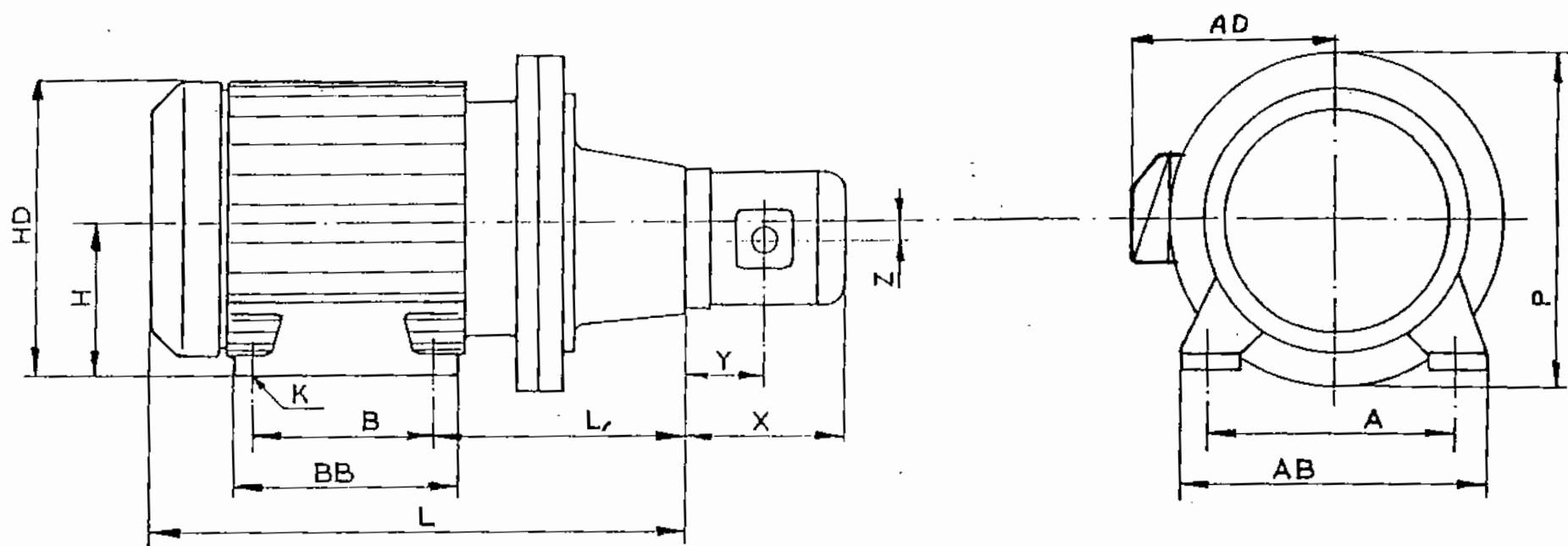
Pos. ----	Ant. ----	Part ----
1	1	Slide block
2	1	Bolt for slide block
3	1	Connex pin
4	1	Lever
5	1	Operating shaft
9	1	End shield bearing
11	2	Bearing
20	2	Connex pin

A/S VOLDA MEK. VERKSTED


SPARE LIST PUMPUNIT

QUT.	SPECIFICATION	POS. NO.	REMARKS
1	El. motor Bauknect YA180/4A-11 18,5kW, B35 1450 o/min, 380/660/3/50	1	
1	Bell Housing P350/5/27	2	
1	Coupling Rotex 42/55	3	
1	Pump Tyrone 20.400 C30	4	
1	Flange, outlet 11/4" SAT 3000	5	
1	Flange, inlet 2" SAE 3000	6	
		7	
		8	
		9	

REF. NO.: 106
ART. NO.: 502927
DATE : 9/5-90
SIGN. : H.H.



PUMPE	MOTOR	A	AB	B	BB	H	HD	K	L	L ₁	P	X	Y	Z	AD
TYRONE 20.400 C5D	BALKNECHT YA 180/4A-11	279	345	241	292	180	386	15	674	311	350	190	110	25,4	230


ATLAS SJONG HYDRAULIKK A/S
 Postboks 230, 1401 SKI
 Besøksadr.: Heugenv. 2, Ski
 Telf.: 11145 eller n
 TF: 1091 94 03 40 Tefax: 1091 94 59 70

PUMPE/MOTOR ENHET

REF. NO. 106
 ART. NO. 502927



VOLDA
 AS TILBEHØR
 AS TILBEHØR

TELEFAX
 Journalnr. (1247/93)

NO. 12 | b. 1

14

Motopedype

M 49 17

Til/ To	Firma/ Company	Bergen Industri and Fishing Corporation.	Mottagers/recepti- ents telefaxno.:
	Addr.		095-34-86371661
	Attn.	Mr. Leszek Sitkowski M.Sc. Eng. M.I. Mar. Eng.	

Fra/ From	Firma/ Company	A/S Volda Mek. Verksted, Volda	Telefax no.:
	Navn/Name	Mr. Harald Fet.	070-79903

Volda, 09.11.93.	Antall sider inkl. denne: Number of pages incl. this one: 1
------------------	--

Sak/Subject:

Duration of clutch plates.

The 3 pcs. clutches in this particular gearboxes are of hydraulic operated multiple disc type with wet plates. Our experience with this type of clutches are very good, and a life time for the plates for above 10 years in service is from our experience quite normal. This is based on normal service conditions without any overloading and unnormal slipping of the disc-pack.

A minimum thickness (wear down-limit) for the clutch plate-pack is for clutch I and II: 161 mm - 11,5 mm = 149,5 mm
 (approx. 1 mm wear for each friction disc).

For clutch III: 99 mm - 9 mm = 90 mm
 (approx. 1 mm wear for each friction disc).

Above is to be used only for your information and can not be considered as an guarantee for the equipment, as this is a part of the contract with Wärtsila.

Best regards
 Volda mek. Verksted

Harald Fet.

Harald Fet.

cc. Wärtsila Spain, Mr. Beotegui.
 and Naval Gijon, Ref. FGM/pv.



VOLDA

A/S Volda Mek. Verkssted
P.O. box 205, N-6101 Volda, Norway

PART LIST . G 750/- 950
Actuator arr.

(V 30271)

J-

Dato

Sign.

<u>Pos. nr.</u>	<u>Number</u>	<u>Description</u>
1	1,0000	AKTUATOR (CRAB 12)
2	1,0000	BRACKET REMOTE CONTROL
3	1,0000	301223 ARM OPERATING HANDLE
4	1,0000	301224 ARM OPERATING SHAFT G750
5	1,0000	FEED BACK ROD
6	1,0000	301986 POINTER PLATE
7	4,0000	500072 SET.SCREW
8	1,0000	502715 HEX.NUT
9	2,0000	500175 SOCK.SCR.
10	4,0000	502374 LOCK WASHER
11	1,0000	501008 HEX.NUT
12	2,0000	501893 HEX.BOLT
13	2,0000	501977 LOCK WASHER
14	4,0000	500953 HEX.BOLT
15	4,0000	501910 HEX.NUT
16	1,0000	501934 UNIBAL LINK
17	1,0000	501933 UNIBAL LINK
18	2,0000	500406 LOCK NUT
19	1,0000	500257 CYL.FITTED BOLTS
20	1,0000	500258 CYL.FITTED BOLTS
21	2,0000	502082 WASHER
22	2,0000	502342 LOCK WASHER